

DHI-ARD1233-W2(868)

Wireless PIR detector



- Pet immunity function.
- Auto temperature compensation.
- 3-level sensitivity adjustment.
- Signal strength detection.
- Low battery alarm.
- Temperature monitoring.
- Frequency hopping function and two-way communication technology ensure communication stability.
- Cloud update and automatic recovery from update failure.

System Overview

Wireless PIR detector is a wireless motion detector that can detect if there is a human moving around the detector. It can detect human or large animals invading the armed area, and provides timely notifications of alarm events, acting as a monitoring mechanism.

Scene

Mainly applied for villas, shops, apartments, etc.

Technical Specification

Port

Indicator Light	1 × green alarm indicator
Button	1 × power button

Function

Tamper Alarm	Yes
Remote Upgrade	Cloud update
Search	Signal strength detection
Test Mode	Yes
Low Battery Alarm	Yes

Wireless

Carrier Frequency	868.0 MHz–868.6 MHz
Transmitter Power(EIRP)	Limit 25mW
Communication Distance	Up to 1,600 m (5,249.34 ft) in an open space
Communication Mechanism	Two-way

Encryption Mode	AES128
Frequency Hopping	Yes

General

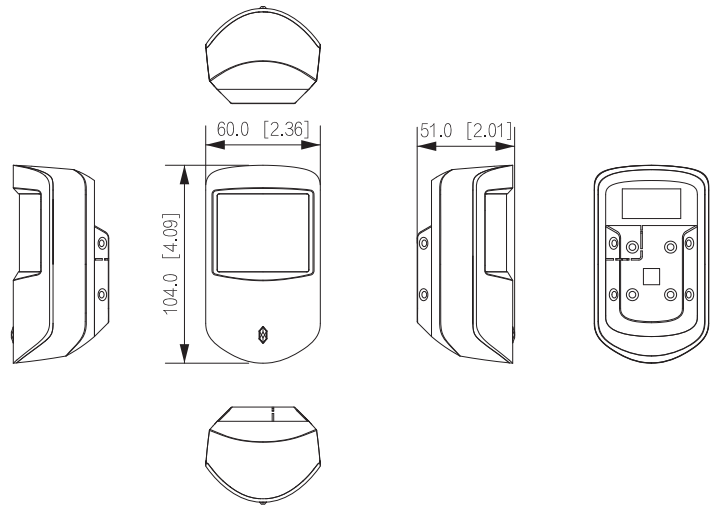
Power Supply	CR123A battery
Power Consumption	Max. 120 mW
Operating Temperature	−10 °C to +55 °C (+14 °F to +131 °F) (indoor)
Operating Humidity	10%–90% (RH).
Dimensions	104.0 mm × 60.0 mm × 50.0 mm (4.09" × 2.36" × 1.97") (L × W × H)
Package Dimensions	135.0 mm × 98.5 mm × 56.8 mm (5.31" × 3.88" × 2.24") (L × W × H)
Installation Mode	Wall mount
Net Weight	100 g (0.22 lb)
Gross Weight	170 g (0.37 lb)
Certifications	CE EN 50131-1:2006+A1:2009+A2:2017+A3:2020 EN 50131-2-2:2017 EN 50131-6:2017 EN 50131-5-3:2017 Security Grade 2 Environmental Class II
Battery Life	4 years
Casing	PC + ABS

Temperature

Measuring Range	−15 °C to +65 °C (+18.8 °F to +149 °F) (indoor)
Measuring Precision	± 1 °C (± 33.8 °F)

Resolution	1 °C (33.8 °F)
Specification	
Detection Mode	PIR
Sensor	Dual-element low-noise PIR sensor
Detection Range	12 m (39.37 ft) (90°) with installation height of 2.2 m (7.21 ft)
Detection Speed	0.3 m/s–3 m/s (0.98 ft/s–9.84 ft/s)
Pet Immunity Level	≤ 18 kg (39.68 lb)
White Light Resistance Level	2000 lx
Sensitivity	3 levels adjustable

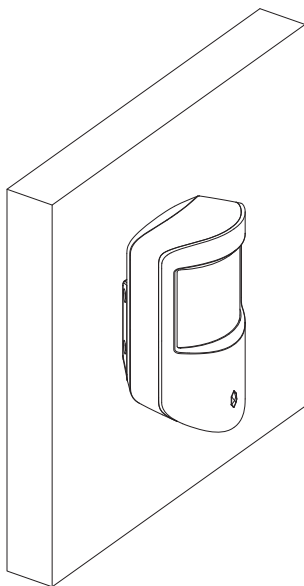
Dimensions (mm[inch])



Ordering Information

Type	Part Number	Description
Wireless PIR detector	DHI-ARD1233-W2(868)	Wireless PIR detector

Installation



Application

