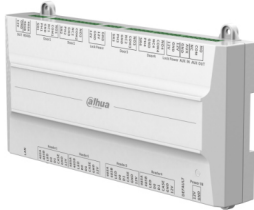


DHI-ASC4204B-S

Dahua Four Door one-way Access Controller



Technical Specification

System

Main Processor	Embedded Processor
Network Protocol	IPv4;UDP;P2P;IPv6;TCP
OSDP Protocol	Yes
Interoperability	ONVIF PROFILE C
SDK	Yes
API	Yes

Basic

Product Type	Controller
Buzzer	Yes
Casing Material	PC+ABS

Function

Verification Method	Card;Password;Fingerprint;Remote;QR Code
Period List	128 groups
Holiday Period	128 groups
Network Update	Yes
First User Unlock	Yes
Remote Verification	Yes
Restricted List/Trusted List	Yes
Peripheral Card Reader	Supports 4-channel RS-485 card readers and 4-channel Wiegand card readers.
Multi-door Interlock	Yes
Multi-user Authentication	Yes
Real-time Monitoring	Yes
Multi-factor Authentication	Yes
Web Configuration	Yes

- Uses Linux system, and the device comes with a webpage.
- Supports 100,000 users, 100,000 passwords, 100,000 cards, 10,000 fingerprints, and 500,000 access records.
- Supports multiple unlock methods including card, password, fingerprint and QR code. You can also combine them to create your own personal unlock methods.
- You can configure scheduled unlock methods.
- Supports RS-485 card reader and Wiegand card reader.
- Offers multiple types of alarms such as duress, tamper, intrusion, unlock timeout, and excessive use of illegal card.
- Supports anti-passback, multi-door interlock, multi-person unlock, first-card unlock and remote verification.
- Supplies power to 4 locks (12 V, 1.2 A or lower) and 4 card readers (12 V, 500 mA or lower) at the same time. You must select the power adapter with sufficient power.
- Supports fire safety linkage alarm. You should connect the device to the alarm input interface and configure the corresponding linkage.
- Supports TCP/IP connection, auto registration, P2P registration and DHCP.
- PoE power supply.
- Compatible with the platforms of SmartPSS Lite, DSS Pro and DMSS.

Unidirectional or Bidirectional	Unidirectional
---------------------------------	----------------

User

User (Card) Type	General user, VIP user, patrol user, guest user, blacklist user, other users, custom user 1 and custom user 2
------------------	---

Capacity

User Capacity	100,000
Fingerprint Capacity	10,000
Card Capacity	100,000
Record Capacity	500,000

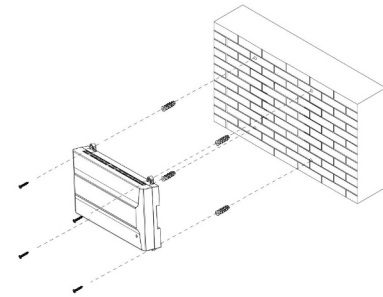
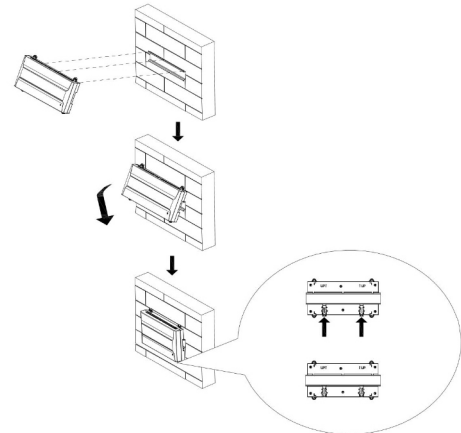
Port

RS-485	5 ports. 4 for card readers, and the remaining 1 is for the extension port.
Wiegand	4-channel input
Network Port	1 RJ-45, 10 Mbps/100 Mbps self-adaptive
Alarm Input	1 channel; expandable to 8 channels when connected to an external alarm module.
Alarm Output	1 channel; expandable to 8 channels when connected to an external alarm module.
Alarm Linkage	Yes

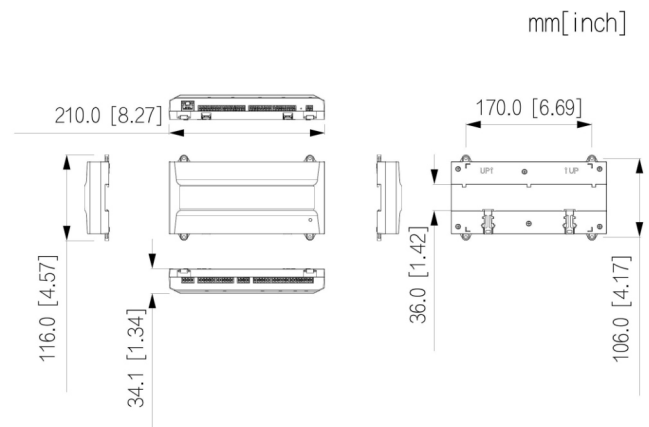
DHI-ASC4204B-S

Exit Button	4 channels
Door Status Detection	4 channels
Lock Control	4 channels
Alarm	
Anti-pass Back	Yes
Tamper Alarm	Yes
Duress Alarm	Yes
Door Sensor Timeout	Yes
Intrusion	Yes
Illegal Card Exceeding Threshold	Yes
Duress Fingerprint	Yes
General	
Power Supply	Standard PoE; 12 VDC 1A (no peripheral devices)
Power Consumption	≤ 3 W; it might alter if other devices are connected
Product Dimensions	210.0 mm × 106.0 mm × 34.1 mm (8.27" × 4.17" × 1.34") (L × W × H)
Packaging Dimensions	255 mm × 166 mm × 87 mm (10.04" × 6.54" × 3.43") (L × W × H, 1 in inner carton) 512 mm × 269 mm × 196 mm (20.16" × 10.59" × 7.72") (L × W × H, carton)
Operating Temperature	-30 °C to +60 °C (-22 °F to +140 °F)
Operating Humidity	5%–95% (RH), non-condensing
Operating Environment	Indoor
Gross Weight	0.54 kg (1.19 lb)
Installation	Surface Mount; Guide Rail Mount

Installation



Dimensions (mm[inch])



Ordering Information

Type	Model	Description
Access Controller	DHI-ASC4204B-S	Dahua Four Door one-way Access Controller