

DAW 130/20 PP

5" 20W WALL OR CEILING MOUNT TWO-WAY LOUDSPEAKER

The DAW 130/20 PP loudspeaker for voice evacuation systems is a 20W waterproof loudspeaker suitable for installation both indoors (in places such as corridors) and outdoors (in places such as sports fields). Its powder-paint coated aluminum enclosure guarantees high resistance to corrosion. Installation is made easy by a bracket for the adjustment of the device angle. EN54-24 certified.



— TECHNICAL SPECIFICATIONS

Main features

- 5" speaker
- Suitable for 70V or 100V lines
- Equipped with internal transformer for adapting the power parameters
- Wall or ceiling mount
- Internal selector to adjust the output power to 5 / 10 / 15 / 20 W
- White colour
- Ceramic connection terminal
- Thermal protection fuse included
- EN54-24 certified

Electrical specifications

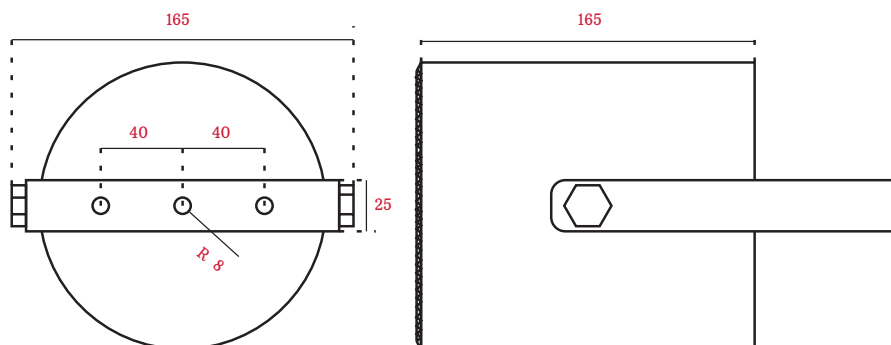
Power (PHC)	5 / 10 / 15 / 20 W (internal selector)
SPL (Sound Pressure Level)	86 dB (1W @ 1m)
Frequency response	95 Hz – 12.9 KHz (-10 dB)
Operating voltage	70 – 100 Vrms

Mechanical specifications

IP protection grade (according to EN54-24 / IP Rating)	33C/54
Enclosure material	Aluminium
Dimensions	Ø 140 x 165 mm
Weight	2.9 Kg
Colour	White RAL 9010
Mounting type	Wall, ceiling



Dimensions



— ORDER CODE

DAW 130/20 PP 5" 20W wall or ceiling mount loudspeaker

inim[®]

Centobuchi, via Dei Lavoratori 10
63076, Monteprandone (AP), ITALY
Tel. +39 0735 705007 _ Fax +39 0735 704912

info@inim.biz _ www.inim.biz

Inim distributor's stamp
and signature