

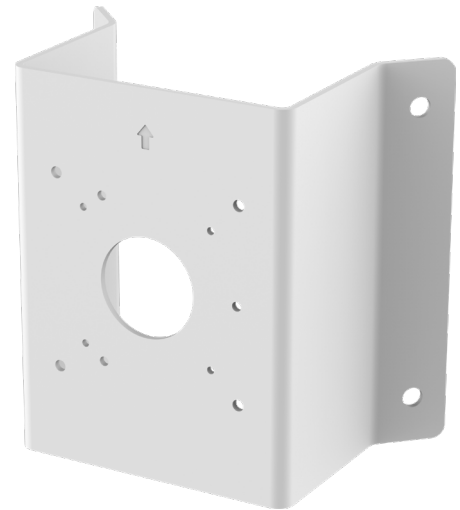
Honeywell

HA35CNM01

35 Series Corner Mount Bracket

The 35 series corner mount bracket is compatible with the following Honeywell accessories:

- HA60WLMB1
- HA35JCBM01
- HA35JCBHA1
- HA35JCBHBA
- HA35JCBHBB
- HA35JCBHDV
- HA35JCBHDF
- HA60BB1
- HA60JCBH1



The following accessories are provided along with the package:



x4



x1



x4



x4

M6 x 16mm

S5.0

M6 x 60mm

M4 x 10mm



x4



x4

M5 x 16mm

Only for HA60BB1

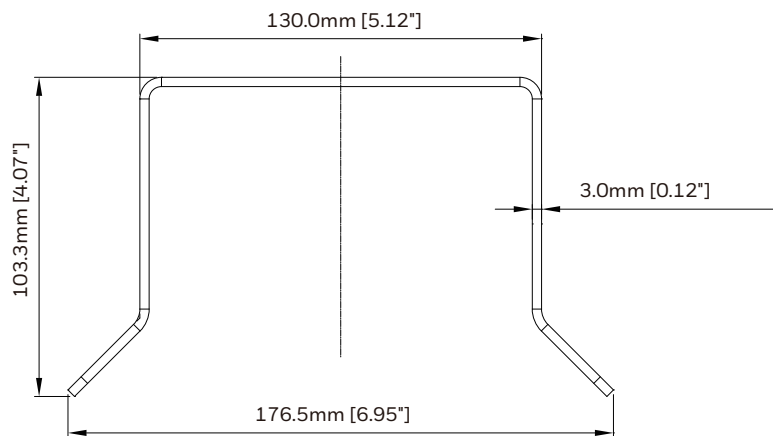
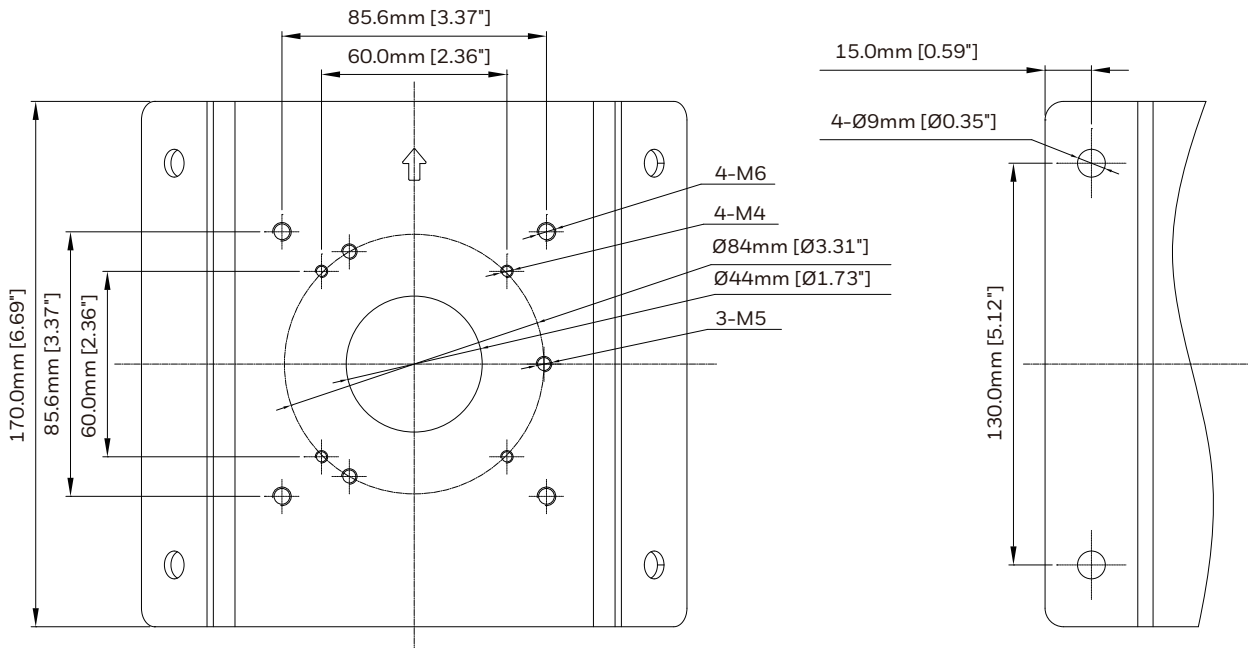
Specifications

PARAMETER	
Material	Aluminum
Color	RAL 9003
Dimensions	170.0 mm x 176.5 mm x 103.3 mm (6.69" x 6.95" x 4.07")
Maximum Load Capacity	4 kg (8.8 lb)
Product Weight	0.5 kg (1.1 lb)
Package Weight	0.62 kg (1.37 lb)

Installation Notes

- The surface must be capable of supporting at least three times (3x) the total weight of the camera and the mount.

Dimensions



Honeywell

buildings.honeywell.com/security
+1 800 323 4576 (North America only)
Document 800-35IS01-Rev A-09/2024