



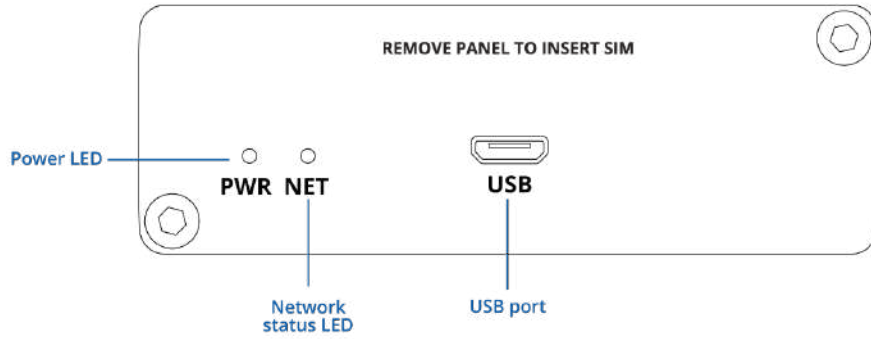
# TRM250

v1.0

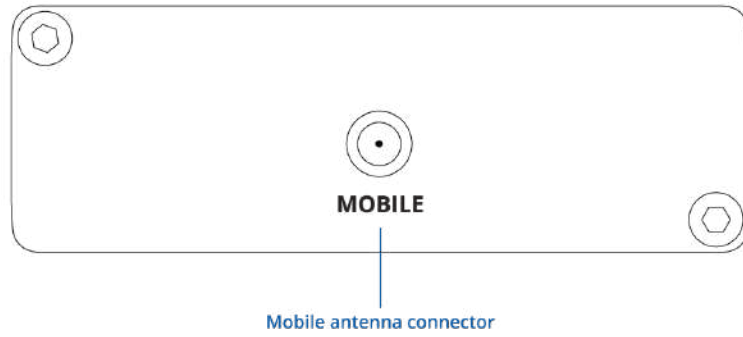


## HARDWARE

### FRONT VIEW



### BACK VIEW



## FEATURES

### Mobile

<b>Mobile module</b>	4G LTE Cat M1 up to 375 DL/375 UL kbps; Cat NB1 up to 32 DL/70 UL kbps; 2G up to 296 DL/ 236.8 UL kbs
----------------------	---

<b>3GPP Release</b>	Release 12
---------------------	------------

### Power

<b>Connector</b>	microUSB
------------------	----------

<b>Input voltage range</b>	5V - powered via microUSB
----------------------------	---------------------------

<b>Power consumption</b>	3.6 W Max
--------------------------	-----------

### Physical Interfaces

<b>Status LEDs</b>	1 x Power LED, 1 x Network LED
--------------------	--------------------------------

<b>SIM</b>	1 x SIM slot (Mini SIM – 2FF), 1.8 V/3 V
------------	--

<b>Power</b>	1x microUSB
--------------	-------------

<b>Antennas</b>	1 x SMA for LTE
-----------------	-----------------

### Physical Specification

<b>Casing material</b>	Aluminium housing
------------------------	-------------------

<b>Dimensions (W x H x D)</b>	74.5 x 25 x 64.5 mm
-------------------------------	---------------------

<b>Weight</b>	130 g
---------------	-------

<b>Mounting options</b>	DIN rail, wall mount, flat surface (all require additional kit)
-------------------------	---

### Operating Environment

<b>Operating temperature</b>	-40 °C to 75 °C
------------------------------	-----------------

<b>Operating humidity</b>	10% to 90% non-condensing
---------------------------	---------------------------

<b>Ingress Protection Rating</b>	IP30
----------------------------------	------

**TRM SOFTWARE**

---

<b>Management Software</b>	Windows Connection Manager (NDIS driver)
<b>USB Driver</b>	Windows 7/8/8.1/10, Windows CE 5.0/6.0, Linux 2.6/3.x/4.1~4.14, Android 4.x/5.x/6.x/7.x/8.x
<b>RIL Driver</b>	Android 4.x/5.x/6.x/7.x/8.x
<b>NDIS Driver</b>	Windows 7/8/8.1/10
<b>Gobinet Driver</b>	Linux 2.6/3.x/4.1~4.14
<b>Linux Driver</b>	3.x (3.4 and later)/4.1~4.14

**Regulatory & Type Approvals**

---

<b>Regulatory</b>	CE, UKCA, EAC, UCRF, Kenya
-------------------	----------------------------

**EMC Emissions & Immunity**

---

<b>Standards</b>	Draft EN 303 446-1 V1.1.0
<b>ESD</b>	EN 61000-4-2:2009
<b>Radiated Immunity</b>	EN IEC 61000-4-3:2006 + A1:2008 + A2:2010

**RF**

---

<b>Standards</b>	ETSI EN 301 511 V12.5.1
	ETSI EN 301 908-1 V13.1.1
	ETSI EN 301 908-13 V13.1.1

**Safety**

---

<b>Standards</b>	<b>CE:</b> EN 62368-1:2014 + A11:2017, EN 62311:2008
------------------	--

## ORDERING

### STANDARD PACKAGE\*



- TRM250
- 1x [Mobile antenna \(swivel, SMA male\)](#)
- [Micro-USB cable \(0.8 m\)](#)
- 1x hex key
- QSG (Quick Start Guide)
- Packaging box

\*Standard package contents may differ based on standard order codes.

For more information on all available packaging options – please [contact us](#) directly.

### CLASSIFICATION CODES

**HS Code:** 851762

**HTS:** 8517.62.00

### AVAILABLE VERSIONS

TRM250 0\*\*\*\*\*  
Global<sup>1</sup>

**4G (LTE-FDD):** B1, B2, B3, B4, B5, B8, B12, B13, B18,  
B19, B20, B26, B28

**4G (LTE-TDD):** B39 (for Cat M1 only)

**2G:** B2, B3, B5, B8

TRM250000000 / Standard  
package

TRM250000100 / Mass  
packing code

The price and lead-times for region (operator) specific versions may vary. For more information please [contact us](#).

1 - Regional availability - excluding Russia, Belarus & Iran

## TRM250 SPATIAL MEASUREMENTS

### PHYSICAL SPECIFICATION

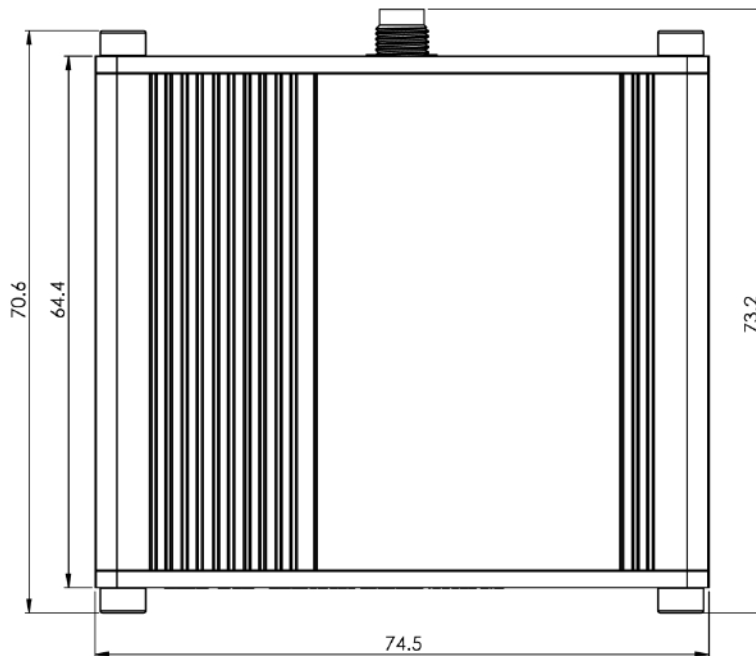
**Device housing\*:** 74.5 x 25 x 64.5 mm

**Box:** 173 x 71 x 148 mm

\*Housing measurements are presented without antenna connectors and screws; for measurements of other device elements look to the sections below.

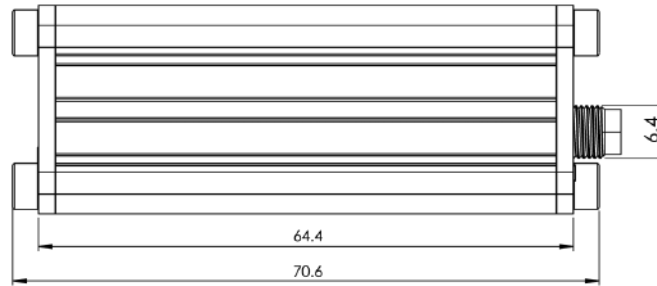
### TOP VIEW

The figure below depicts the measurements of device and its components as seen from the top:

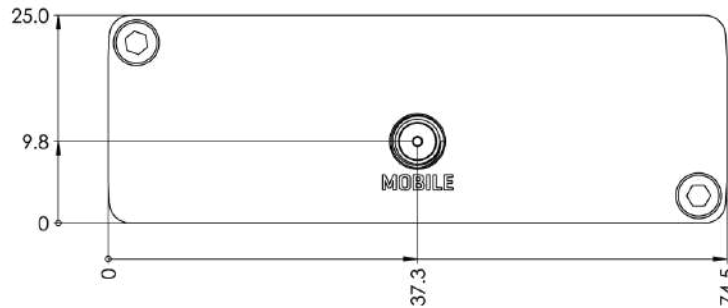


**RIGHT VIEW**

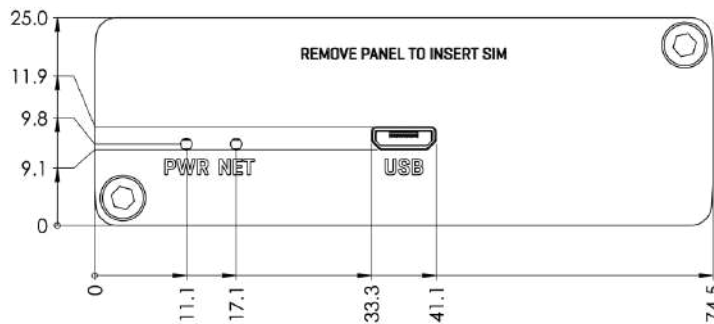
The figure below depicts the measurements of device and its components as seen from the right:


**REAR VIEW**

The figure below depicts the measurements of device and its components as seen from the back panel side:

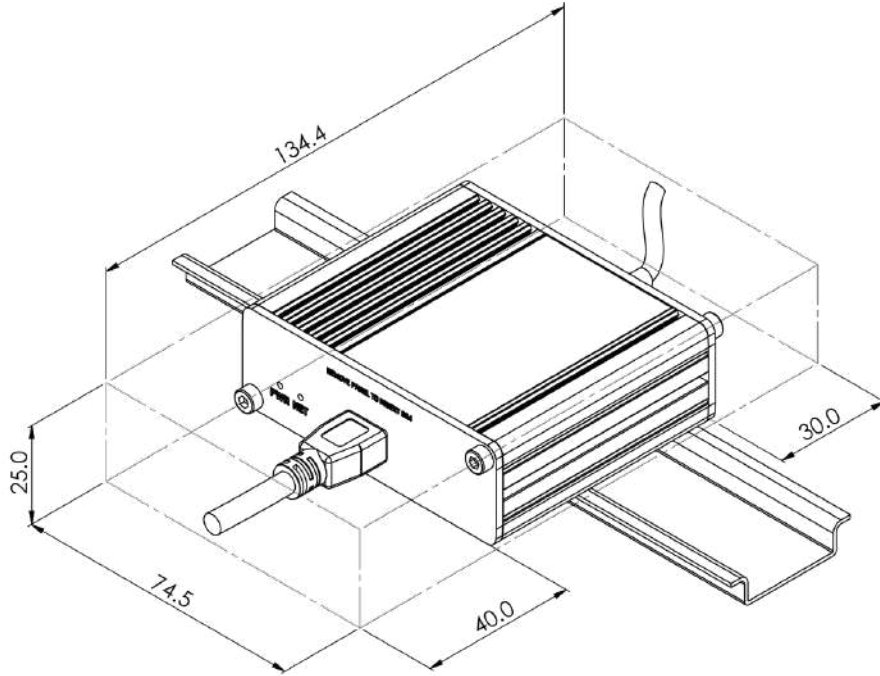

**FRONT VIEW**

The figure below depicts the measurements of device and its components as seen from the front panel side:



**MOUNTING SPACE REQUIREMENTS**

The figure below depicts an approximation of the device's dimensions when cables and antennas are attached:



**DIN RAIL**

The scheme below depicts protrusion measurements of an attached DIN Rail:

