

DH-PFA100

Mount Adapter



- Built of aluminum alloy.
- Matched with particular cameras, beautiful and elegant designed.



Series Overview

The Mounting Bracket works with front-end services, supporting installation methods such as wall mount, pole mount, corner mount and in-ceiling mount. Select brackets are designed to suit complex scenes, making them convenient to use in environments with high temperatures, humidity, frequent vibrations, and in locations that are highly corrosive. These highly reliable brackets are easy to install and use.

Scene

Ideal for mounting cameras, and works in temperatures ranging from -40°C to $+60^{\circ}\text{C}$ (-40°F to $+140^{\circ}\text{F}$) and in environments with a relative humidity of less than 90%.

Technical Specification

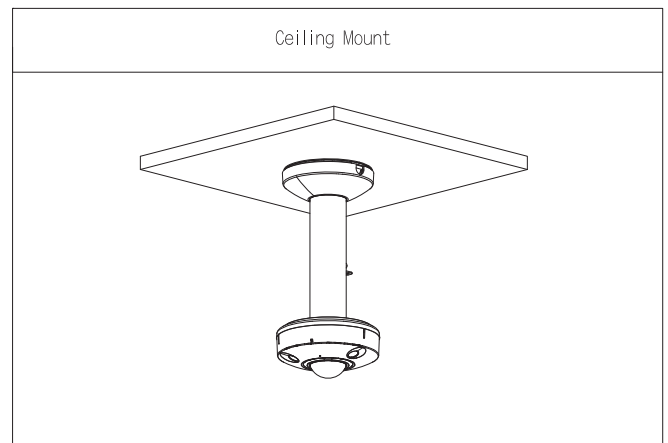
Structure	
Casing Material	Aluminum alloy
Product Dimensions	$\Phi 151.0\text{ mm} \times 37.0\text{ mm}$ ($\Phi 5.94" \times 1.46"$)
Appearance Color	White
Net Weight	0.21 kg (0.46 lb)
Gross Weight	0.26 kg (0.57 lb)
Load Bearing	3.0 kg (6.61 lb)
Installation	Ceiling mount
Screw Thread Type	G1 1/2
Applicable Model	Please see "Camera Accessories Selection"

Packaging Dimensions	177 mm \times 177 mm \times 52 mm (6.97" \times 6.97" \times 2.05") (L \times W \times H)
Environment	
Operating Temperature	-40°C to $+60^{\circ}\text{C}$ (-40°F to $+140^{\circ}\text{F}$)
Operating Humidity	<90% (RH)
Storage Temperature	-40°C to $+60^{\circ}\text{C}$ (-40°F to $+140^{\circ}\text{F}$)
Storage Humidity	10%–90% (RH)
Anti-corrosion Level	Basic Protection

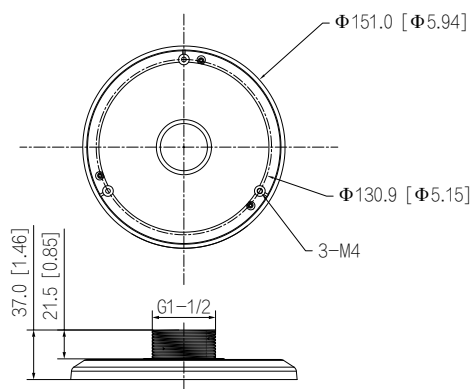
Ordering Information

Type	Model	Description
Camera Mount	DH-PFA100	Mount Adapter

Installation



Dimensions (mm[inch])



Package Information

- Mount adapter × 1
- M4×10 screw × 3