

# DH-PFA107

## Mount Adapter



- Built of aluminum alloy.
- Matched with particular cameras, beautiful and elegant designed.



### Series Overview

The Mounting Bracket works with front-end services, supporting installation methods such as wall mount, pole mount, corner mount and in-ceiling mount. Select brackets are designed to suit complex scenes, making them convenient to use in environments with high temperatures, humidity, frequent vibrations, and in locations that are highly corrosive. These highly reliable brackets are easy to install and use.

### Scene

Ideal for mounting cameras, and works in temperatures ranging from  $-40^{\circ}\text{C}$  to  $+60^{\circ}\text{C}$  ( $-40^{\circ}\text{F}$  to  $+140^{\circ}\text{F}$ ) and in environments with a relative humidity of less than 90%.

### Technical Specification

#### Structure

Casing Material	Aluminum alloy
Product Dimensions	$\Phi 134.1\text{ mm} \times 83.5\text{ mm}$ ( $\Phi 5.28'' \times 3.29''$ )
Appearance Color	White
Net Weight	0.30 kg (0.66 lb)
Gross Weight	0.38 kg (0.84 lb)
Load Bearing	1.0 kg (2.20 lb)
Installation	Ceiling mount
Applicable Model	Please see "Camera Accessories Selection"
Packaging Dimensions	155 mm $\times$ 153 mm $\times$ 113 mm (6.10" $\times$ 6.02" $\times$ 4.45") (L $\times$ W $\times$ H)

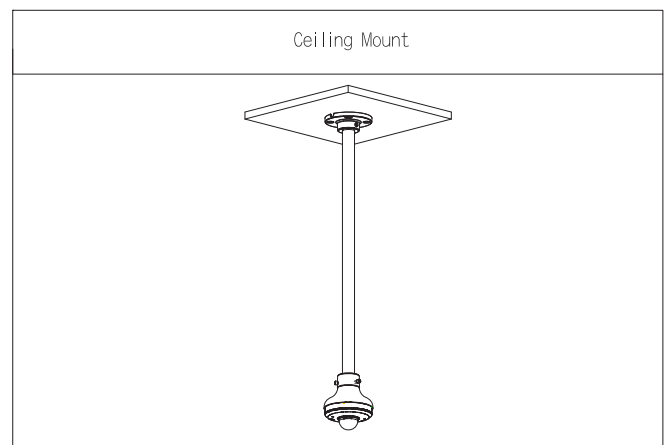
### Environment

Operating Temperature	$-40^{\circ}\text{C}$ to $+60^{\circ}\text{C}$ ( $-40^{\circ}\text{F}$ to $+140^{\circ}\text{F}$ )
Operating Humidity	<90% (RH)
Storage Temperature	$-40^{\circ}\text{C}$ to $+60^{\circ}\text{C}$ ( $-40^{\circ}\text{F}$ to $+140^{\circ}\text{F}$ )
Storage Humidity	10%–90% (RH)
Anti-corrosion Level	Basic Protection

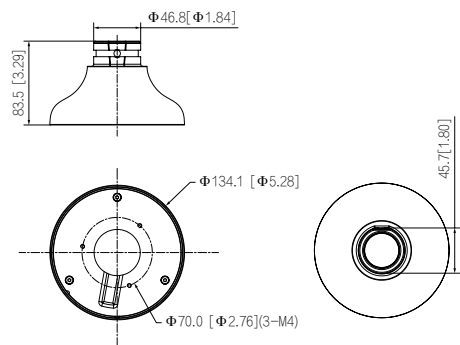
### Ordering Information

Type	Model	Description
Camera Mount	DH-PFA107	Mount Adapter

### Installation



## Dimensions (mm[inch])



## Package Information

- Mount adapter × 1
- M4×10 screw × 3
- T15L wrench × 1