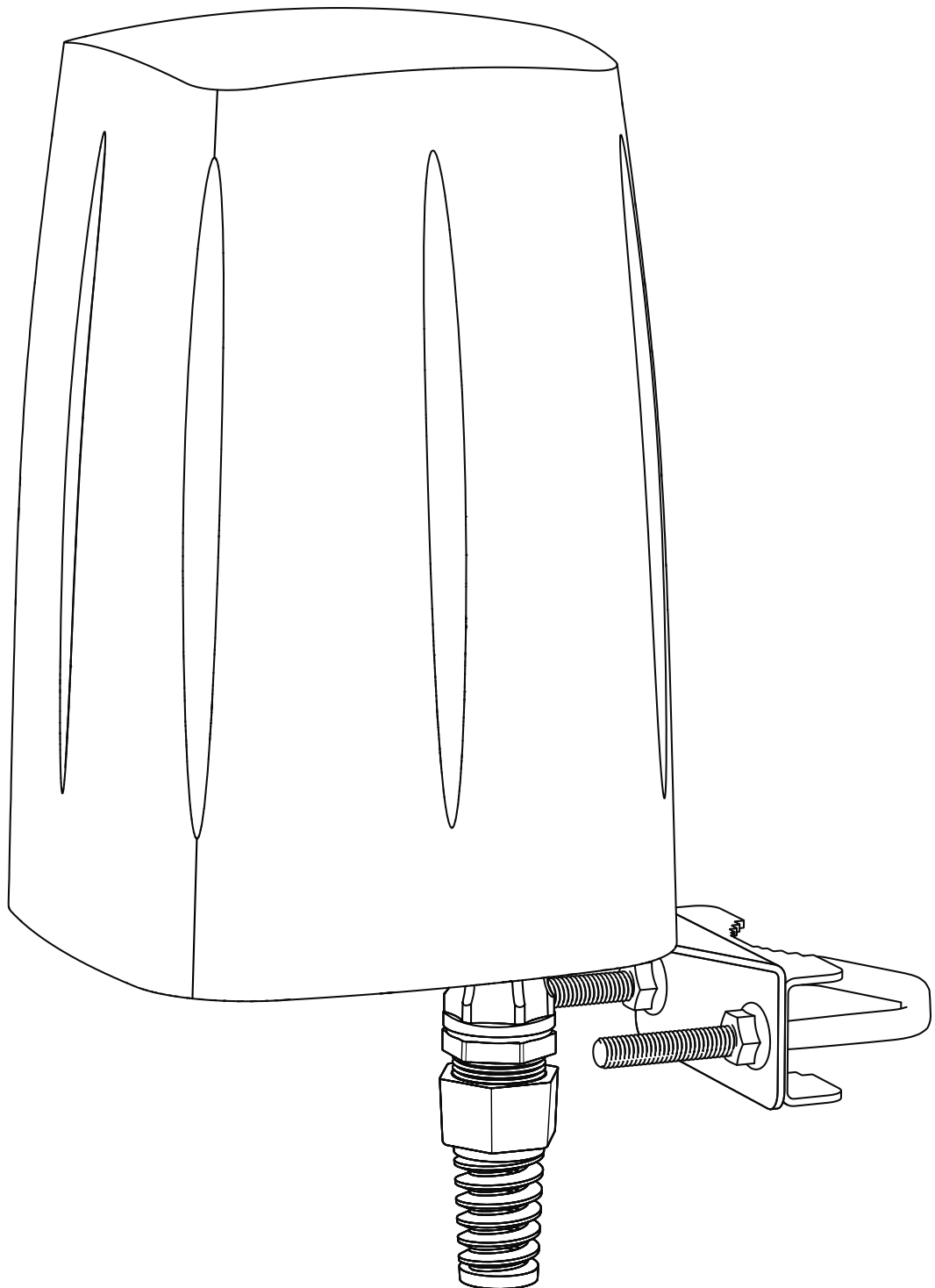
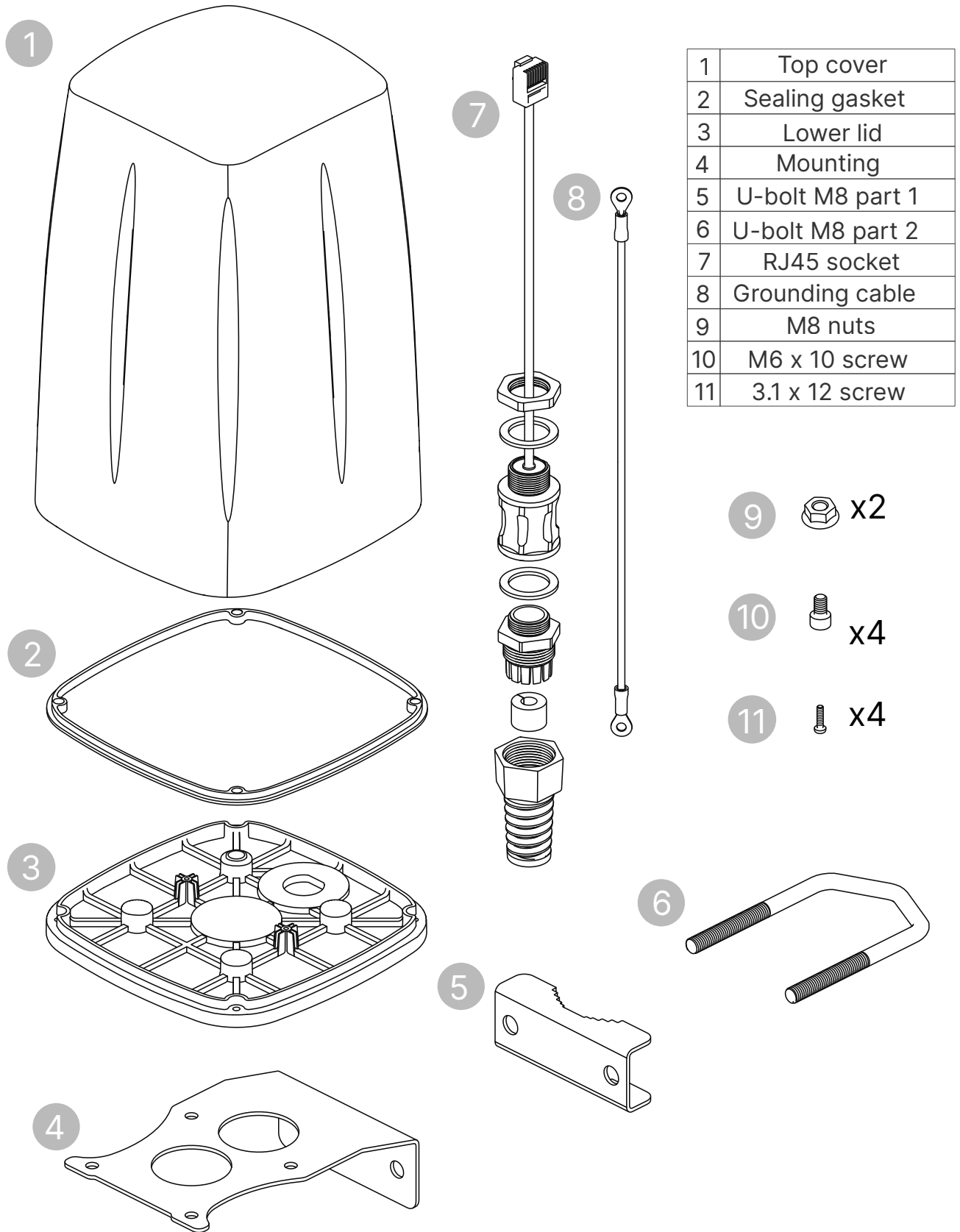


QUICK INSTALLATION GUIDE

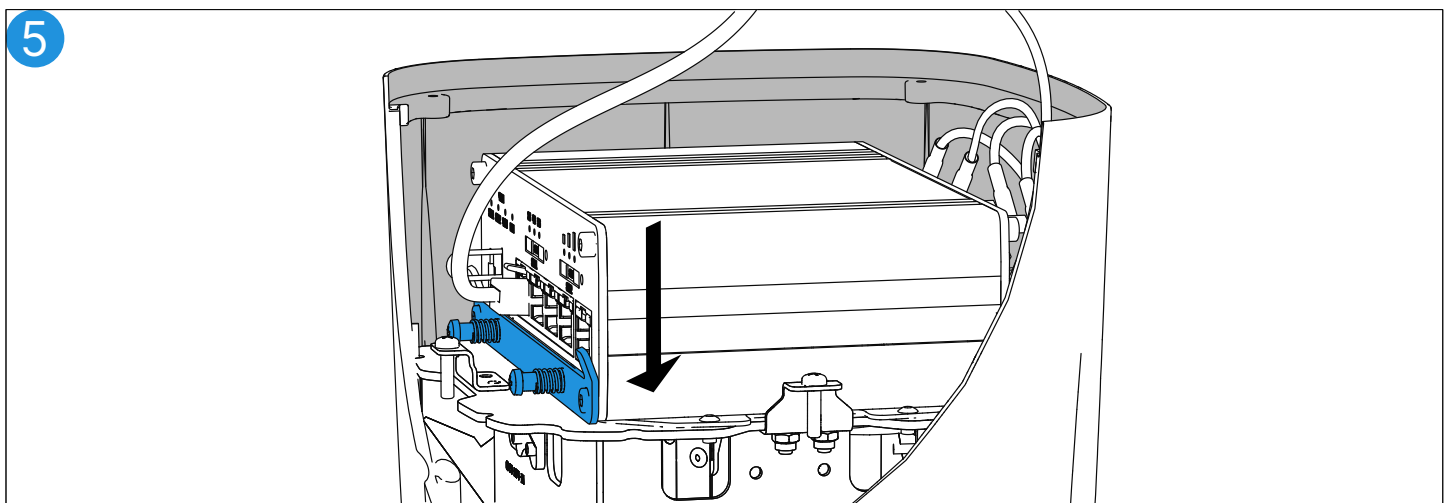
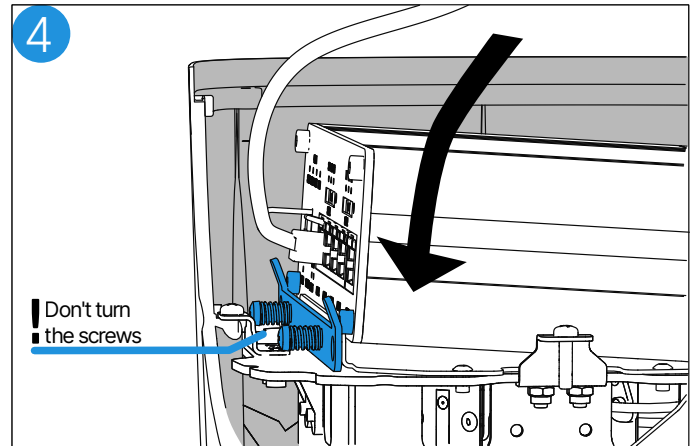
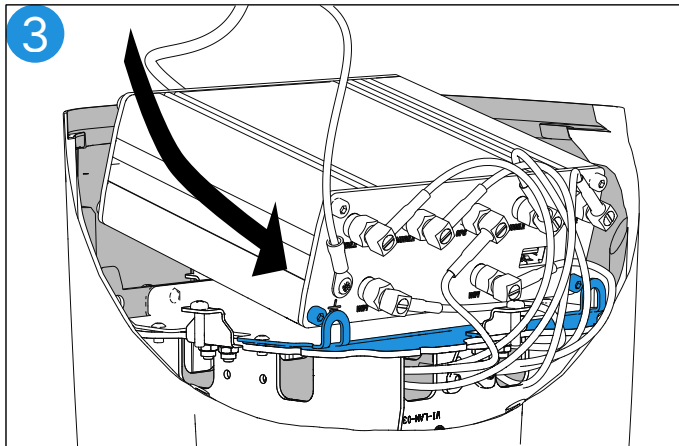
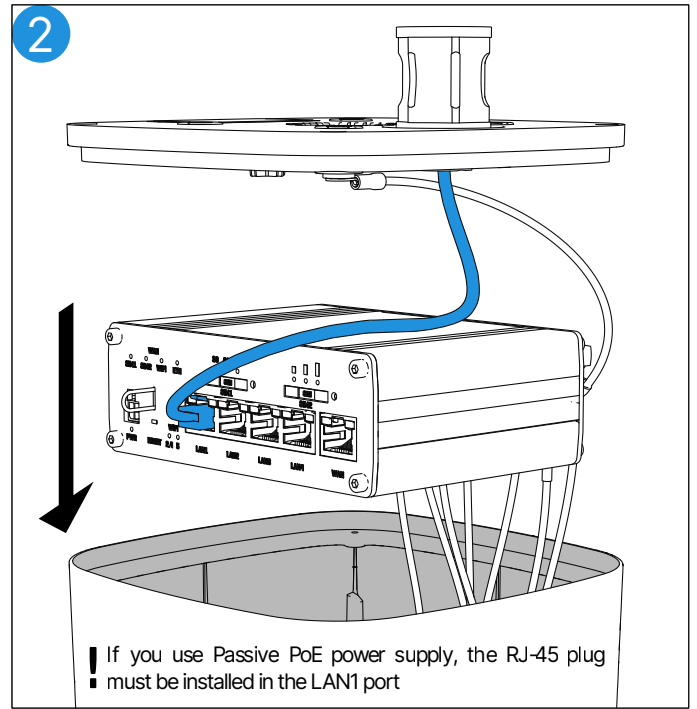
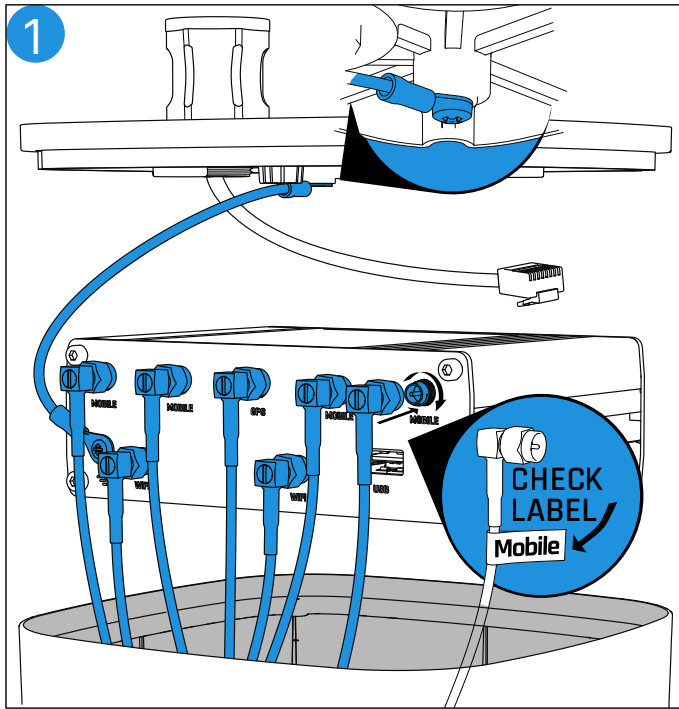
Outdoor LTE & 5G/Wi-Fi/GPS antenna for
RUTX50 and RUTM50 routers



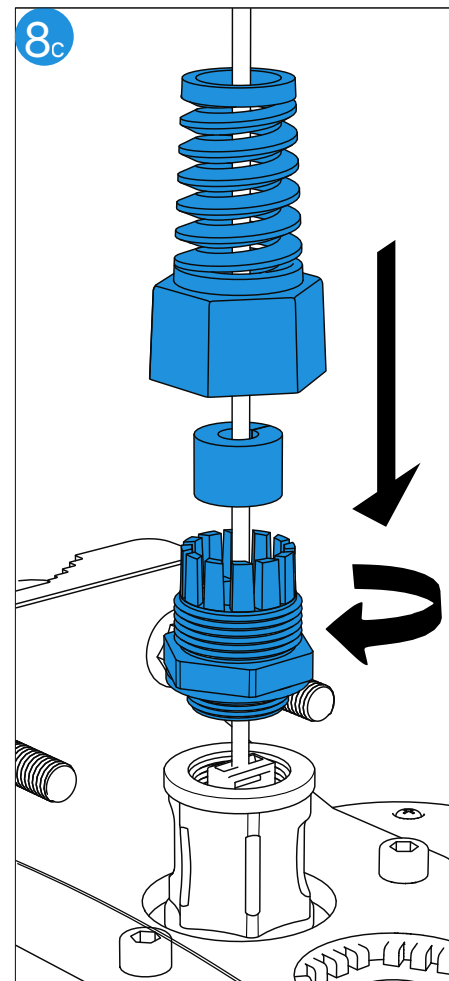
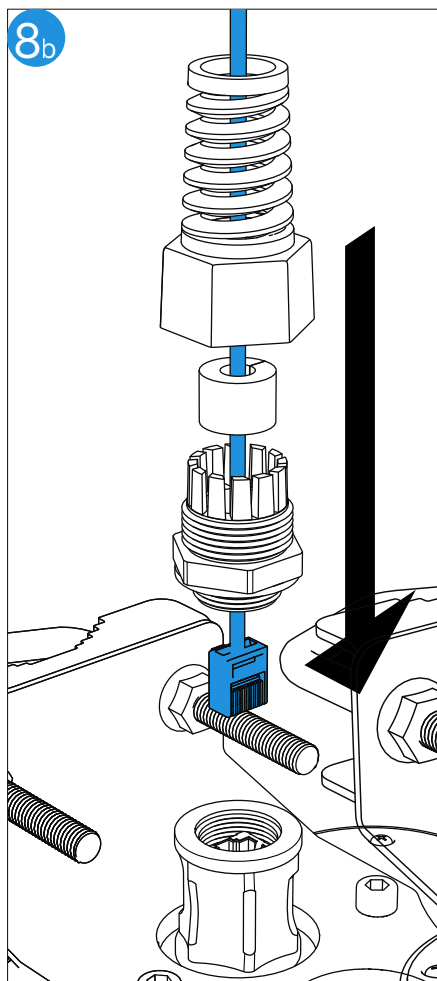
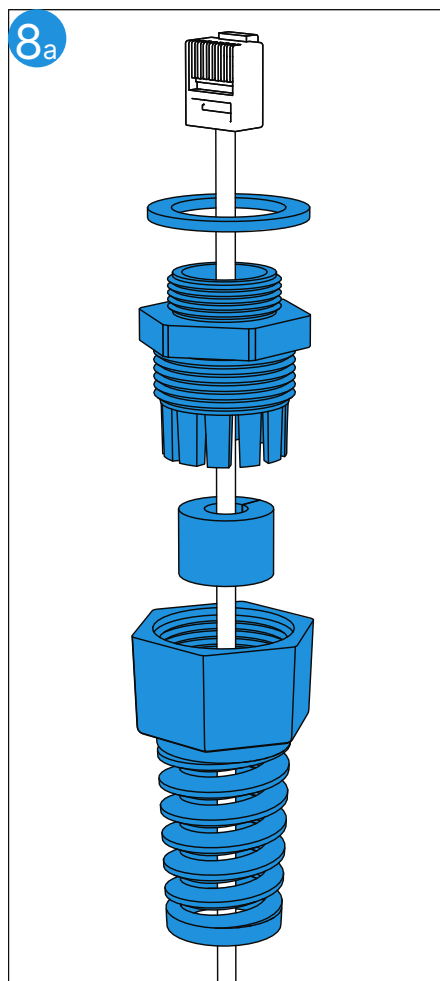
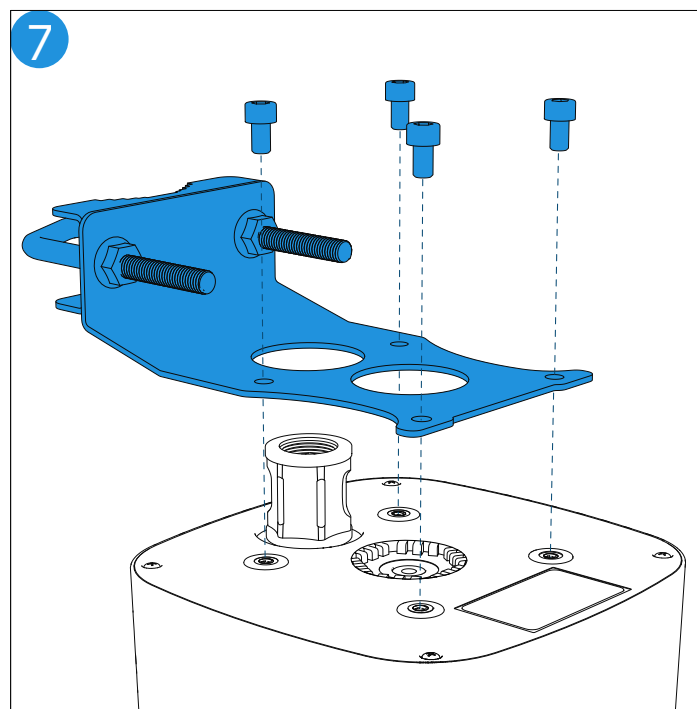
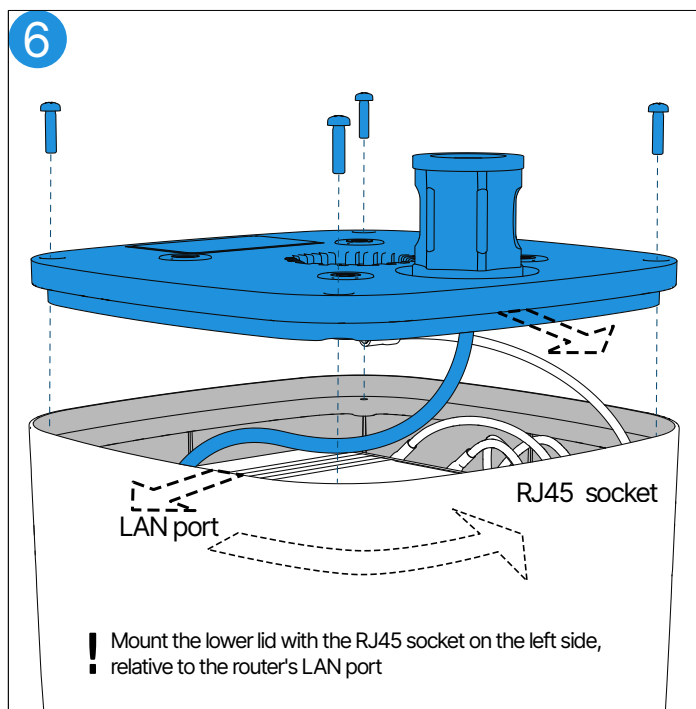
WHAT'S INSIDE



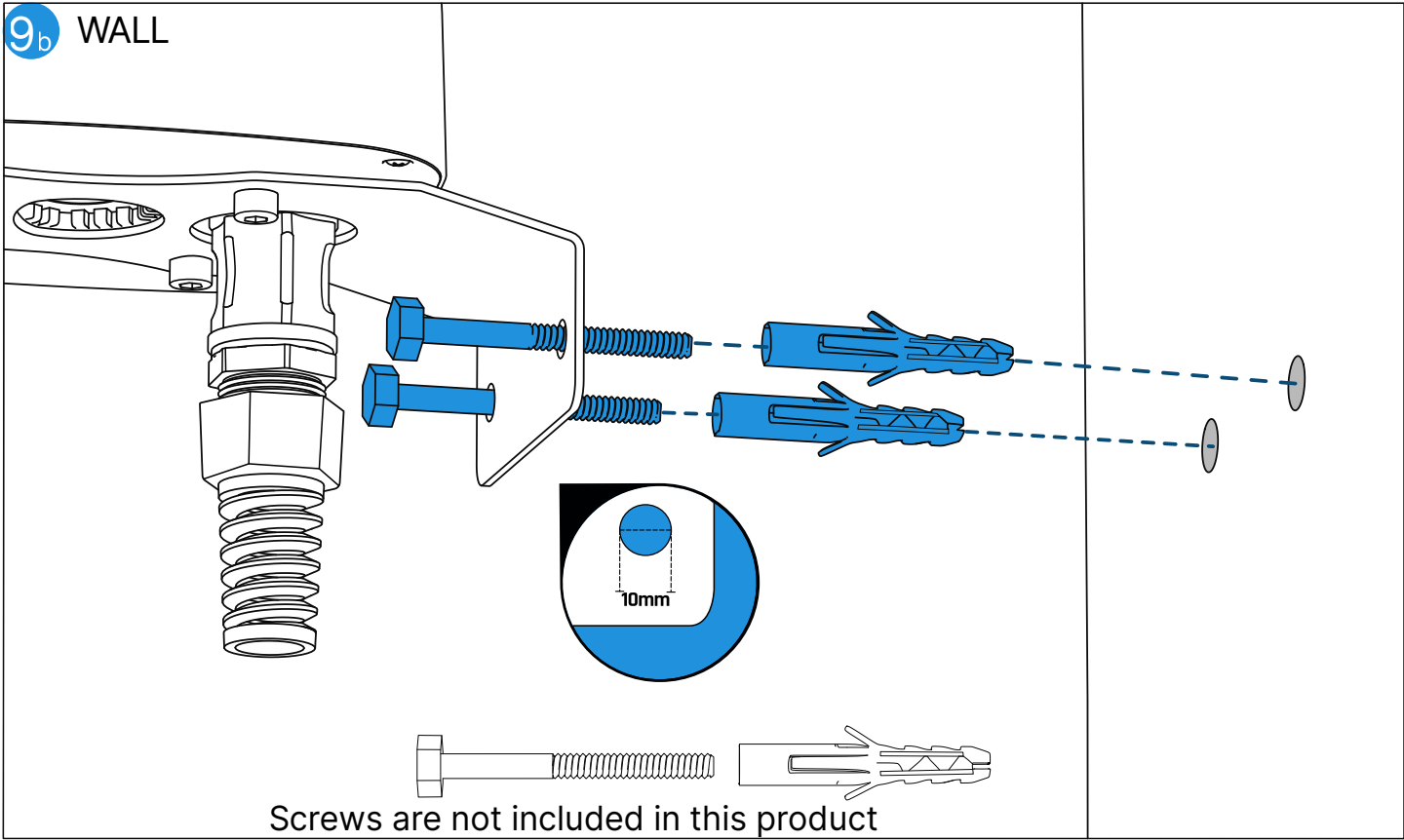
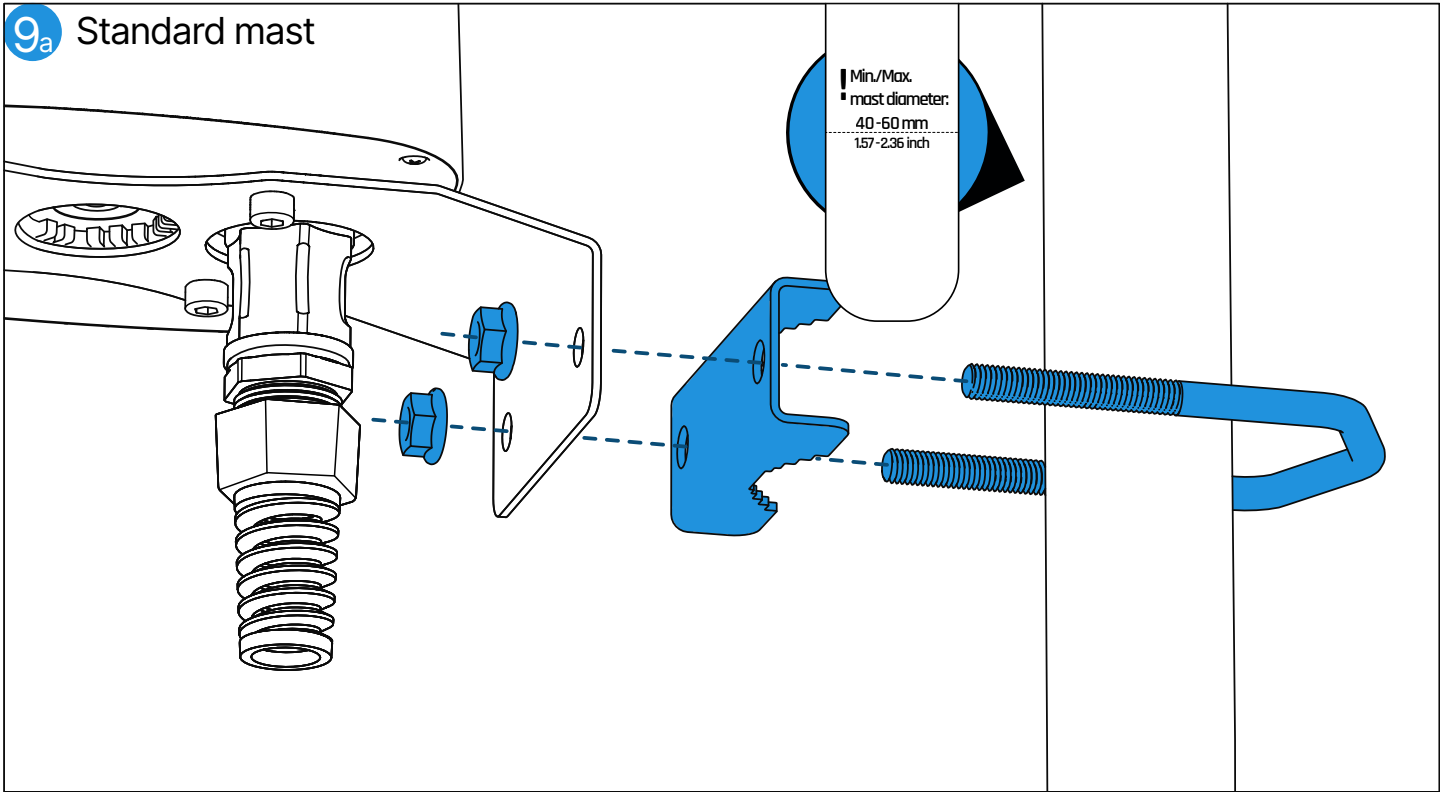
ANTENNA INSTALLATION



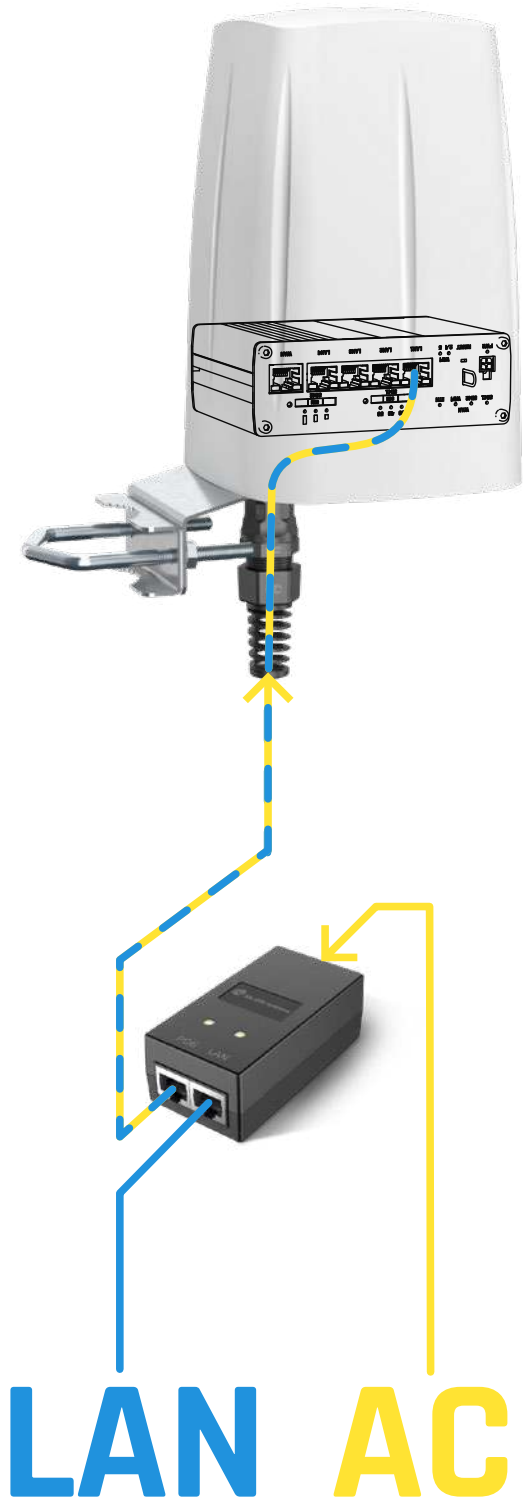
ANTENNA INSTALLATION



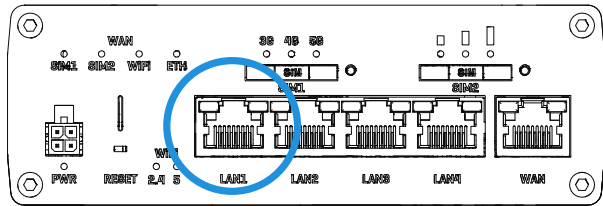
MAST & WALL INSTALLATION



10a STANDARD POE POWER SUPPLY



Teltonika routers support passive PoE only via their LAN1 port



Please note:

- Teltonika routers are not compliant with the IEEE 802.3af-2003 standard. Powering one via an IEEE 802.3af-2003 power supply will damage the router due to this standard's voltage.
- Teltonika routers are not compliant with the IEEE 802.3at standard. They cannot power other devices via Ethernet. They can be powered via any Gigabit passive PoE power supply with a voltage of 9-30 VDC, such as our own power supply:

For power supply, you can use any Gigabit Passive PoE power supply with a voltage of 18-48V in the case of RUTX series routers. You can use, for example, a power supply from our offer: [PR324EUB](#)

Passive PoE power supply is not included in this product.

