

G3416GW

G3/4" Water Joint



- Built of PA material.
- IP68 rated.
- Includes a plug that supports having one or two cables plugged into it.
- Designed for junction boxes and distribution boxes, the connector can be used to waterproof cables.

Series Overview

The Waterproof Connector is expertly crafted for installation in the side outlet of junction boxes, effectively preventing water ingress and ensuring reliability in both outdoor and indoor humid environments.

Scene

Ideal for mounting cameras, and works in temperatures ranging from $-40\text{ }^{\circ}\text{C}$ to $+60\text{ }^{\circ}\text{C}$ ($-40\text{ }^{\circ}\text{F}$ to $+140\text{ }^{\circ}\text{F}$) and in environments with a relative humidity of less than 90%.

Technical Specification

Structure

Casing Material	PA
Product Dimensions	$\Phi 36.7\text{ mm} \times 46.2\text{ mm}$ ($\Phi 1.44'' \times 1.82''$)
Appearance Color	Grey
Net Weight	0.02 kg (0.04 lb)
Gross Weight	0.03 kg (0.07 lb)
Screw Thread Type	G3/4

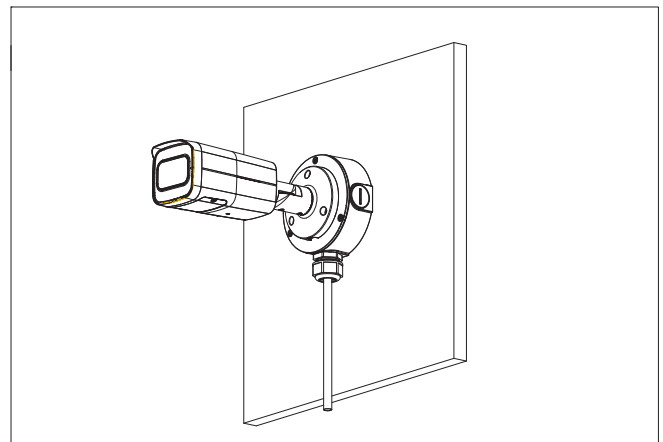
Environment

Protection	IP68
Operating Temperature	$-40\text{ }^{\circ}\text{C}$ to $+60\text{ }^{\circ}\text{C}$ ($-40\text{ }^{\circ}\text{F}$ to $+140\text{ }^{\circ}\text{F}$)
Operating Humidity	<90% (RH)
Storage Temperature	$-40\text{ }^{\circ}\text{C}$ to $+60\text{ }^{\circ}\text{C}$ ($-40\text{ }^{\circ}\text{F}$ to $+140\text{ }^{\circ}\text{F}$)
Storage Humidity	10%–90% (RH)

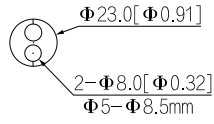
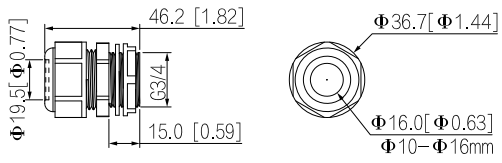
Ordering Information

Type	Model	Description
Converter Terminal	G3416GW	G3/4" Water Joint

Installation



Dimensions (mm[inch])



Package Information

- G3/4" water joint × 1