

DHI-ARA13-W2(868)

Wireless outdoor siren



- IP65 rated.
- Outdoor product (–25 °C to +60 °C).
- 12 VDC and battery power supply.
- Multiple alarm sounds: Fire, medical, intrusion, panic, and more.
- The maximum sound pressure level is 110 dB(A) when measured at a distance of 1 meter.
- Temperature monitoring.
- Frequency hopping and two-way communication.
- Cloud update and automatic recovery from update failure.

System Overview

Wireless outdoor siren is an outdoor siren that alarms loudly when an alarm event occurs, attracting the attention of everyone within its vicinity. It features danger warning, intrusion deterrent, and is used in outdoor scenes such as in villas, homes, and on streets.

Scene

Mainly applied for villas, apartments, streets, etc.

Technical Specification

Function

Indicator Light	1 × green pairing indicator 12 × alarm LED groups
Button	1 × power switch
Buzzer	1 × buzzer
Remote Update	Cloud update
Low Battery Detection	Yes
Battery Level Display	Yes
Tamper	Yes
Signal Strength	Signal strength detection

Wireless

Carrier Frequency	868.0 MHz–868.6 MHz
Transmitter Power (EIRP)	Limit 25 mW
Communication Distance	Up to 1,600 m (5,249.34 ft) in an open space
Communication Mechanism	Two-way

Frequency Hopping	Yes
Encryption Mode	AES128

General

Power Supply Mode	4 × CR123A battery/9–15 VDC
Battery Model	CR123A
Battery Life	4 CR123A batteries can be used for 3.4 years (if triggered fortnightly and the alarm sounds for 120 s each time with a battery efficiency of 80%)
Operating Temperature	–25 °C to +60 °C (–13 °F to +140 °F)
Operating Humidity	10%–90% (RH)
Product Dimensions	200 mm × 200 mm × 52.5 mm (7.87" × 7.87" × 2.07") (L × W × H)
Packaging Dimensions	255 mm × 239 mm × 64 mm (10.04" × 9.41" × 2.52") (L × W × H)
Net Weight	610 g (1.34 lb)
Gross Weight	920 g (2.03 lb)
Installation	Wall mount
Casing	PC + ABS
Protection	IP65
Certifications	CE EN 50131-1:2006+A1:2009+A2:2017+A3:2020 EN 50131-4:2019 EN 50131-6:2017 EN 50131-5-3:2017 Security Grade 2 Environmental Class IV

Technical

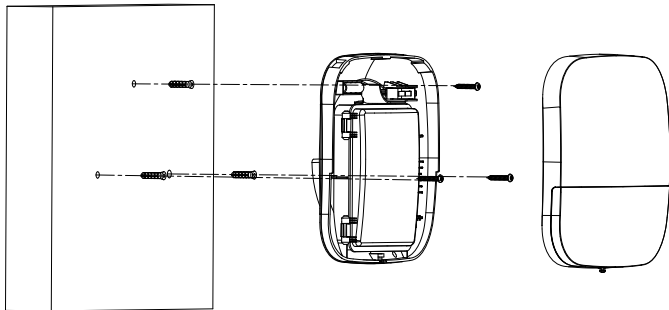
Scenario	Outdoor
----------	---------

Operating Current	Max 1.4 A, 92 uA (standby), battery 3 V Max 1 A, 7.3 mA (standby), 12 VDC
Sound and Light Alarm	Light alarm and multiple alarm sounds, including fire, medical, intrusion, panic, and more.
Sound Pressure	Maximum: 110 dB(A) at 1 meter Minimum: 95.2 dB(A) at 1 meter

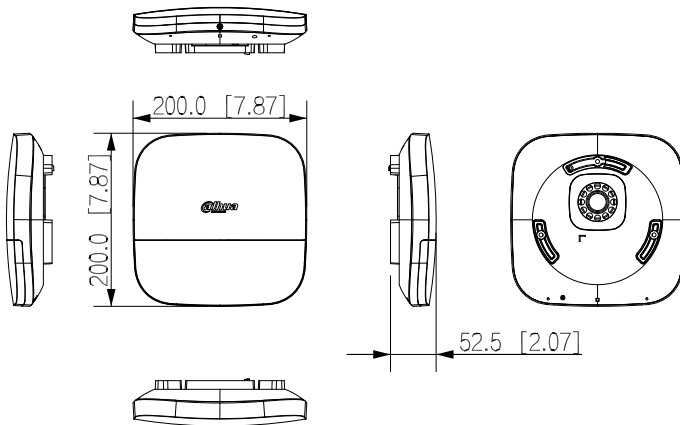
Ordering Information

Type	Model	Description
Wireless outdoor siren	DHI-ARA13-W2(868)	Wireless outdoor siren

Installation



Dimensions (mm[inch])



Application

Wireless Door Detector

Wireless PIR Detector

Wireless Keyfob

Wireless Single Channel



RF868



Alarm Hub



RF868



Wireless Outdoor Sensor