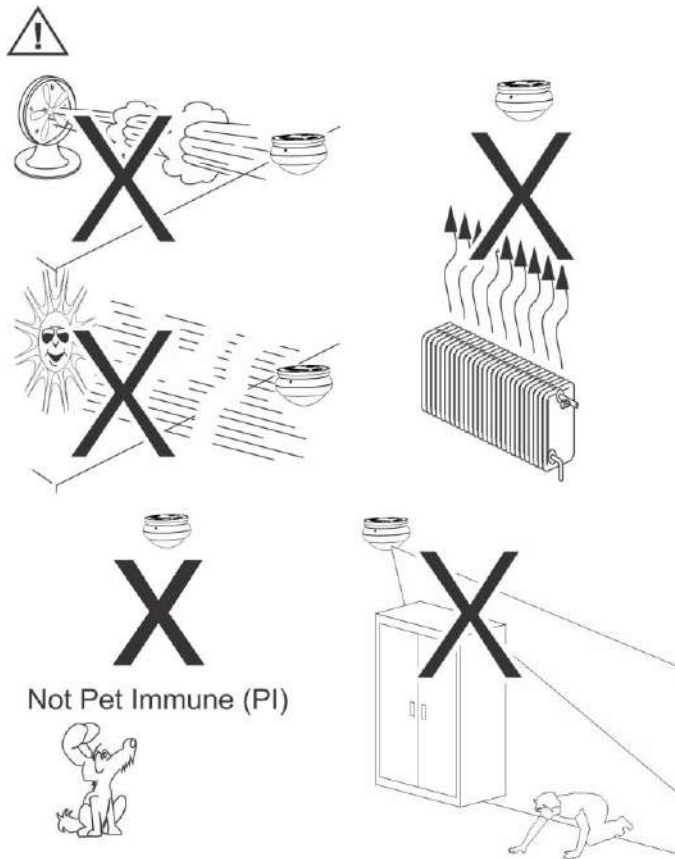


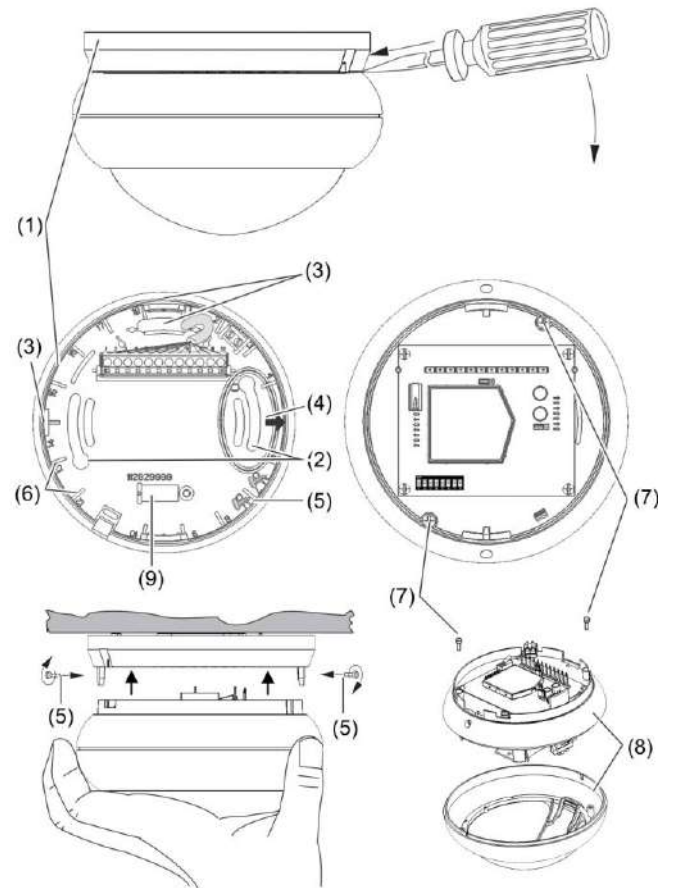
DD66X Series Dual Detector Installation Sheet

EN DA DE ES FI FR IT NL NO PL PT SV

1

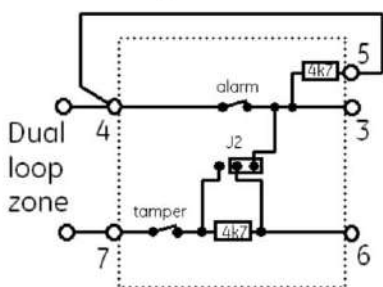


2

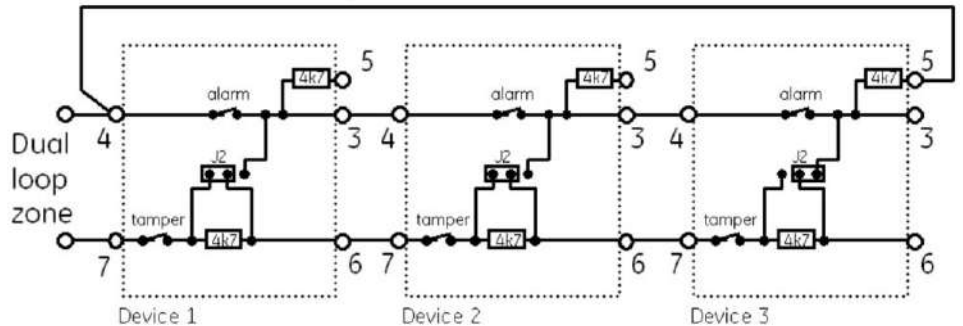


3

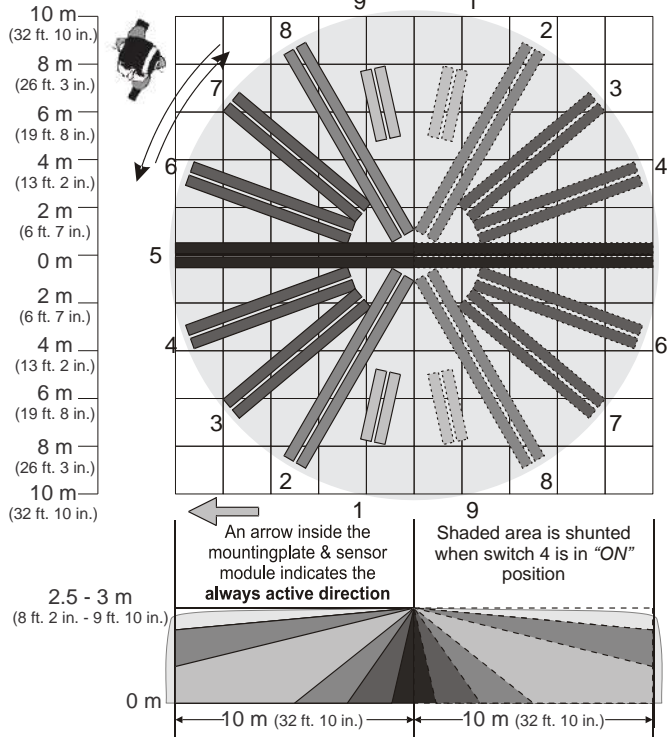
Dual loop with one device



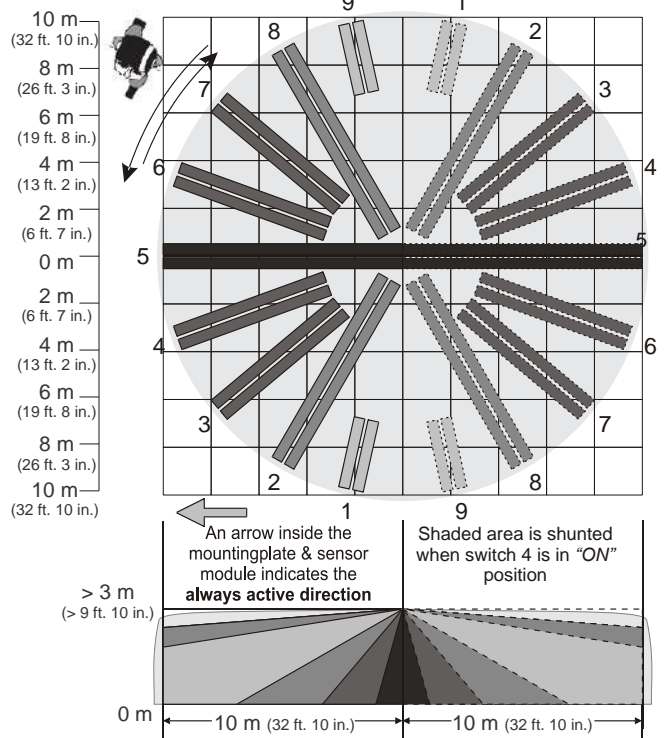
Dual loop with more than one device



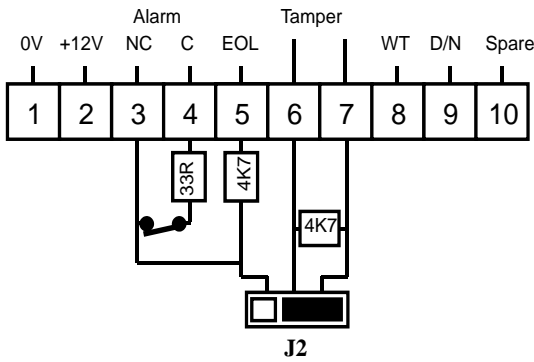
Floor pattern at mounting heights between 2.5 and 3.0 m (8 ft. 2 in. and 9 ft. 10 in.)



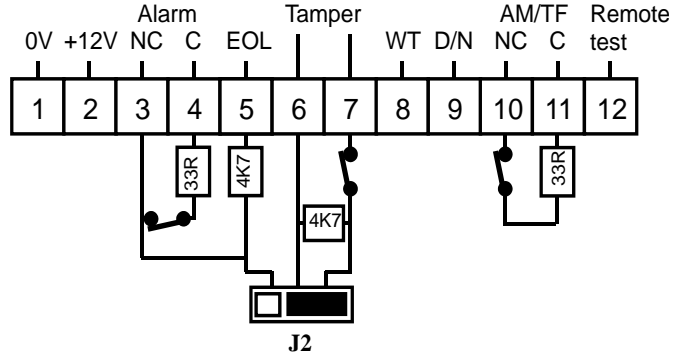
Floor pattern at mounting heights above 3.0 m (9 ft. 10 in.)



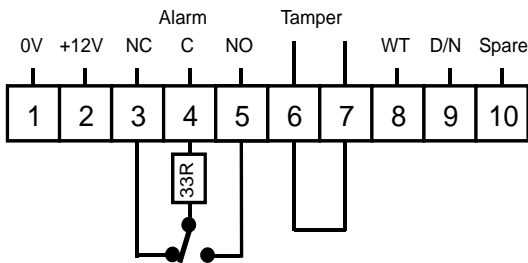
DD669



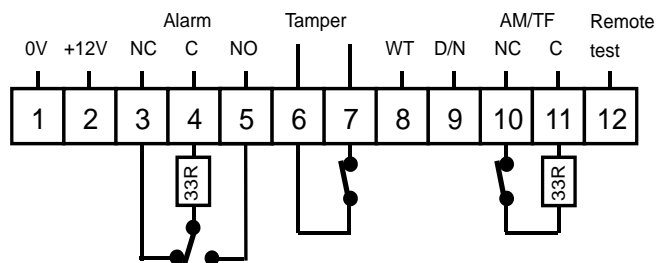
DD669AM



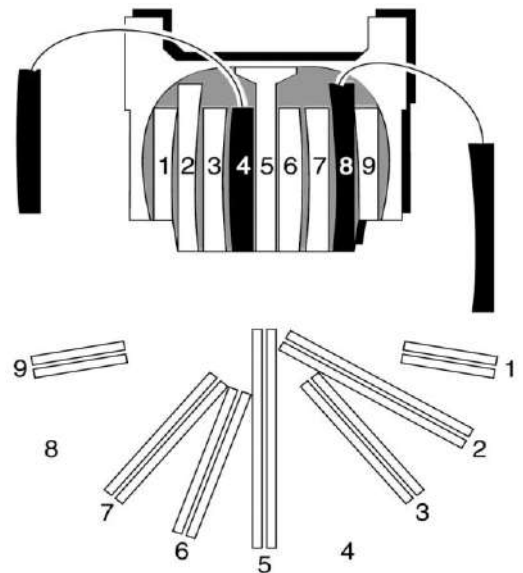
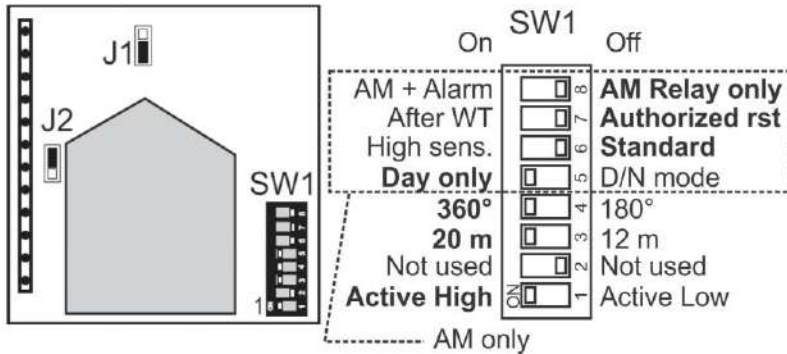
DD666-D



DD666AM-D



- J1**
- LEDs ON
 - LEDs OFF
 - Under control of DN and WT
- J2**
- Iso. Alarm and Tamp. Loop
 - Dual Loop
 - EOL Loop (4k7)
- Note: Jumper J2 only for DD669 and DD669AM



EN: Installation Sheet

Introduction

The DD66X/AM family is made up of Dual/Dual-AM motion sensors. They have the patented Range Controlled Radar technology.

Installation guidelines

The detector can be mounted to a ceiling. Use the following guidelines to determine the best location to install the detector:

- Mount the detector so the expected movement of an intruder is across the detection pattern (Figures 4 and 5).
- Mount the detector at a stable surface at a height between 2.5 m (8 ft. 2 in.) and 5.0 m (16 ft. 5 in.).
- Do not mount the detector within 0.5 m (1 ft. 8 in.) of metallic objects or within 1.5 m (4 ft. 11 in.) of fluorescent lights.
- Do not place objects in front of the detector that may prevent a clear line of sight (Figure 1).
- Mount detectors at least 6 m (19 ft. 8 in.) apart, and use the short-range setting to avoid interference.

The dual technology processing of this detector is very resistant to false alarm hazards. However, avoid potential causes of instability, such as:

PIR hazards (Figure 1):

- Direct sunlight on the detector
- Heat sources within the detector field of view
- Strong air draughts onto the detector
- Animals in the field of view
- Obscuring the detector field of view with large objects, such as furniture

Microwave hazards:

- Mounting surface susceptible to vibrations
- Metal surfaces reflecting microwave energy
- Water movement through plastic pipes

- Moving or vibrating objects like fans, heating or air-conditioning ducts



WARNING! The equipment is not earthed. Any external circuit connected to the equipment must be located within the same building and connected to a protective earthing conductor.

Wire insulation of cables connected to the equipment must conform to IEC 60332-1-2 and IEC 60332-1-3 or IEC 60332-2-2, depending on the wire cross sectional area, or IEC TS 60695-11-21, regardless of cross sectional area. Alternatively, such wires must comply with UL 2556 VW-1.

The detector power supply source must be power limited at 15 W.

We recommend that the detector is regularly walk tested and checked at the control panel.

Installing the detector

1. Lift off mounting plate (see Figure 2, item 1).
2. Fasten the mounting plate to the ceiling in the required position using mounting holes (see Figure 2, item 2). Specified mounting height: min. 2.5 m (8 ft. 2 in.), max. 5.0 m (16 ft. 5 in.). Specified screws: DIN 7996, 4 mm.
3. The detection pattern can be adjusted by up to $\pm 15^\circ$ (max 30°) by rotation of the mounting plate prior to tightening the screws.
4. Wire the detector (see Figures 2, 3, and 6).

Increase of mounting heights beyond the specified 2.5 to 5.0 m (8 ft. 2 in. to 16 ft. 5 in.) will reduce sensitivity. Range varies from 12 to 14 meter (39 ft. 4 in. to 45 ft. 11 in.) in short range and 20 to 22 meter (65 ft. 7 in. to 72 ft. 2 in.) in long range depending on the mounting height.

Note: The arrow (Figure 2, item 4) indicates the centre curtain direction and the active direction when switch 4 is OFF.

5. Select the desired jumper and DIP switch settings (see Figure 7). See section “Setting the detector” below for more information.
6. To screw the sensor module to the mounting plate, use the screws that are placed for transport in the mounting plate (see Figure 2, item 5).

The curtain directions 1 through 9 clockwise, are indicated on the mounting plate (see Figure 2, item 6). Curtain number 5 is the centre curtain.

Selecting the coverage patterns

For access to the mirror undo screws (Figure 2, item 7) and open the sensor module (Figure 2, item 8). Mask the appropriate mirror curtains with the adhesive labels provided and reassemble the sensor module (see Figure 8 for example).

Setting the detector

See Figure 7 for the jumper locations in the detector.

J1: Setting LEDs

On: Enables both LEDs on the detector at all times (factory default).

Off: Disables both LEDs on the detector at all times.

Removed: Puts both LEDs under the control of the Walk Test and Day/Night input. This activates the memory feature of the detector. When the detector is Disarmed and the input Walk Test is disabled, the microwave section is turned off for DD66X or in Anti Masking detection for DD66XAM. In this configuration the detector operates as a PIR only.

J2: Dual loop setting

This sets the alarm and tamper relays. It allows you to connect the detector to any control panel (see Figures 3 and 6).

SW 1: Polarity setting of the control voltage (CV)

On: Active High. Provides the standard Carrier Fire & Security logic with “Active High” logic to enable Walk Test (WT), Day/Night (D/N), and Remote Test inputs (factory default).

Off: Active Low. Provides “Active Low” logic to enable Walk Test (WT), Day/Night (D/N) and Remote Test inputs.

SW 2: Not used

SW 3: Detector range

The microwave can be selected between 20 ± 0.5 m, and 12 ± 0.5 m (65 ft. 7 in. \pm 1 ft. 8 in., and 39 ft. 4 in. \pm 1 ft. 8 in.).

Note: Only the microwave range will be reduced, not the PIR section.

SW 4: Detection coverage

The detection coverage can be selected between 360 degrees for normal application, and 180 degrees for special applications.

Note: Only the coverage of the PIR will be adjusted.

SW 5 (AM detectors only): When to signal AM (anti-masking) or TF (technical fault) output

Note: Switch 5 has an effect only when J1 (Setting LED) is removed.

On: Day mode only. Signals AM or TF only when the system is in Day mode (factory default).

Off: Day/Night mode. Always signals AM or TF during Day and Night mode.

SW 6 (AM detectors only): AM sensitivity

On: High. Selects High level of AM sensitivity (EN 50131).

Off: Standard. Selects Standard level of AM sensitivity (factory default).

Advised minimum mounting height for High AM sensitivity is 3 m (9 ft. 10 in.).

SW 7 (AM detectors only): Resetting the AM/TF output

Note: Switch 7 has an effect only when J1 (Setting LED) is removed.

The system will only reset an AM alarm if it has ensured that the cause of the AM alarm has been removed. If the AM circuitry cannot return to its original reference levels, then either the detector is still masked or possibly has been damaged. The owner should then visually check that the detector is still fully functional.

On: After walktest. After a 40-second inhibit period, resets the AM or TF status when a (dual) motion alarm is generated.

Off: Authorized reset. Resets the AM or TF status after a (dual) motion alarm when the system is in Day and Walk Test status. The yellow LED will turn off and the system is reset (factory default).

SW 8 (AM detectors only): Signalling AM or TF output

On: AM + alarm relay. Signals AM on both the AM and Alarm relays. Signals TF on the AM relay only (EN 50131).

Off: AM relay only. Signals AM and TF on the AM relay (factory default).

Remote / self test (AM detectors only)

Remote test: This test allows the DD66XAM to be tested from the control panel. Use terminal 12 to activate the remote test. The DD66XAM will activate the Alarm relay if the test result is positive and the AM relay if the test result is negative.

Self test: The DD66XAM monitors the PIR and microwave circuits every 6 hours. A defect is reported as a technical fault. After a successful (dual) motion alarm the time interval between every self-test will be extended by 6 hours.

Detector self calibration

The DD66X series detector requires self calibration after the supply voltage is applied.

It is recommended to wait 5 minutes before starting the walk test in order for the detector to complete its calibration procedure.

It is also highly recommended to ensure that there are no moving objects in the range of the detector during this calibration time.

Walk testing the detector

The DD66X series provides a walk test mode for testing the detectors operation and coverage pattern if the detector is set to LED's disabled. To walk test the detector, remove the supply voltage and apply it back on. The walk test mode can be started once the startup sequence has completely finished (LED flashes for 45 or 60 seconds). The unit stays in walk test

mode for 30 minutes. The detector returns to normal operating mode after the walk test mode times out.

During the walk test the installer should cross a curtain to trigger the PIR, and change the distance from detector to trigger the radar. The simplest method is to cross a selected curtain, and then move towards the detector to activate a dual alarm. See Figures 4 and 5 for the curtain floor pattern.

Next, the installer should wait 40 seconds before repeating the walk test on the consecutive curtain of the detector pattern.

Note: An environment with a higher microwave noise may require a longer quiescent time for radar circuits to stabilize.

Green mode (AM detectors only)

The detector can be programmed in several ways to minimize the human and animal exposure to microwave radiation, although the detector is already sending microwave signal on a very low power level.

The detector will switch the microwave section off for 3 minutes after a dual alarm. The detector is in PIR only during this timer.

Settings option 1 J1: Off

Settings option 2 J1: Removed System in Armed status

The microwave section is switched off and for DD66XAM is switched to AM section. The detector operates in PIR mode only.

Setting J1: Removed System in Disarmed status
System Walk Test Disabled

LED indication

DD66X Dual	Red [1]	Yellow [1]	Alarm relay	To reset
Start up			Closed	Automatically after 45 s
Low voltage			Open (Alarm)	Apply correct voltage
(Dual) motion intruder alarm			Open (Alarm)	Automatically after 3 s
Latched PIR (Memory)				Switch to Night mode

DD66XAM Dual / AM	Red [1]	Yellow LED	Alarm relay	AM relay	To reset
Start up			Closed	Closed	Automatically after 60 s
Low voltage			Open (Alarm)	Open (Alarm)	Apply correct voltage
(Dual) motion intruder alarm			Open (Alarm)		Automatically after 3 s
Latched PIR (Memory)					Switch to Night mode
AM alarm			Open (Alarm) [2]	Open (Alarm)	See DIP switch 7
Technical fault				Open (Alarm)	Pass walk test

Continuously on Normal blinking (1 Hz)

[1] Tri-colour LED.

[2] Depends on the setting of the DIP switch SW8.

Specifications

	DD669	DD666-D	DD669AM	DD666AM-D
Detector	Dual		Dual + AM	
Range diameter (selectable)	20 ±0.5 m (65 ft. 7 in. ±1 ft. 7 in.) or 12 ±0.5 m (39 ft. 4 in. ±1 ft. 7 in.)			
Viewing angle (selectable)	360 degrees or 180 degrees			
Optical	2 x 9 curtains			
Microwave frequency	5725 to 5875 MHz			
Maximum power output	3.89 W			
Max microwave output at 1 m	0.003 µW/cm ²			
Memory	Yes			
Input power	9 to 15 VDC (12 V nominal)			
Peak-to-peak ripple	2 V (at 12 VDC)			
Detector start-up time	45 s		60 s	
Normal current consumption	12 mA		19 mA	
Current consumption in Alarm	10 mA		20 mA	
Maximum current consumption	15 mA		25 mA	
Mounting height	2.5 to 5.0 m (8 ft. 2 in. to 16 ft. 5 in.)			
Target speed range	0.3 to 3.0 m/s (1 ft./s to 9 ft. 10 in./s)	0.2 to 3.0 m/s (8 in./s to 9 ft. 10 in./s)	0.2 to 3.0 m/s (8 in./s to 9 ft. 10 in./s)	0.2 to 3.0 m/s (8 in./s to 9 ft. 10 in./s)
Alarm (NC) / Tamper relay characteristic	80 mA 30 VDC Form A	80 mA 30 VDC Form C	80 mA 30 VDC Form A	80 mA 30 VDC Form C
Pry off tamper	Optional		On board (Yes)	
AM relay characteristic	N/A		80 mA at 30 VDC max.	
Alarm time	3 s			
Operating temperature	-10 to +55°C (14 to 130°F)			
Dimensions (Ø x H)	Ø 138 x 92 mm (Ø 5.43 in. x 3.62 in.)			
Relative humidity	max. 95%			
Weight	255 g (9 oz.)			
IP/IK rating	IP30 IK04 (indoor use only)			

Regulatory information

Manufacturer	PLACED ON THE MARKET BY: Carrier Fire & Security Americas Corporation Inc. 13995 Pasteur Blvd Palm Beach Gardens, FL 33418, USA AUTHORIZED EU REPRESENTATIVE: Carrier Fire & Security B.V. Kelvinstraat 7, 6003 DH Weert, Netherlands
--------------	---

Product warnings and disclaimers



THESE PRODUCTS ARE INTENDED FOR SALE TO AND INSTALLATION BY QUALIFIED PROFESSIONALS. CARRIER FIRE & SECURITY CANNOT PROVIDE ANY ASSURANCE THAT ANY PERSON OR ENTITY BUYING ITS PRODUCTS, INCLUDING ANY "AUTHORIZED DEALER" OR "AUTHORIZED RESELLER", IS PROPERLY TRAINED OR EXPERIENCED TO CORRECTLY INSTALL FIRE AND SECURITY RELATED PRODUCTS.

For more information on warranty disclaimers and product safety information, please check <https://firesecurityproducts.com/policy/product-warning/> or scan the QR code.

Certification



European Union directives

Carrier Fire & Security hereby declares that this device is in compliance with the applicable requirements and provisions of all applicable rules and regulations, including but not limited to the Directive 2014/53/EU. For more information see: www.firesecurityproducts.com

REACH

Product may contain substances that are also Candidate List substances in a concentration above 0.1% w/w, per the most recently published Candidate List found at ECHA Web site.

Safe use information can be found at <https://firesecurityproducts.com/en/content/intrusion-intro>



2012/19/EU (WEEE directive): Products marked with this symbol cannot be disposed of as unsorted municipal waste in the European Union. For proper recycling, return this product to your local supplier upon the purchase of equivalent new equipment, or dispose of it at designated collection points. For more information see: recyclethis.info

Contact information

www.firesecurityproducts.com or www.aritech.com

DA: Installationsvejledning

Introduktion

DD66X/AM-serien består af μW + PIR/(μW + PIR-AM)-rumdetektorer. De indeholder den patenterede Range Controlled Radar-teknologi (RCR).

Installationsvejledning

Detektoren kan monteres på et loft. Brug følgende retningslinjer for at bestemme, hvor det er bedst at placere detektoren:

- Monter detektoren, så den forventede bevægelse fra en indbrudstøv går tværs igennem dens gardiner (figur 4 og 5).
- Monter detektoren på en stabil overflade ved en højde på mellem 2,5 m og 5,0 m.
- Monter ikke detektoren inden for en afstand af 0,5 m fra metalgenstande eller inden for en afstand af 1,5 m fra lysstofarmaturer.

- Placer ikke genstande foran detektoren, der kan forhindre en tydelig synslinje (figur 1).
- Monter detektoren mindst 6 m væk, og brug den korte områdeindstilling for at undgå interferens.

Den dobbelte teknologibehandling med denne detektor er meget modstandsdygtig over for falske alarmer. Ikke desto mindre skal du undgå mulige årsager til falske alarmer, f.eks.:

PIR-risici (figur 1)

- Direkte sollys på detektoren
- Varmekilder inden for synsvidde
- Kraftig træk på detektoren
- Store dyr inden for synsvidden
- Afdækning af detektorens detekteringsfelt med store genstande, såsom møbler

Mikrobølgerisici

- Monteringsoverflade, der er modtagelig over for vibrationer
- Metaloverflader, der reflekterer mikrobølgeenergi
- Vandbevægelse gennem plastikrør
- Bevægelige eller vibrerende genstande, som f.eks. kanaler i blæsere eller airconditionanlæg



ADVARSEL! Udstyret er ikke jordet. Ethvert eksternt kredsløb, der er tilsluttet udstyret, skal være placeret i den samme bygning og tilsluttes en beskyttende jordleder.

Trådisolering af kabler, der er tilsluttet udstyret, skal være i overensstemmelse med IEC 60332-1-2 og IEC 60332-1-3 eller IEC 60332-2-2, afhængig af ledningens tværsnit, eller IEC TS 60695-11-21, uanset af tværsnitsarealet. Alternativ skal sådanne ledninger være i overensstemmelse med UL 2556 VW-1.

Strømforsyning til detektoren skal være begrænset til 15 W.

Carrier Fire & Security anbefaler, at detektoren gangtestes med jævne mellemrum og kontrolleres ved centralenheden

Installation af detektoren

1. Afmonter monteringssocklen fra detektoren (se figur 2, punkt 1).
2. Fastgør monteringssocklen til loftet i den ønskede placering ved hjælp af hullerne (se figur 2, punkt 2). Angivet monteringshøjde: min. 2,5 m — maks. 5,0 m. Anbefalet skrue: DIN 7996, 4 mm.
3. Detektormønstret (gardiner) kan justeres med op til $\pm 15^\circ$ (maks. 30°) ved at dreje monteringssocklen, før skrue strammes.
4. Forbind ledningerne til klemrækken i monteringssocklen (se figur 2, 3 og 6).

Øgning af monteringshøjderne ud over de angivne 2,5 til 5,0 m vil reducere følsomheden. Rækkevidden varierer fra 12 til 14 meter på korte afstande og 20 til 22 meter på lange afstande, afhængigt af monteringshøjden.

Note: Pilen (figur 2, punkt 4) angiver retningen på det midterste gardin og den aktive retning, når switch 4 er "OFF".

- Vælg de ønskede indstillinger for jumper og DIP-switch (se figur 7). Se afsnittet "Indstilling af detektoren" angående yderligere oplysninger.
- For at montere / fastgøre detektormodulet til monteringssocklen skal du bruge de skruer, der er anbragt i socklen i forbindelse med transport (se figur 2, punkt 5).

Gardinretningerne 1 — 9 med uret er angivet på monteringssocklen (se figur 2, punkt 6) (Gardin nr. 5 er det midterste gardin).

Valg af dækningsmønstrene

Hvis du vil have adgang til spejlet, skal du fjerne skruerne (figur 2, punkt 7) og åbne detektormodulet (figur 2, punkt 8). Marker de relevante spejlgardiner med de selvklæbende etiketter, der fulgte med, og saml detektormodulet igen. F.eks: se figur 8 angående spejlgardinets dækningsmønster, der svarer til at gardin 4 og 8 er afmasket.

Indstilling af detektoren

Se figur 7 angående jumper-indstilling i detektoren.

J1: LED indstilling

TIL: Begge LED'er er aktive (Fabriksindstilling).

FRA: Ingen LED'er er aktive.

Fjernet: Sætter begge LED'er under kontrol af Gangtest og Dag/Nat styring. Dette aktiverer alarm hukommelses funktionen for detektoren. Når detektoren er frakoblet og "input" Gangtest er deaktiveret, vil mikrobølgesektionen være slukket i DD66X, og DD66XX-AM skifter til en ultralav mikrobølge transmission. I denne konfiguration vil begge detektorer kun virke som PIR detektorer.

J2: DUAL LOOP indstilling

Dette vælger alarm og tamper relæ, således at enhver central kan tilsluttes detektoren (se figur 3 og 6).

SW 1: Polaritetsindstilling for kontrolspændingen (CV)

TIL: Aktiv høj. Giver standard Carrier Fire & Security logik med "Aktiv høj" logik for at aktivere Gangtest (WT), Dag/Nat (D/N) og fjerntest indgang (fabriksindstilling).

FRA: Aktiv lav. Giver "Aktiv lav" logik for at aktivere Gangtest (WT), Dag/Nat (D/N) og fjerntest indgang.

SW 2: Benyttes ikke

SW 3: Rækkevidde

Mikrobølgen kan vælges mellem $20 \pm 0,5$ m og $12 \pm 0,5$ m.

Note: Kun mikrobølgeintervallet reduceres, ikke PIR-afsnittet.

SW 4: Detekteringsdækning

Detekteringsdækningen kan vælges mellem 360 grader til normalt anvendelse og 180 grader til specielle anvendelser.

Note: Kun dækningen af PIR justeres.

SW 5 (kun for AM-detektorer): Når udgang signalerer AM (antimaskning) eller TF (teknisk fejl)

Note: DIP-switch 5 har kun effekt når J1 (LED indstilling) er fjernet.

TIL: Kun dag-tilstand (Day mode). Signalerer kun AM eller TF, når systemet er i Dag-tilstand. EN 50131-2-4-overensstemmelse (Fabriksindstilling).

FRA: Dag/nat-tilstand (D/N mode). Signalerer altid AM eller TF under Dag/Nat-tilstand.

SW 6 (kun for AM-detektorer): AM-følsomhed

TIL: Høj. Vælg højt niveau for AM følsomhed (EN 50131).

FRA: Standard. Vælg standard niveau for AM følsomhed (Fabriksindstilling)

Anbefalet minimum monteringshøjde for høj AM følsomhed er 3 meter.

SW 7 (kun for AM-detektorer): Afstilling af AM/TF-udgang

Note: DIP-switch 7 har kun effekt når J1 (LED indstilling) er fjernet.

Systemet afstiller kun en AM-alarm, hvis man har sørget for, at årsagen til AM-alarmen er fjernet. Hvis AM-strømkredsen ikke kan vende tilbage til de oprindelige referenceniveauer, er enten detektoren fortsat i AM-alarm eller muligvis blevet beskadiget. Ejeren bør visuelt kontrollere, at detektoren fortsat er fuldt funktionel.

TIL: Efter gangtest. Efter 40 sekunders spærret periode, afstilles AM eller TF status når en (dual) alarm bliver aktiveret.

FRA: Autoriseret nulstil. Afstiller AM- eller TF-status efter en (μ W + PIR) rumalarm, når systemet er i Dag- og gangtest tilstand. Den gule LED slukker, og systemet afstilles (fabriksindstilling).

SW 8 (kun for AM-detektorer): Signalerer AM- eller TF-udgang

TIL: AM + alarmrelæ. Signalerer AM på både AM- og alarmrelæet. Signalerer kun TF på AM-relæet (EN 50131).

FRA: Kun AM-relæ. Signalerer AM og TF på AM-relæet (fabriksindstilling).

Fjern-/selvtest (kun for AM-detektorer)

Fjerntest: Med denne test er det muligt at teste DD66XAM fra centralenheden. Brug terminal 12 for at aktivere fjerntesten. DD66XAM aktiverer alarmrelæet, hvis testresultatet er positivt og AM-relæet, hvis testresultatet er negativt.

Selvtest: DD66XAM overvåger PIR- og mikrobølgekredsløbet hver 6. time. En defekt rapporteres som en teknisk fejl. Efter en vellykket (μ W + PIR) rumalarm vil tidsintervallet mellem hver selvtest udvides med 6 timer.

Kalibrering af detektor

DDX serien af detektorer skal kalibreres efter forsyningsspændingen er tilsluttet enheden.

Det anbefales at vente 5 min. før man starter en Walk Test for at detektoren kan afslutte dens kalibreringsprocedure.

Det er også meget vigtigt at sikre sig at der ikke er nogen bevægelige objekter, indenfor detektorens rækkevidde under dens kalibreringstid.

Gangtest af detektoren

DD66X-serien har en gangtest-tilstand for test af detektorernes handling og dækningsmønster, hvis detektoren jumper (J1) er indstillet til "LED's OFF" (deaktiveret). Fjern strømforsyningen, og tilslut den igen for at gangteste detektoren. Gangtesten kan begynde, når opstartsekvensen er helt afsluttet (LED blinker i 45 eller 60 sekunder). Enheden forbliver i gangtest-tilstand i

30 minutter. Detektoren vender tilbage til normal driftstilstand, efter at gangtest tiden er udløbet.

Under Walk Test skal Installatøren passere gardinet for at aktivere enheden, og ændre afstanden til detektoren for at aktivere den indbyggede radar. Den nemmeste måde er at passere gardinet, og derefter bevæge sig mod detektoren, for at aktivere begge alarm tilstande. Se figur 4 og 5 for gardin mønster i forhold til gulvet.

Derefter skal Installatøren vente 40 sekunder, før man gentager Walk Testen på det efterfølgende gardin, i henhold til detektorens gardin mønster. **Husk:** Områder med højere radar støj, vil kræve længere tid før radarens kredsløb er stabiliseret.

GREEN tilstand (kun for AM-detektorer)

Detektoren kan blive programmeret på forskellige måder for at begrænse mikrobølgestrålingen på mennesker og dyr, selvom detektorens mikrobølge transmission er på et meget lavt niveau.

Detektoren vil afbryde mikrobølge sektionen i 3 minutter efter en dual-alarm. Detektoren er efterfølgende kun i PIR mode indtil udløb af tiden (3 min.).

Opsætning 1 J1: FRA
Opsætning 2 J1: Fjernet Systemet i tilkoblet tilstand

Mikrobølge sektionen er afbrudt og for DD66XX-AM skifter denne til en ultralav mikrobølge transmission. I denne konfiguration vil begge detektorer kun virke som PIR detektorer.

Opsætning J1: Fjernet System i frakoblet tilstand
System Walk test frakoblet

LED-angivelse

DD66X	Rød [1]	Gul [1]	Alarmrelæ	Nulstil
Opstart			Lukket	Automatisk efter 45 sekunder
Lav spænding			Åben (alarm)	Anvender korrekt spænding
(μ W + PIR) rum-indbrudsalarm			Åben (alarm)	Automatisk efter 3 sekunder
Låst PIR (hukommelse)				Skift til Nat-tilstand

DD66XAM	Rød [1]	Gul LED	Alarmrelæ	AM-relæ	Nulstil
Opstart			Lukket	Lukket	Automatisk efter 60 sekunder
Lav spænding			Åben (alarm)	Åben (alarm)	Anvender korrekt spænding
(μ W + PIR) rum-indbrudsalarm			Åben (alarm)		Automatisk efter 3 sekunder
Låst PIR (hukommelse)					Skift til Nat-tilstand
AM-alarm			Åben (alarm) [2]	Åben (alarm)	Se DIP-switch 7

DD66XAM	Rød [1]	Gul LED	Alarmrelæ	AM-relæ	Nulstil
Teknisk fejl				Åben (alarm)	Gennemført gangtest

Konstant tændt Blinker normalt (1 Hz)

[1] Trefarvet LED.

[2] Afhænger af indstillingen af DIP-switch SW8.

Specifikationer

	DD669	DD666-D	DD669AM	DD666AM-D
Detektor	μ W + PIR		μ W + PIR + AM	
Intervaldiameter (kan vælges)	20 \pm 0,5 m eller 12 \pm 0,5 m			
Visningsvinkel (kan vælges)	360 grader eller 180 grader			
Optisk	2 x 9 gardiner			
Mikrobølgefrequens	5725–5875 MHz			
Maksimal udgangs effekt	3,89 W			
Maks. mikrobølgeudgang ved 1 m	0,003 μ W /cm ²			
Hukommelse	Ja			
Indgangseffekt	9 VDC til 15 VDC (12 V nominal)			
Peak-to-peak ripple	2 V (ved 12 VDC)			
Detektoropstarttid	45 sekunder	60 sekunder		
Normalt strømforbrug	12 mA	19 mA		
Aktuelt strømforbrug ved alarm	10 mA	20 mA		
Maksimalt strømforbrug	15 mA	25 mA		
Monteringshøjde	min. 2,5 m, maks. 5,0 m			
Detekterings-hastighed	0.3 til 3.0 m/s	0.2 til 3.0 m/s	0.2 til 3.0 m/s	0.2 til 3.0 m/s
Alarm (NC) / Sabotagerelæ-egenskab	80 mA 30 VDC Form A	80 mA 30 VDC Form C	80 mA 30 VDC Form A	80 mA 30 VDC Form C
Vægsabotagekontakt	Valgfri		Indbygget (Ja)	
AM-relæ-egenskab	—		80 mA ved maks. 30 V	
Alarmtid	3 sekunder			
Driftstemperatur	–10 til +55°C			
Mål (Ø x H)	Ø 138 x 92 mm			
Relativ luftfugtighed	Maks. 95 %			
Vægt	255 g			
IP-/IK-klasse	IP30 IK04 (kun indvendig brug)			

Lovgivningsmæssig information

Producent MARKEDSFØRT AF:
Carrier Fire & Security Americas Corporation Inc.
13995 Pasteur Blvd
Palm Beach Gardens, FL 33418, USA
AUTORISERET EU-REPRÆSENTANT:
Carrier Fire & Security B.V.
Kelvinstraat 7, 6003 DH Weert, Netherlands

Advarsler og fraskrivelse vedrørende produktet



DISSE PRODUKTER ER BEREGNET TIL SALG TIL OG INSTALLATION AF KVALIFICEREDE FAGFOLK. CARRIER FIRE & SECURITY KAN IKKE GIVE NOGEN GARANTI FOR, AT EN PERSON ELLER ENHED, DER KØBER VORES PRODUKTER, INKLUSIVE EN "AUTORISERET FORHANDLER", ER BEHØRIGT UDDANNET ELLER ERFAREN TIL KORREKT INSTALLATION AF BRAND- OG SIKKERHEDSRELATEREDE PRODUKTER.

Flere oplysninger om garanti og fraskrivelse samt oplysninger om produktsikkerhed kan findes ved at gå til <https://firesecurityproducts.com/policy/product-warning/> eller scanne QR-koden.

Certificering



EU-direktiver

Carrier Fire & Security erklærer herved, at denne enhed overholder gældende regler og bestemmelser i alle gældende regler og bestemmelser, indeholdt men ikke begrænset til direktivet 2014/53/EU. For yderligere informationer se www.firesecurityproducts.com.

REACH

Produktet kan indeholde stoffer, er også er kandidatliste stoffer i en koncentration over 0,1% w/w, pr. Den seneste offentliggjorte kandidatliste, findes på ECHAs websted.

Oplysninger om sikker brug findes på <https://firesecurityproducts.com/en/content/intrusion-intro>



2012/19/EU (WEEE): Bortskaffelse af elektrisk og elektronisk udstyr har til formål at minimere den indvirkning, som affald af elektrisk og elektronisk udstyr har på miljøet og mennesker. I henhold til direktivet må elektrisk udstyr, der er mærket med dette symbol, ikke bortskaffes sammen med almindeligt husholdningsaffald i Europa. Europæiske brugere af elektrisk udstyr skal aflevere kasserede produkter til genbrug. Yderligere oplysninger findes på webstedet recyclethis.info

Kontaktinformation

www.firesecurityproducts.com eller www.aritech.com

DE: Installationsanweisungen

Einführung

Die DD66X/AM-Produktfamilie umfasst Dual-/Dual-AM-Bewegungsmelder. Sie sind mit der patentierten Range Controlled Radar-Technologie (Entfernungsgesteuerter Radar) ausgestattet.

Installationsanleitungen

Der Melder ist für die Deckenmontage konzipiert. Die folgenden Richtlinien helfen Ihnen bei der Auswahl einer geeigneten Montageposition für den Melder.

- Montieren Sie den Melder so, dass die Bewegungen eines Eindringlings quer zum Erfassungsbereich stattfinden müssen (Abb. 4 und 5).
- Montieren Sie den Melder auf einer stabilen Fläche in einer Höhe zwischen 2,5 m und 5,0 m.

- Montieren Sie den Melder nicht innerhalb eines Umkreises von 0,5 m um metallische Objekte oder innerhalb eines Umkreises von 1,5 m um fluoreszierende Beleuchtung.
- Stellen Sie keine Objekte vor den Melder, die den Erfassungsbereich beeinträchtigen könnten (Abb. 1).
- Montieren Sie mehrere Melder in einem Abstand von mindestens 6 m zueinander, und verwenden Sie die Einstellung für eine kurze Reichweite, um Störungen zu vermeiden.

Die Dualtechnologie dieses Melders dient zur Vermeidung falscher Alarmmeldungen. Dennoch sollten Sie potenzielle Fehlalarmfaktoren vermeiden, z. B.:

Risiken für PIR (Abb. 1)

- Direkte Sonneneinstrahlung auf den Melder
- Hitzequellen innerhalb des Erfassungsbereichs
- Starke Luftströmungen am Melder
- Tiere innerhalb des Erfassungsbereichs
- Verdecken des Erfassungsbereichs des Melders durch große Objekte, z. B. Möbel

Risiken für Mikrowellen

- Vibrationsanfällige Montagefläche
- Metallische Oberflächen, die Mikrowellen reflektieren
- Durch Kunststoffleitungen fließendes Wasser
- Bewegte oder vibrierende Objekte wie Ventilatoren, Heizungs- oder Klimaanlageausgänge



WARNUNG! Das Gerät ist nicht geerdet. Jeder externe Stromkreis, der an das Gerät angeschlossen ist, muss sich im selben Gebäude befinden und mit einem Schutzleiter verbunden sein.

Die Aderisolation von Kabeln, die an das Gerät angeschlossen sind, muss den Anforderungen der IEC 60332-1-2 und IEC 60332-1-3 oder IEC 60332-2-2-2, abhängig von der Drahtquerschnittsfläche, oder der IEC TS 60695-11-21 entsprechen, unabhängig von der Querschnittsfläche. Alternativ müssen diese Leitungen der UL 2556 VW-1 entsprechen.

Die Leistung der Spannungsquelle muss auf 15 W begrenzt sein.

Carrier Fire & Security empfiehlt, in regelmäßigen Abständen einen Gehtest durchzuführen und die Reaktion der Einbruchmeldezentrale zu überprüfen.

Installation des Melders

1. Heben Sie die Montageplatte ab (siehe Abb. 2, Position 1).
2. Befestigen Sie die Montageplatte mithilfe von Montagebohrungen an einer geeigneten Position an der Decke (siehe Abb. 2, Position 2). Montagehöhe: min. 2,5 m — max. 5,0 m. Spezifizierte Schrauben: DIN 7996, 4 mm.
3. Der Erfassungsbereich kann um bis zu $\pm 15^\circ$ (max 30°) verändert werden, indem Sie die Montageplatte vor dem Anziehen der Schrauben entsprechend drehen.
4. Verdrahten Sie den Melder (siehe Abb. 2, 3, 6).

Durch eine höhere Montagehöhe als die empfohlenen 2,5 bis 5,0 m verringert sich die Meldeempfindlichkeit. Die Erfassungsreichweite liegt je nach Montagehöhe zwischen

12 und 14 m bei kurzer Reichweite und zwischen 20 und 22 m bei langer Reichweite.

Hinweis: Der Pfeil (Abb. 2, Position 4) gibt die Mittelvorhang-Richtung und die aktive Richtung an, wenn sich Schalter 4 in der Position "OFF" befindet.

5. Wählen Sie die gewünschten Steckbrücken- und DIP-Schaltereinstellungen aus (siehe Abb. 7). Weitere Informationen hierzu finden Sie im Abschnitt "Einstellen des Melders".
6. Verwenden Sie zur Montage des Sensormoduls auf der Montageplatte die Schrauben, die sich beim Transport in der Montageplatte befinden (siehe Abb. 2, Position 5).

Auf der Montageplatte sind die Vorhangrichtungen 1–9 im Uhrzeigersinn angegeben (siehe Abb. 2, Position 6) (Vorhang Nr. 5 ist der Mittelvorhang).

Auswählen der Erfassungsbereiche

Der Spiegel ist zugänglich, indem Sie die Schrauben entfernen (Abbildung 2, Position 7) und das Sensormodul öffnen (Abbildung 2, Position 8). Maskieren Sie die entsprechenden Spiegelvorhänge mit den selbstklebenden Etiketten, und setzen Sie das Sensormodul wieder zusammen. Ein Beispiel: Abb. 8 zeigt den Vorhangbereich für die maskierten Vorhänge 4 und 8.

Einstellen des Melders

Abbildung 7 zeigt die Steckbrückenpositionen im Melder.

J1: LED-Einstellung

On: Permanente Freigabe beider Melder LED's (Werkseinstellung).

Off: Permanente Abschaltung beider Melder LED's.

Abgezogen: Beide Melder LED's werden durch die Ausgänge für Gehtest und Scharf/Unscharf der Zentrale gesteuert. Über den S/U Ausgang kann der Alarmspeicher des Melders aktiviert werden. Im unscharfen Zustand und abgeschalteter Gehtestfunktion wird die Mikrowellenkomponente des DD66X abgeschaltet und bei DD66XAM nur für die Abdecküberwachung verwendet. In dieser Konfiguration funktioniert der Melder nur als passiver PIR-Melder.

J2: Dual-MG Einstellung

Diese Einstellung wirkt auf das Alarm- und Sabotagerelais und ermöglicht die Anschaltung des Melders an jede beliebige konventionelle Einbruchmeldezentrale (siehe Abb. 5 und 6).

SW 1: Polaritätseinstellung der Steuerspannung (CV)

EIN: Aktiv High: Auswahl der Standard Carrier Fire & Security Logik mit "Aktiv High" Ansteuerung der Gehtestfunktion (WT); Alarmspeicher (D/N) und des Ferntesteingangs (Werkseinstellung)

AUS: Aktiv Low. Auswahl der "Aktiv Low" Ansteuerung der Eingänge Gehtest (WT), Alarmspeicher (D/N) und Ferntest.

SW 2: Nicht verwendet

SW 3: Reichweite des Melders

Der Mikrowellenbereich kann zwischen 20 ±0,5 m und 12 ±0,5 m festgelegt werden.

Hinweis: Es wird ausschließlich der Mikrowellenbereich reduziert, nicht der PIR-Bereich.

SW 4: Erfassungsbereich

Der Erfassungsbereich kann auf einen Wert zwischen 360 Grad bei normalen Anwendungen und 180 Grad bei Sonderanwendungen festgelegt werden.

Hinweis: Es wird nur der Erfassungsbereich für PIR angepasst.

SW 5 (nur für AM-Melder): Signalisierung von AM-(Abdeckung) oder TF-Ausgabe (Technische Fehler)

Hinweis: Schalter 5 ist nur wirksam, wenn die Steckbrücke J1 (LED-Einstellung) entfernt wurde.

EIN: Nur bei Unscharf: Signalisiert AM oder TF nur, wenn sich das System im Tagbetrieb (unscharf) befindet. Entspricht EN 50131-2-4 (Werkseinstellung).

AUS: Unscharf/Scharf-Betrieb: Meldet immer AM oder TF im Unscharf- und Scharf-Betrieb.

SW 6 (nur für AM-Melder): AM-Empfindlichkeit

EIN: High. Auswahl der hohen AM-Empfindlichkeit (EN 50131).

AUS: Standard. Auswahl der Standard AM-Empfindlichkeit (Werkseinstellung).

Die empfohlene Mindestmontagehöhe für die hohe AM-Empfindlichkeit beträgt 3 m (9 ft. 10 in.)

SW 7 (nur für AM-Melder): Zurücksetzen des AM/TF-Ausgangs

Hinweis: Schalter 7 ist nur wirksam, wenn die Steckbrücke J1 (LED-Einstellung) entfernt wurde.

Das System setzt einen AM-Alarm erst zurück, nachdem sichergestellt wurde, dass die Ursache des AM-Alarm behoben wurde. Wenn der AM-Schaltkreis nicht zu seiner ursprünglichen Referenzebene zurückkehren kann, ist der Melder entweder noch abgedeckt oder wurde möglicherweise beschädigt. Der Betreiber sollte dann überprüfen, ob der Melder noch voll funktionsfähig ist.

EIN: Nach Gehtest. Nach einer Sperrzeit von 40 Sekunden kann der AM oder TF-Zustand durch eine erfolgreiche Bewegungserkennung des Melders (Dual) zurückgesetzt werden.

AUS: Autorisiertes Zurücksetzen (Werkseinstellung). Setzt den AM- oder TF-Status nach einem (Dual-)Bewegungsalarm zurück, wenn sich das System im Unscharf- UND Gehtest-Modus befindet. Die gelbe LED erlischt, und das System wird zurückgesetzt.

SW 8 (nur für AM-Melder): Signalisierung von AM- oder TF-Ausgabe

EIN: AM + Alarmrelais. Signalisiert AM (Abdecküberwachung) auf dem AM- und dem Alarmrelais. Signalisiert TF nur auf dem AM-Relais (EN 50131).

AUS: Nur AM-Relais. Signalisiert AM und TF auf dem AM-Relais (Werkseinstellung).

Fern-Selbsttest (nur für AM-Melder)

Fern-Test: Mit diesem Test kann der DD66XAM über die Einbruchmeldezentrale geprüft werden. Verwenden Sie Anschluss 12, um den Fern-Test zu aktivieren. Der DD66XAM aktiviert das Alarmrelais, wenn das Testergebnis positiv ist. Bei einem negativen Testergebnis wird das AM-Relais aktiviert.

Selbsttest: Der DD66XAM überwacht die PIR- und Mikrowellenschaltkreise alle 6 Stunden. Ein Defekt wird als

technischer Fehler gemeldet. Nach einem erfolgreichen (Dual)Bewegungsalarm wird das Zeitintervall zwischen Selbsttests um 6 Stunden verlängert.

Melder-Selbstkalibrierung

Die DD66X Melderbaureihe erfordert eine Selbstkalibrierung, nachdem die Versorgungsspannung angelegt wurde.

Es wird empfohlen 5 Minuten vor Ausführung eines Gehtests zu warten, damit der Melder seine Selbstkalibrierungs-Prozedur abschließen kann.

Weiterhin wird dringend empfohlen dafür zu sorgen, dass sich während der Kalibrierungszeit keine bewegenden Objekte innerhalb des Erfassungsbereichs befinden.

Durchführen eines Gehtests

Die DD66X-Serie verfügt über einen Gehtestmodus zum Testen des Melderbetriebs und des Erfassungsbereichs, wenn die Steckbrücke J1 des Melders auf "LEDs deaktiviert" gesetzt ist. Um einen Gehtest für den Melder durchzuführen, schalten Sie die Versorgungsspannung aus und anschließend wieder ein. Der Gehtestmodus wird eingeschaltet, sobald die Startsequenz vollständig abgeschlossen ist (LED blinkt für 45 oder 60 Sekunden). Das Gerät bleibt für 30 Minuten im Gehtestmodus. Der Melder kehrt in seinen normalen Betriebszustand nach Ablauf der Gehtestmodus-Testzeit zurück.

Während des Gehtests sollte der Techniker einen Erfassungsvorhang durchqueren, um die PIR-Komponente auszulösen. Nachfolgend ist der Abstand zu dem Melder zu verändern, um die Radar-Komponente auszulösen. Die einfachste Methode besteht darin, einen ausgewählten Erfassungsvorhang zu durchqueren und sich nachfolgend in Richtung Melder zu bewegen, um einen Dualalarm zu aktivieren. Siehe Abbildung 4 und 5 der Vorhang-Bodenerfassung.

Als nächstes sollte der Techniker 40 Sekunden warten, bevor der Gehtest für die nachfolgenden Erfassungsvorhänge wiederholt werden kann. **Hinweis:** Eine Umgebung mit höherem Mikrowellenrauschen kann eine längere Ruhezeit für die Stabilisierung des Radar-Schaltkreises erfordern.

GRÜNER Betrieb (nur für AM-Melder)

Obwohl der Melder nur ein sehr schwaches Mikrowellensignal aussendet, kann der Melder auf verschiedene Weise so programmiert werden, dass Menschen und Tiere nur einer minimalen Mikrowellenstrahlung ausgesetzt werden.

Der Melder schaltet seine Mikrowellenkomponente für 3 Minuten nach einem Dual-Alarm ab. Während der Abschaltung wirkt der Melder nur als PIR-Melder.

Einstellungsoption 1 J1: Off

Einstellungsoption 2 J1: Abgezogen System im scharfen Zustand

Die Mikrowellenkomponente ist abgeschaltet und bei DD66XAM auf AM-Abdeckerkennung geschaltet. Der Melder wirkt hierbei nur als PIR-Melder.

Einstellung J1: Abgezogen System im unscharfen Zustand
System Gehtest abgeschaltet

LED-Anzeige

DD66X Dual	Rot [1]	Gelb [1]	Alarmrelais	Zurücksetzen
Start			Geschl.	Automatisch nach 45 s
Geringe Spannung			Offen (Alarm)	Korrekte Spannung verwenden
(Dual)-Bewegungseinbruchalarm			Offen (Alarm)	Automatisch nach 3 s
Alarmspeicher PIR				Umschalten in Scharfbetrieb

DD66XAM Dual / AM	Rot [1]	Gelbe LED	Alarmrelais	AM-Relais	Zurücksetzen
Start			Geschl.	Geschl.	Automatisch nach 60 s
Geringe Spannung			Offen (Alarm)	Offen (Alarm)	Korrekte Spannung verwenden
(Dual)-Bewegungseinbruchalarm			Offen (Alarm)		Automatisch nach 3 s
Alarmspeicher PIR					Umschalten in Scharfbetrieb
AM-Alarm			Offen [2] (Alarm)	Offen (Alarm)	Siehe DIP-Schalter 7
Technischer Fehler				Offen (Alarm)	Erfolgreicher Gehtest

Leuchtet durchgehend Blinkt normal (1 Hz)

[1] Dreifarbige LED.

[2] Abhängig von der Einstellung des DIP-Schalters SW8.

Technische Daten

	DD669	DD666-D	DD669AM	DD666AM-D
Melder	Dual		Dual + AM	
Bereichsdurchmesser (wählbar)	20 ± 0,5 m oder 12 ± 0,5 m			
Sichtwinkel (wählbar)	360 Grad oder 180 Grad			
Optisch	2 x 9 Vorhang			
Mikrowellenfrequenz	5725–5875 MHz			
Maximale Ausgangsleistung	3,89 W			
Max. Mikrowellenleistung bei 1 m	0,003 µW/cm²			
Alarmspeicher	Ja			
Versorgungsspannung	9 V bis 15 V Gleichspannung (12 V nominal)			
Spitze/Spitze-Brummspannung	2 V (bei 12 V Gleichspannung)			
Melder-einschaltzeit	45 s		60 s	
Normale Stromaufnahme	12 mA		19 mA	

	DD669	DD666-D	DD669AM	DD666AM-D
Stromaufnahme bei Alarm	10 mA		20 mA	
Maximale Stromaufnahme	15 mA		25 mA	
Montagehöhe	2.5 bis 5.0 m			
Erfassungsgeschwindigkeitsbereich	0.3 bis 3.0 m/s	0.2 bis 3.0 m/s	0.2 bis 3.0 m/s	0.2 bis 3.0 m/s
Alarmrelais (NC) / Sabotagerelais-schaltleistung	80 mA 30 V Gleichspannung Form A	80 mA 30 V Gleichspannung Form C	80 mA 30 V Gleichspannung Form A	80 mA 30 V Gleichspannung Form C
Abreißkontakt	Optional		Intern (Ja)	
Kennwerte AM-Relais	—		80 mA bei 30 V Gleichspannung max.	
Alarmdauer	3 Sek.			
Betriebs-temperatur	-10 bis +55°C (14 bis 130°F)			
Abmessungen (Ø x H)	Ø 138 x 92 mm			
Relative Luftfeuchtigkeit	Max. 95 %			
Gewicht	255 g			
IP/IK-Einstufung	IP30 IK04 (Nur für den Innenbereich geeignet)			
VdS-Umweltklasse	—	Gepr. nach Klasse 2	—	Gepr. nach Klasse 2
VdS-Anerkennung	—	G110510	—	G110511

Hinweise für VdS-Installationen

In VdS-Installationen muß ein VdS-Plombiersiegel über den Deckel und den Meldersockel geklebt werden. Die VdSPlombiersiegel können unter der Bestellnummer Aritech VS00 (50 Siegel pro Blatt) bestellt werden.

Rechtliche Hinweise

Hersteller INVERKEHRBRINGER:
Carrier Fire & Security Americas Corporation Inc.
13995 Pasteur Blvd
Palm Beach Gardens, FL 33418, USA
BEVOLLMÄCHTIGTER EU REPRÄSENTANT:
Carrier Fire & Security B.V.
Kelvinstraat 7, 6003 DH Weert, Niederlande

Produktwarnungen und Haftungsausschluss



DIESE PRODUKTE SIND FÜR DEN VERKAUF AN UND DIE INSTALLATION DURCH QUALIFIZIERTES PERSONAL VORGEGEHEN. CARRIER FIRE & SECURITY ÜBERNIMMT KEINERLEI GEWÄHRLEISTUNG DAFÜR, DASS NATÜRLICHE ODER JURISTISCHE PERSONEN, DIE UNSERE PRODUKTE ERWERBEN, SOWIE „AUTORISIERTE HÄNDLER“ ODER „AUTORISIERTE WIEDERVERKÄUFER“ ÜBER DIE ERFORDERLICHE QUALIFIKATION UND ERFAHRUNG VERFÜGEN, UM BRANDSCHUTZ- ODER SICHERHEITSTECHNISCHE PRODUKTE ORDNUNGSGEMÄSS ZU INSTALLIEREN. Weitere Informationen zu Haftungsausschlüssen sowie zur Produktsicherheit finden Sie unter <https://firesecurityproducts.com/policy/product-warning/>, oder scannen Sie den QR-Code.

Zertifizierung



Carrier Fire & Security erklärt hiermit, dass dieses Gerät den geltenden Anforderungen und Bestimmungen aller anwendbaren Regeln und Vorschriften entspricht - einschließlich, aber nicht beschränkt auf die Richtlinie 2014/53/EU. Für weitere Informationen siehe firesecurityproducts.com

VdS DD669, DD666-D: G110510
DD666AM-D: G110511

REACH Das Produkt kann Stoffe enthalten, die auch unter Stoffe der Kandidatenliste in einer Konzentration von mehr als 0,1 % w/w gemäß der zuletzt veröffentlichten Kandidatenliste auf der ECHA-Website aufgeführt sind.

Informationen zur sicheren Verwendung finden Sie unter <https://firesecurityproducts.com/en/content/intrusion-intro>



2012/19/EU (WEEE): Produkte die mit diesem Symbol gekennzeichnet sind, dürfen nicht als unsortierter städtischer Abfall in der europäischen Union entsorgt werden. Für die korrekte Wiederverwertung bringen Sie dieses Produkt zu Ihrem lokalen Lieferanten nach dem Kauf der gleichwertigen neuen Ausrüstung zurück, oder entsorgen Sie das Produkt an den gekennzeichneten Sammelstellen. Weitere Informationen hierzu finden Sie auf der folgenden Website: recyclethis.info

Kontaktinformationen

www.firesecurityproducts.com oder www.aritech.com

ES: Instrucciones de instalación

Introducción

La familia DD66X/AM se compone de sensores de movimiento Dual/Dual-AM. Cuentan con la tecnología patentada Range Controlled Radar.

Instrucciones para la instalación

El detector puede montarse en el techo. Siga estas instrucciones para determinar la mejor ubicación para instalar el detector:

- Monte el detector de forma que el movimiento previsto de un intruso cruce el patrón de detección (figuras 4 y 5).
- Monte el detector en una superficie estable a una altura de entre 2,5 m (8' 2") y 5,0 m (16' 5").
- No debe montar el detector a menos de 0,5 m (1' 8") de objetos metálicos ni a menos de 1,5 m (4' 11") de luces fluorescentes.
- No coloque objetos delante del detector que puedan dificultar la visión del detector (figura 1).
- Monte los detectores a una distancia mínima de 6 m y utilice la configuración de corto alcance para evitar interferencias.

La tecnología de procesamiento dual de este detector es muy segura ante el riesgo de falsas alarmas. Sin embargo, debe evitar potenciales causas de falsas alarmas, como:

Riesgos de PIR (figura 1)

- Luz solar directa en el detector
- Fuentes de calor dentro del campo de visión
- Fuertes corrientes de aire sobre el detector
- Animales en el campo de visión
- Oscurecer el campo de visión del detector con objetos de gran tamaño, como por ejemplo mobiliario

Peligros de microondas

- Superficie de montaje sensible a las vibraciones
- Superficies metálicas que reflejen la energía de las microondas
- Movimiento de agua por tuberías de plástico
- Movimiento o vibración de objetos como ventiladores y conductos de calefacción o aire acondicionado



ADVERTENCIA! El equipo no está conectado a tierra. Cualquier circuito externo conectado al equipo debe estar situado dentro del mismo edificio y conectado a tierra.

El aislamiento de los cables conectados al equipo debe cumplir con las normas IEC 60332-1-2 e IEC 60332-1-3 o IEC 60332-2-2-2, dependiendo de la sección del cable, o IEC TS 60695-11-21, independientemente de la sección. Alternativamente, estos cables deben cumplir con UL 2556 VW-1.

La fuente de alimentación del detector debe tener una potencia de 15 W.

Carrier Fire & Security recomienda que se realice una prueba de detección en el detector regularmente y que se compruebe en el panel de control.

Instalación del detector

1. Levante la placa de montaje (consulte la figura 2, elemento 1).
2. Asegure la placa de montaje al techo en la posición adecuada mediante los orificios de montaje (consulte la figura 2, elemento 2). Altura de instalación especificada: mín. 2.5 m (8' 2") - max. 5.0 m (16' 5"). Tornillos especificados: DIN 7996, 4 mm.
3. El patrón de detección se puede ajustar hasta $\pm 15^\circ$ (máx. 30°) girando la placa de montaje antes de apretar los tornillos.
4. Conecte el detector (consulte la figuras 2, 3, 6).

El aumento de la altura de instalación por encima del valor especificado de 2,5 a 5 m reducirá la sensibilidad. El rango varía entre 12 y 14 metros a corto alcance y entre 20 y 22 metros a largo alcance, en función de la altura de instalación.

Nota: La flecha (figura 2, elemento 4) indica la dirección de la cortina central y la dirección activa cuando el interruptor 4 está en "OFF" (Desactivado).

5. Seleccione el puente que desee y la configuración de los conmutadores DIP (consulte la figura 7). Consulte la sección "Configuración del detector" para obtener más información.

6. Para montar el módulo del sensor en la placa de montaje, utilice los tornillos proporcionados para su transporte en la placa de montaje (consulte la figura 2, elemento 5).

Las direcciones de la cortina 1 a 9 en el sentido de las agujas del reloj se indican en la placa de montaje (consulte la figura 2, elemento 6) (La cortina nº 5 es la cortina central).

Selección de patrones de alcance

Para acceder al espejo, afloje los tornillos (figura 2, elemento 7) y abra el módulo del sensor (figura 2, elemento 8). Oculte las cortinas de espejo elegidas con las etiquetas adhesivas proporcionadas y vuelva a montar el módulo del sensor. Por ejemplo: consulte la fig. 8 para ver el patrón de alcance de la cortina de espejo correspondiente a las cortinas ocultas 4 y 8.

Configuración del detector

Vea la figura 7 para consultar las ubicaciones de los puentes en el detector.

J1: Configuración de los LEDs

On: Habilita ambos LEDs del detector (Por defecto).

Off: Deshabilita ambos LEDs del detector.

Quitado: Coloca ambos LEDs bajo el control de el Test de Paseo y la entrada Dia/Noche. Esto activa la opción de memoria del detector. Cuando el detector es Desarmado y la entrada Walk Test es deshabilitado, se desactiva la sección microondas en el DD66X y la detección antimasking en el DD66XAM. Con esta configuración el detector opera solo como un PIR.

J2: Configuración doble lazo

Esto configure el funcionamiento de los relés de alarma y tamper. Esto permite conectar el detector a cualquier panel de control (figuras 5 y 6).

SW 1: Configuración de la polaridad del Control de tensión (CV)

On: Activo alto. Facilita la señal standar Carrier Fire & Security con "Activo alto" para habilitar el Walk Test (WT), Dia/Noche (D/N), y entrada de Test remoto (Valores por defecto).

Off: Activo bajo. Facilita la señal "Activo bajo" para habilitar el Walk Test (WT), Dia/Noche (D/N), y entrada de Test remoto.

SW 2: No utilizado

SW 3: Alcance del detector

Las microondas se pueden configurar con un rango de entre $20 \pm 0,5$ m y $12 \pm 0,5$ m.

Nota: Sólo se reducirá el rango de las microondas, no el de la sección PIR.

SW 4: Alcance de detección

El alcance de detección se puede establecer entre 360 grados, para una aplicación normal, y 180 grados para aplicaciones especiales.

Nota: Sólo se ajustará el alcance de la sección PIR.

SW 5 (sólo a los detectores AM): Activación de señales de salida AM (antimáscara) o TF (error técnico)

Nota: El microinterruptor 5 funciona solo cuando J1 (Programación de LED) esta quitado.

On: Sólo modo Día. Activa señales AM o TF sólo cuando el sistema está en modo Día. Compatible con EN 50131-2-4 (programación por defecto).

Off: Modo Día/Noche. Siempre activa señales AM o TF durante el modo Día y Noche.

SW 6 (sólo a los detectores AM): Sensibilidad AM

On: Alto. Selecciona nivel Ato de sensibilidad Antimasking AM (EN 50131).

Off: Standar. Selecciona nivel standard de sensibilidad Antimasking AM (Valor por defecto).

Altura mínima de montaje para nivel alto de sensibilidad AM es 3 m.

SW 7 (sólo a los detectores AM): Restablecimiento de la señal AM/TF

Nota: El microinterruptor 7 funciona solo cuando J1 (Programación de LED) esta quitado.

El sistema sólo restablecerá una alarma AM tras comprobar la eliminación de la causa de la alarma AM. Si el circuito AM no puede volver a sus niveles de referencia originales, es posible que el detector aún esté oculto o que se encuentre dañado. En este caso, el propietario debe comprobar visualmente si el detector sigue funcionando.

On: Prueba de detección posterior. Después de un periodo de inhibición de 40 seg, resetea el estado AM ó TF, cuando se genera una alarma de movimiento (Dual).

Off: Restablecimiento autorizado. Restablece el estado AM o TF después de una alarma de movimiento (doble) cuando el sistema se encuentra en estado Día o Prueba de detección. El LED amarillo se apagará y el sistema se restablecerá (programación por defecto).

SW 8 (sólo a los detectores AM): Activación de señales de salida AM o TF

On: Relé de AM + alarma. Activa señales AM en los relés de AM y Alarma. Activa señales TF sólo en el relé de AM (EN 50131).

Off: Sólo relé de AM. Envía señales AM y TF en el relé de AM (programación de fábrica).

Prueba remota/Autotest (sólo a los detectores AM)

Prueba remota: esta prueba permite probar el DD66XAM desde el panel de control. Utilice el terminal 12 para activar la prueba remota. El DD66XAM activará el relé de alarma si el resultado es positivo y el relé de AM si el resultado es negativo.

Autotest: el DD66XAM supervisa los circuitos PIR y de microondas cada 6 horas. Un defecto se notifica como un error técnico. Tras producirse una alarma de movimiento (doble) correctamente, el intervalo de tiempo entre cada autotest se ampliará en 6 horas.

Autocalibración de detector

Los detectores de la serie DD66X necesitan un tiempo de autocalibración después de ser alimentados.

Se recomienda esperar 5 minutos antes de iniciar los test de paseo para completar el ajuste del detector.

Es también altamente recomendable asegurarse que no existan objetos en movimiento en la zona de cobertura del detector durante el proceso de autocalibración.

Prueba de detección en el detector

La serie DD66X proporciona un modo de prueba de detección para probar el funcionamiento y el patrón de alcance de los detectores si los LED están desactivados. Para realizar la prueba de detección, desconecte la tensión de alimentación y vuelva a suministrarla. El modo de prueba de detección se puede iniciar una vez que haya finalizado completamente la secuencia de inicio (el LED parpadea durante 45 o 60 segundos). La unidad permanecerá en modo de prueba de detección durante 30 minutos. El detector vuelve al funcionamiento normal después de la finalización del tiempo de Walk Test.

Durante el test de paseo, el instalador debe atravesar al menos una cortina para disparar la parte PIR del detector, y cambiar la distancia al detector para disparar la parte de radar. El método más sencillo es cruzar una cortina y posteriormente moverse hacia el detector para activar una alarma dual. Revise las figuras 4 y 5 para comprobar los patrones de suelo de las cortinas

A continuación, el instalador deberá esperar 40 segundos antes de repetir los test de paseo en las diferentes cortinas del patrón de detección. **Nota:** Un entorno con niveles de señales de microondas elevados, necesitara un tiempo de reposo más elevado para que los circuitos de radar del detector se estabilicen.

Modo VERDE (sólo a los detectores AM)

El detector puede ser programado de varias formas para minimizar la exposición de la radiación microondas a las personas y los animales, aunque el detector ya está trabajando con una muy baja potencia de señal de microondas.

El detector apagará la parte microondas durante 3 minutos después de una alarma dual. El detector funcionará solo en modo PIR durante este tiempo.

Valores opción 1 J1: Off

Valores opción 2 J1: Quitado Sistema en estado armado

La sección microondas o la sección AM se desconectan. El detector funciona solo en modo PIR.

Valores J1: Quitado Sistema en estado desarmado
Sistema en modo test desactivado

Indicación LED

DD66X	Rojo [1]	Amarillo [1]	Relé de alarma	Restablecimiento
Inicio			Cerrado	Automáticamente tras 45 seg.
Tensión baja			Abierto (alarma)	Aplicar tensión correcta
Alarma de movimiento de intruso (doble)			Abierto (alarma)	Automáticamente tras 3 seg.

DD66X				
	Rojo [1]	Amarillo [1]	Relé de alarma	Restablecimiento
PIR (memoria)				Cambiar a modo Noche

DD66XAM					
	Rojo [1]	LED amarillo	Relé de alarma	Relé de AM	Restablecimiento
Inicio			Cerrado	Cerrado	Automát. tras 60 seg.
Tensión baja			Abierto (alarma)	Abierto	Aplicar tensión correcta
Alarma de movimiento de intruso (doble)			Abierto (alarma)		Automát. tras 3 seg.
PIR (memoria)					Cambiar a modo Noche
Alarma de AM			Abierto (alarma) [2]	Abierto (alarma)	Consultar interruptor DIP 7
Error técnico				Abierto (alarma)	Prueba de detección

Siempre en Parpadeo Normal (1 Hz)

[1] LED tricolor.

[2] Depende de la configuración del interruptor DIP 8.

Especificaciones

	DD669	DD666-D	DD669AM	DD666AM-D
Detector	Dual		Dual + AM	
Diámetro de alcance (seleccionable)	20 ± 0,5 m o 12 ± 0,5 m			
Ángulo de visión (seleccionable)	360 grados o 180 grados			
Óptico	Cortina de 2 x 9			
Frecuencia de microondas	5725–5875 MHz			
Maxima potencia de salida	3,89 W			
Salida máx. de microondas en 1 m	0,003 µW/cm²			
Memoria	Sí			
Alimentación de entrada	9 VCC a 15 VCC (12 V nominal)			
Tensión de pico a pico	2 V (a 12 VCC)			
Tiempo de arranque del detector	45 seg.		60 seg.	
Consumo de corriente normal	12 mA		19 mA	
Consumo de corriente en Alarma	10 mA		20 mA	
Consumo de corriente máximo	15 mA		25 mA	

	DD669	DD666-D	DD669AM	DD666AM-D
Altura de instalación	mín. 2,5 m, máx. 5 m			
Rango de velocidades del objeto	mín. 0.3, máx. 3.0 m/s	mín. 0.2, máx. 3.0 m/s	mín. 0.2, máx. 3.0 m/s	mín. 0.2, máx. 3.0 m/s
Característica Relé de Alarma (NC) / Tamper	80 mA 30 VCC Formato A	80 mA 30 VCC Formato C	80 mA 30 VCC Formato A	80 mA 30 VCC Formato C
Tamper de pared	Opcional		En la placa (sí)	
Característica Relé de AM	—		80 mA a 30 VCC máx.	
Tiempo de alarma	3 s			
Temperatura de funcionamiento	-10 a +55 °C			
Dimensiones (Ø x Al)	Ø 138 x 92 mm			
Humedad relativa	Máx. 95%			
Peso	255 g			
Rango de IP/IK	IP30 IK04 (solo uso en interior)			

Información normativa

Fabricante COLOCADO EN EL MERCADO POR:
Carrier Fire & Security Americas Corporation Inc.
13995 Pasteur Blvd
Palm Beach Gardens, FL 33418, EE. UU.
REPRESENTANTE AUTORIZADO DE LA UE:
Carrier Fire & Security B.V.
Kelvinstraat 7, 6003 DH Weert, Países Bajos

Advertencias del producto y descargos de responsabilidad



ESTOS PRODUCTOS ESTÁN DESTINADOS A LA VENTA A, E INSTALACIÓN POR, UN PROFESIONAL DE SEGURIDAD EXPERIMENTADO. CARRIER FIRE & SECURITY NO PUEDE GARANTIZAR QUE TODA PERSONA O ENTIDAD QUE COMPRE SUS PRODUCTOS, INCLUYENDO CUALQUIER "DISTRIBUIDOR O VENDEDOR AUTORIZADO", CUENTE CON LA FORMACIÓN O EXPERIENCIA PERTINENTE PARA INSTALAR CORRECTAMENTE PRODUCTOS RELACIONADOS CON LOS INCENDIOS Y LA SEGURIDAD.

Para obtener más información sobre exclusiones de garantía e información de seguridad de productos, consulte <https://firesecurityproducts.com/policy/product-warning/> o escanee el código QR.

Certificado



Directivas de la Unión Europea

Carrier Fire & Security declara por este medio que este dispositivo cumple con los requisitos y disposiciones aplicables de todas las reglas y regulaciones aplicables, incluyendo pero no limitado a la Directiva 2014/53/EU. Para mas información consulte www.firesecurityproducts.com

REACH Los productos REACH pueden contener sustancias que están incluidas en la Lista de sustancias Candidatas en una concentración en peso superior al 0,1%, según la más reciente Lista de sustancias Candidatas publicada en la Web de ECHA.

Puede encontrar información sobre su uso seguro en <https://firesecurityproducts.com/en/content/intrusi-on-intro>



2012/19/EU (WEEE): Los productos marcados con este símbolo no se pueden eliminar como basura normal sin clasificar en la Unión Europea. Para el reciclaje apropiado, devuelva este producto a su distribuidor al comprar el nuevo equipo equivalente, o deshágase de él en los puntos de reciclaje designados. Para más información : recyclethis.info

Información de contacto

www.firesecurityproducts.com o www.aritech.com

FI: Asennusohjeet

Johdanto

DD66X/AM-tuoteperhe koostuu Yhdistelmä-/Yhdistelmä-AM-liikeilmaisimista. Niissä on patentoitu kantamarajoitettu mikroalotekniikka.

Asennusohjeet

Ilmaisim kiinnitetään kattoon. Määritä ilmaisimen paras asennuspaikka seuraavien ohjeiden mukaan:

- Asenna ilmaisim siten, että tunkeutujan odotettu liike kulkee tunnistusalueen poikki (kuva 4, 5).
- Kiinnitä ilmaisim vakaalle alustalle 2,5 - 5,0 metrin korkeuteen.
- Ilmaisim on kiinnitettävä vähintään 0,5 metrin etäisyydelle metalliesineistä ja 1,5 metrin etäisyydelle loistevaloista.
- Älä aseta ilmaisimen eteen mitään esineitä, jotka saattavat aiheuttaa esteitä näkökenttään (kuva 1).
- Asenna ilmaisimet vähintään 6 metrin päähän toisistaan ja käytä lyhyen kantaman asetusta keskinästen mikroaaltohäiriöiden välttämiseksi.

Tämän ilmaisimen kaksoisprosessointitekniikka laukaisee vääriä hälytyksiä hyvin harvoin. Mahdollisten väärien hälytysten aiheuttajia kannattaa kuitenkin välttää. Tällaisia ovat esimerkiksi:

IR-haittatekijät (kuva 1)

- Suora auringonvalo ilmaisimeen
- Lämmönlähteet tunnistusalueella
- Voimakas ilmavirta ilmaisimeen
- Suuret eläimet tunnistusalueella
- Suuret esineet ilmaisimen valvonta-alalla kuten huonekalut

Mikroaaltoja haittaavat tekijät

- Tärähdyksille alltiit kiinnitysalueet
- Mikroaaltosäteilyä heijastavat metallipinnat
- Muoviputkissa liikkuva vesi

- Liikkuvat tai tärisevät esineet, kuten tuulettimet, lämmityslaitteet tai ilmastointikanavat



VAROITUS! Laitetta ei ole maadoitettu. Kaikkien laitteeseen kytkettyjen ulkoisten piirien on sijaittava samassa rakennuksessa ja oltava kytkettynä suojamaadoitusjohtimeen.

Laitteisiin kytkettyjen kaapeleiden johdineristeiden on oltava standardien IEC 60332-1-2 ja IEC 60332-1-3 tai IEC 60332-2-2 mukaisia, johtimen poikkileikkauspinta-alasta riippuen, tai IEC TS 60695-11-21, riippumatta poikkileikkauspinta-alasta. Vaihtoehtoisesti tällaisten johtimien on oltava UL 2556 VW-1:n mukaisia.

Ilmaisimen virtalähteen syötön tehon on oltava rajoitettu enintään 15 W.

Carrier Fire & Security suosittelee ilmaisimen säännöllistä testausta kävelytestillä ja hälytysten aktivoitumisen tarkastamista keskuslaitteelta.

Ilmaisimen asentaminen

1. Irroita asennuslevy (katso kuvaa 2, kohta 1).
2. Kiinnitä asennuspohja kattoon sopivaan paikkaan kiinnitysaukkojen läpi (katso kuvaa 2, kohta 2). Kiinnityskorkeus: vähintään 2,5 m ja enintään 5,0 m. Sopivat ruuvit: DIN 7996, 4 mm.
3. Tunnistusaluetta voi suunnata $\pm 15^\circ$ (enintään 30°) kääntämällä asennuspohjaa ennen ruuvien kiristämistä.
4. Kytke ilmaisim (katso kuvat 2, 3, 6).

Jos kiinnityskorkeus on annetun alueen (2,5–5,0 m) ulkopuolella, tunnistusherkkyyks heikkenee. Tunnistusalue on 12–14 metriä lyhyenmatkan asetuksella ja 20–22 metriä pitkänmatkan asetuksella asennuskorkeudesta riippuen.

Huomaa: Nuoli (kuva 2, kohta 4) ilmaisee keskimmäisen verhon suunnan, kun kytkin 4 on "OFF"-asennossa (180° kuvio).

5. Valitse haluamasi oikosulkupalan ja DIP-kytkimen asetukset (katso kuvaa 7). Lisätietoja on osiossa "Ilmaisimen asetukset".
6. Kiinnitä ilmaisimosa asennuslevyyn ruuveilla, jotka on asetettu asennuslevyyn kuljetusta varten (katso kuvaa 2, kohta 5).

Verhosuunnat 1–9 myötäpäivään on ilmaistu asennuslevyissä (katso kuvaa 2, kohta 6) (verho 5 on keskimmäinen).

Peittoalueiden valitseminen

Pääset käsittelemään peiliä avaamalla kannen ruuvit (kuva 2, kohta 7) ja avaamalla ilmaisimmoduulin (kuva 2, kohta 8). Peitä tarvittavat peilin osat mukana toimitetuilla tarroilla ja kokoa ilmaisimmoduuli uudelleen. Esimerkki: kuvassa 8 on peilin verhot 4 ja 8 on peitetty.

Ilmaisimen asetukset

Ilmaisimen oikosulkupalat on esitetty kuvassa 7.

J1: Merkkivalojen asetukset

On: Molemmat merkkivalot toimivat aina (tehdasasetus).

Off: Kumpikaan merkkivalo ei toimi koskaan.

Poistettu: Molempien merkkivalojen toimintaa ohjataan kävelytestitulolla ja järjestelmä päällä/poistulolla. Tämä aktivoi ilmaisimen hälytysmuistitoiminnon. Kun järjestelmä ei ole päällä eikä kävelytestitulo ole aktivoitu on ilmaisimen mikroaalto-osa kytkettynä pois päältä. Tässä tilassa ilmaisimien toimii kuten passiivinen IR-ilmaisimien.

J2: Kaksoisvastussilmukan asetukset

Tässä valitaan hälytys- ja kansikoskettimien kytkentä. Tämä mahdollistaa ilmaisimen kytkennän mihin tahansa keskuslaitteeseen (katso kuvat 5 ja 6).

SW 1. Ohjauksen napaisuusasetus

On: Aktiivinen ylhäällä, standardi Carrier Fire & Security logiikka, aktivoi kävelytestivalon (WT), Päivä/Yö ohjauksen (D/N), ja testin ohjauksen kun kytketään plussaan (Oletusarvo).

Off: Aktiivinen alhaalla, aktivoi kävelytestivalon (WT), Päivä/Yö ohjauksen (D/N), ja testin ohjauksen kun kytketään miinukseen.

SW 2. Ei käytössä

SW 3. Valvonta-alue

Mikroaaltokäytössä alueeksi voi valita $12 \pm 0,5$ m – $20 \pm 0,5$ m.

Huomaa: Vain mikroaaltoaluetta voi pienentää. IR-osan kantamaa ei voi pienentää.

SW 4. Valvontakuviot

Tunnistuksen valvontakuvioksi voidaan valita 360 astetta normaalikäytössä ja 180 astetta erikoistilanteissa.

Huomaa: Vain IR:n valvontakuviot voi valita.

SW 5 (vain AM-ilmaisimia): Vikalähtö

Huom: Kytkimen 5 asetuksella on vaikutusta vain kun J1 (merkkivalon asetus) on poistettu.

On: Vain päivätilassa. AM-/TF-lähtö toimii vain silloin, kun järjestelmä on päivätilassa. EN 50131-2-4 -yhteensopiva (tehdasasetus).

Off: Päivä-/yötila. AM-/TF-lähtö toimii aina.

SW 6 (vain AM-ilmaisimia): AM-herkkyys

On: Suuri AM-tunnistus herkkyys (EN 50131).

Off: Vakio AM-tunnistus herkkyys (oletus).

Suosittelava minimi asennuskorkeus suurella AM-herkkyydellä on 3 m.

SW 7 (vain AM-ilmaisimia): AM-/TF-lähdön kuittaus

Huom: Kytkimen 7 asetuksella on vaikutusta vain kun J1 (merkkivalon asetus) on poistettu.

Järjestelmä kuittaa AM-hälytyksen vain, jos se on varma siitä, että AM-hälytyksen aiheuttaja on poistettu. Jos AM-signaalit eivät voi palata takaisin alkuperäisille viitetasoille, ilmaisimien edelleen peitettyinä tai se on saattanut vioittua. Käyttäjän pitää tarkistaa silmämääräisesti, että ilmaisimien toimii edelleen täysin.

On: Kävelytestin jälkeen. 40 sekunnin viiveen jälkeen AntiMasking hälytys kuittautuu kun ilmaisimien on tunnistanut liikettä.

Off: Valtuutettu kuittaus. Kuittaa AM- tai TF-tilan kaksoishälytyksen jälkeen, kun järjestelmä on päivä- ja kävelytestitulossa. Keltainen merkkivalo sammuu ja järjestelmä palautetaan lähtöasetuksiin (tehdasasetus).

SW 8 (vain AM-ilmaisimia): AM- tai TF-lähdön toiminta

On: AM + hälytysrele. AM-hälytys aktivoi sekä AM- että hälytysreleen. TF-hälytys vain AM-releen (EN 50131).

Off: Vain AM-rele. AM- ja TF-hälytykset aktivoivat vain AM-releen (tehdasasetus).

Etä-/itsetesti (vain AM-ilmaisimia)

Etätesti: Tällä testillä DD66XAM-ilmaisinta voi testata keskukselta käsin. Etätestin ohjaus aktivoidaan liittimestä 12. DD66XAM aktivoi hälytysreleen, jos testitulokse on positiivinen, ja AM-releen, jos testitulokse on negatiivinen.

Itsetesti: DD66XAM tarkastaa IR- ja mikroaaltopiirit 6 tunnin välein. Vika raportoidaan teknisenä vikana. Onnistuneen (kaksois)liikkeen tunnistushälytyksen jälkeen itsetestiväliliikkeen pidennetään 6 tunnilla.

Ilmaisimen automaatti kalibrointi

DD66X-sarjan ilmaisimien vaatii automaatti kalibroinnin virran kytkennän jälkeen.

On suositeltavaa odottaa virran kytkennän jälkeen 5 minuuttia, ennen kävelytestin suorittamista. Näin toimittuna ilmaisimella on tarpeellinen aika suorittaa automaatti kalibrointi prosessi loppuun.

On myös suositeltavaa varmistaa ettei ilmaisimien tunnistusalueella ole liikkuvia kohteita kalibrointi prosessin aikana.

Ilmaisimen testaus kävelytestillä

DD66X-sarjassa on kävelytestitila, jolla ilmaisimien toiminnan ja peittoalueen voi testata, jos ilmaisimien merkkivalot on poistettu käytöstä. Voit tehdä kävelytestin ilmaisimelle katkaisemalla syöttöjännitteen ja kytkemällä sen takaisin. Kävelytestitila käynnistyy, kun käynnistysjakso on päättynyt (merkkivalo vilkkuu 45 – 60 sekuntia). Laite pysyy kävelytestitulossa 30 minuuttia. Ilmaisimien palaa normaaliin toimintamuotoon kun kävelytestitulosta poistutaan.

Kävelytestin aikana asentajan tulisi kulkea verhon poikki laukaistakseen liiketunnistus hälytyksen ilmaisimelle. Helppo tapa testata ilmaisimien tapahtuu kulkemalla halutun keilan poikki ja tämän jälkeen liikkua ilmaisinta kohden. Ilmaisimien tulee aiheuttaa kaksoishälytys tässä testitavassa. Katso kuvat 4 ja 5.

Seuraavaksi asentajan tulee odottaa 40 sekuntia ennen kävelytestin toistamista seuraavalla verhoalueella. **Huomioi:** Ympäristöt joissa on korkeampi mikroaalto liikennöinti tulee ilmaisimien tutkapiiriin antaa tasaantua rauhassa.

VIHREÄ-tila (vain AM-ilmaisimia)

Ilmaisimien voidaan ohjelmoida monin tavoin minimoimaan ihmisiin ja eläimiin kohdistuva mikroaaltosäteily. Ilmaisimien lähettämä mikroaaltosäteily on hyvin pienitehoista.

Ilmaisimien kytkee mikroaalto-osan pois käytöstä kolmeksi minuutiksi kaksoishälytyksen jälkeen. Tämän ajan ilmaisimien toimii pelkkänä IR-ilmaisimena.

Asetusvaihtoehto 1	J1: Off	
Asetusvaihtoehto 2	J1: Poistettu	Järjestelmä päällä

Mikroaalto-osa on kytketty pois ja DD66XAM toimii AM-tilassa. Ilmaisimien toimii pelkkänä IR-ilmaisimena.

Merkkivalot

DD66X Kaksois	Punainen [1]	Keltainen [1]	Hälytysrele	Kuittaus
Käynnistys			Kiinni	Automaattisesti 45 s jälkeen
Alijännite			Avoin (hälytys)	Tarkista jännite
Kaksoishälytys			Avoin (hälytys)	Automaattisesti 3 s jälkeen
Lukkiutuva IR (muisti)				Vaihto yötilaan

DD66XAM Kaksois / AM	Punainen [1]	Keltainen merkkivalo	Hälytysrele	AM-rele	Kuittaus
Käynnistys			Kiinni	Kiinni	Automaattisesti 60 s jälkeen
Jännitevika			Avoin (hälytys)	Avoin (hälytys)	Tarkista jännite
Kaksoishälytys			Avoin (hälytys)		Automaattisesti 3 s jälkeen
Lukkiutuva IR (muisti)					Vaihto yötilaan
AM-hälytys			Avoin (hälytys) [2]	Avoin (hälytys)	Katso DIP-kytkin 7
Tekninen vika				Avoin (hälytys)	Kävelytestin läpäisy

Palaa jatkuvasti Vilkkuu normaalisti (1 Hz)

[1] Kolmivärinen merkkivalo.

[2] Määräytyy DIP-kytkimen SW8 asetuksen perusteella.

Tekniset tiedot

	DD669	DD666-D	DD669AM	DD666AM-D
Ilmainen	Kaksois		Kaksois + AM	
Alueen halkaisija (valittavissa)	20 ±0,5 m tai 12 ±0,5 m			
Katselukuvio (valittavissa)	360 astetta tai 180 astetta			
Optinen	2 x 9 verhoa			
Mikroaaltotaajuus	5725–5875 MHz			
Enimmäis lähtöteho	3,89 W			
Mikroaaltosäteily maksimi 1 m päässä	0,003 µW/cm ²			
Muisti	Kyllä			
Käyttäjännite	9 VDC — 15 VDC (nimellinen 12 V)			
Maksimi aaltoisuus	2 V (12 VDC:llä)			
Ilmaisimen käynnistymisaika	45 s		60 s	

	DD669	DD666-D	DD669AM	DD666AM-D
Normaali virrankulutus	12 mA		19 mA	
Virrankulutus hälytyksessä	10 mA		20 mA	
Enimmäisvirrankulutus	15 mA		25 mA	
Kiinnityskorkeus	väh. 2,5 m, enint. 5,0 m			
Kohteen nopeus	väh. 0,3 m/s, enint. 3,0 m/s	väh. 0,2 m/s, enint. 3,0 m/s	väh. 0,2 m/s, enint. 3,0 m/s	väh. 0,2 m/s, enint. 3,0 m/s
Hälytys (NC)- / kansireleen ominaisuudet	80 mA 30 VDC A-malli	80 mA 30 VDC C-malli	80 mA 30 VDC A-malli	80 mA 30 VDC C-malli
Pohjaskosketin	Lisävaruste		Sisäänrakennettu	
AM-releen ominaisuudet	—		80 mA enint. 30 VDC:llä	
Hälytysaika	3 s			
Käyttölämpötila	-10 — +55 °C			
Mitat (Ø x K)	Ø 138 x 92 mm			
Suhteellinen ilmankosteus	Enint. 95 %			
Paino	255 g			
IP-/IK-luokitus	IP30 IK04 (Vain sisäkäyttöön)			

Sertifiointi ja määräysten nuodattaminen

Valmistaja

MARKKINOIJA:

Carrier Fire & Security Americas Corporation Inc.
13995 Pasteur Blvd
Palm Beach Gardens, FL 33418, USA
VALTUUTETTU EDUSTAJA EU-ALUEELLA:
Carrier Fire & Security BV
Kelvinstraat 7, 6003 DH Weert, Alankomaat

Tuotevaroitukset ja vastuuvapauslausekkeet

NÄMÄ TUOTTEET ON TARKOITETTU MYYTÄVIKSI VALTUUTETUILE AMMATTIHENKILÖILLE JA VALTUUTETTUIEN AMMATTIHENKILÖIDEN ASENNETTAVIKSI. CARRIER FIRE & SECURITY EI VOI ANTAA MITÄÄN TAKUUTA SIITÄ, ETTÄ JOKU SEN TUOTTEITA OSTAVA HENKILÖ TAI TAHO, MUKAAN LUKIEN JOKIN "VALTUUTETTU KAUPPIAS" TAI "VALTUUTETTU JÄLLEENMYYJÄ", ON SAANUT RIITTÄVÄN KOULUTUKSEN TAI ON RIITTÄVÄN KOKENUT, JOTTA KYSEINEN HENKILÖ TAI TAHO OSAA ASENTAA OIKEIN PALOTURVALLISUUS- JA TURVALLISUUSTUOTTEITA.

Lisätietoja takuun vastuuvapauslausekkeista ja tuoteturvallisuustiedoista saa sivustosta <https://firesecurityproducts.com/policy/product-warning/> tai skannaamalla QR-koodin.

Sertifiointi

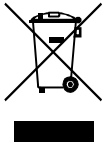


Carrier Fire & Security ilmoittaa laitteiston olevan yhteensopiva sovelluksen kanssa. Sovellus täyttää asetetut säännöt/säännökset mukaan lukien direktiivin 2014/53/EU, mutta ei kuitenkaan rajoittavasti. Lisätietoja saat alla olevista osoitteista.

www.firesecurityproducts.com

REACH Tuote saattaa sisältää aineita, jotka ovat myös listattuna aineena jonka painoprosentti voi olla suurempi kuin 0,1 ECHA: n verkkosivustolta viimeksi julkaistun Candidate List -luettelon mukaan.

Turvallista käyttöä koskevaa lisätietoa löydät osoitteesta:
<https://firesecurityproducts.com/en/content/intrusi-on-intro>



2012/19/EU (WEEE): Tällä symbolilla merkityjä tuotteita ei saa hävittää Euroopan Unionin alueella talousjätteen mukana kaupungin jätehuoltoasemille. Oikean kierrätystavan varmistamiseksi palauta tuote paikalliselle jälleenmyyjälle tai palauta se elektroniikkajätteen keräyspisteeseen. Lisätietoja sivuilla recyclethis.info

Yhteystiedot

www.firesecurityproducts.com tai www.aritech.com

FR: Manuel d'installation

Introduction

La famille DD66X/AM est composée de détecteurs de mouvements double technologies/double technologies-AM (anti-masque). Elle fait appel à la technologie brevetée RCR (Range Controlled Radar).

Instructions d'installation

Le détecteur peut être monté au plafond. Suivez les consignes ci-dessous pour déterminer le meilleur endroit pour installer le détecteur :

- Installez le détecteur de sorte que tout mouvement se trouve dans le champ de couverture (figures 4 et 5).
- Placez le détecteur sur une surface stable, à une hauteur comprise entre 2,5 et 5 mètres.
- Ne placez pas le détecteur dans un rayon de 0,5 m d'objets métalliques ou de 1,5 m d'éclairages fluorescents.
- Ne placez pas devant le détecteur des objets pouvant entraver la visibilité directe (figure 1).
- Espacez les détecteurs d'au moins 6 m et utilisez le réglage de courte portée pour éviter toute interférence.

Le traitement double technologies de ce détecteur est très résistant aux risques de fausses alarmes. Néanmoins, il est conseillé d'éviter les causes potentielles de fausses alarmes, telles que :

Risques liés à l'IRP (figure 1)

- exposition du détecteur à la lumière directe du soleil
- sources de chaleur dans le champ de vision
- courants d'air puissants sur le détecteur
- présence de animaux dans le champ de vision
- obstruction du champ de vision du détecteur par des objets volumineux, comme des meubles

Risques liés aux hyperfréquences

- surface de montage sujette aux vibrations
- surfaces métalliques reflétant l'énergie des hyperfréquences

- mouvement de l'eau à travers les tuyaux de plastique
- objets en mouvement ou vibrant, comme les ventilateurs, les conduits thermiques ou de climatisation



AVERTISSEMENT ! L'équipement n'est pas mis à la terre. Tout circuit externe raccordé à l'équipement doit être situé dans le même bâtiment et relié à un conducteur de terre de protection.

L'isolation des câbles raccordés à l'équipement doit être conforme aux normes IEC 60332-1-2 et IEC 60332-1-3 ou IEC 60332-2-2, selon la section du câble, ou IEC TS 60695-11-21, indépendamment de la section. Ces fils doivent être également conformes à la norme UL 2556 VW-1.

La source d'alimentation du détecteur doit être limitée à 15 W.

Carrier Fire & Security recommande de tester régulièrement le détecteur et de vérifier la centrale.

Installation du détecteur

1. Relevez la plaque de montage (voir figure 2, objet 1).
2. Fixez la plaque de montage au plafond dans la position requise, à l'aide des orifices de montage (voir figure 2, objet 2). Hauteur de montage spécifiée : min. 2,5 m - max. 5 m. Vis spécifiées: DIN 7996, 4 mm.
3. Le schéma de détection peut être ajusté de $\pm 15^\circ$ (max 30°) par rotation de la plaque de montage avant de serrer les vis.
4. Câblez le détecteur (voir figures 2, 3, 6).

Le montage à une hauteur au-delà des 2,5 à 5 m spécifiés risque d'entraîner une réduction de la sensibilité.

La portée de détection varie entre 12 et 14 mètres à courte portée et entre 20 et 22 mètres à longue portée, selon la hauteur de montage.

Note : La flèche (figure 2, objet 4) indique la direction du rideau central, ainsi que la direction active lorsque le commutateur 4 est en position "OFF".

5. Sélectionnez le cavalier requis et la configuration des commutateurs DIP (voir figure 7). Pour plus d'informations, consultez la section "Réglage du détecteur".
6. Pour fixer le module du détecteur sur la plaque de montage, utilisez les vis placées pour le transport sur la plaque de montage (voir figure 2, objet 5).

Les directions du rideau, 1 à 9 dans le sens horaire, sont indiquées sur la plaque de montage (voir figure 8) (Le rideau numéro 5 correspond au rideau central.)

Sélection de la couverture

Pour accéder au miroir, desserrez les vis (figure 2, objet 7) et ouvrez le module du détecteur (figure 2, objet 8). Masquez le miroir à rideau approprié avec les étiquettes adhésives fournies et remontez le module du détecteur. Exemple : reportez-vous à la figure 8 pour connaître la couverture du miroir à rideau correspondant aux rideaux 4 et 8 masqués.

Réglage du détecteur

Reportez-vous à la figure 7 pour connaître l'emplacement des cavaliers sur le détecteur.

J1: LEDs

On : Active les LEDs (par défaut).

Off : Désactive les LEDs.

Retiré : Les LEDs sont sous le contrôle de l'entrée Test de marche et Jour/Nuit. La fonction mémoire du détecteur est activée. Quand le détecteur est en mode Désarmé et l'entrée Test de marche désactivée, la composante micro-onde du DD66X est désactivée et n'est plus gérée dans la détection anti-masque du DD66XAM. Dans cette configuration le détecteur fonctionne comme in infrarouge.

J2: Double résistance

Equilibre le relais d'alarme et d'autoprotection et permet de connecter le détecteur sur n'importe quelle centrale (voir figures 5 et 6).

SW 1: Paramètre de polarité de tension de contrôle (TC)

On : Actif haut. Définit une logique Carrier Fire & Security standard "Actif haut" d'activation des entrées Test de marche (WT), Jour/Nuit (D/N) et Test à distance (configuration par défaut).

Off : Actif bas. Définit une logique "Actif bas" d'activation des entrées Test de marche (WT), Jour/Nuit (D/N) et Test à distance.

SW 2: Non utilisé

SW 3: Portée du détecteur

Les hyperfréquences peuvent être sélectionnées entre 20 ±0,5 m et 12 ±0,5 m.

Note : Seule la plage d'hyperfréquences sera réduite, pas la section IRP.

SW 4: Couverture de détection

La couverture de détection peut être sélectionnée entre 360 degrés pour une application normale et 180 degrés pour les applications spéciales.

Note : Seule la couverture de l'IRP sera ajustée.

SW 5 (détecteurs AM uniquement): Quand signaler les sorties AM (anti-masque) ou PT (problème technique)

Note : Le commutateur 5 n'a d'effet que si le cavalier J1 (LED) est retiré.

On : Mode jour uniquement. Signale les alarmes AM ou PT uniquement quand le système est en mode jour. Conforme à la norme EN 50131-2-4 (sortie d'usine).

Off : Mode jour/nuit. Signale toujours les alarmes AM ou PT en mode jour et nuit.

SW 6 (détecteurs AM uniquement): Sensibilité anti-masque

On : Haut. Définit un niveau élevé de sensibilité AM (EN 50131).

Off : Standard. Définit un niveau standard de sensibilité AM (configuration par défaut).

La hauteur de montage minimum pour la sensibilité AM élevée est de 3 m.

SW 7 (détecteurs AM uniquement): Réinitialisation des sorties AM/PT

Note : Le commutateur 7 n'a d'effet que si le cavalier J1 (LED) est retiré.

Le système réinitialise une alarme AM une fois qu'il s'est assuré que la cause de l'alarme AM a été supprimée. Si le circuit AM ne peut pas revenir à ses niveaux de référence d'origine, soit le détecteur est toujours masqué, soit il a été endommagé. Il faut alors vérifier physiquement si le détecteur est toujours fonctionnel.

On : Après le test de marche. Après une période d'inhibition de 40 secondes, réinitialise l'état AM ou TF après une double détection de mouvement.

Off : Réinitialisation autorisée. Réinitialise l'état AM ou PT suite au déclenchement d'une alarme par mouvement (double), lorsque le système est en mode jour et test de marche. Le voyant jaune s'éteint et le système est réinitialisé (sortie d'usine).

SW 8 (détecteurs AM uniquement): Signalement des sorties AM ou PT

On : Relais AM + relais d'alarme. Signale les sorties AM à la fois sur les relais AM et d'alarme. Signale les sorties PT sur le relais AM uniquement (EN 50131).

Off : Relais AM uniquement. Signale les sorties AM et PT sur le relais AM (sortie d'usine).

Auto-test / Test à distance (détecteurs AM uniquement)

Test à distance : ce test vous permet de tester le modèle DD66XAM depuis la centrale. Activez le test à distance à partir de la borne 12. Le modèle DD66XAM active le relais d'alarme si le résultat du test est positif et le relais AM si le résultat du test est négatif.

Auto-test : le modèle DD66XAM surveille les circuits IRP et d'hyperfréquences toutes les 6 heures. Une défaillance est reportée de la même manière qu'un problème technique. Après une alarme par mouvement (double), l'intervalle de temps entre chaque auto-test augmente de 6 heures.

Auto étalonnage du détecteur

Le détecteur série DD66X nécessite un auto-étalonnage après l'application de la tension d'alimentation

Il est recommandé d'attendre 5 minutes avant de commencer le test de marche pour que le détecteur termine sa procédure d'étalonnage.

Il est également fortement recommandé de s'assurer qu'il n'y a pas d'objets en mouvement à portée du détecteur pendant la durée de l'étalonnage.

Test de marche du détecteur

La gamme DD66X propose un mode de test de marche permettant de tester le fonctionnement du détecteur et la couverture si les voyants du détecteur sont désactivés. Pour tester le détecteur, coupez l'alimentation et rétablissez-la. Le mode de test ne peut débuter qu'une fois que la séquence de démarrage est complètement terminée (le voyant clignote pendant 45 ou 60 secondes). Le détecteur reste en mode de test pendant 30 minutes. Le détecteur retourne en mode normal à l'expiration du test de marche.

Pendant le test de marche, l'installateur doit traverser un rideau pour déclencher l'infrarouge et changer la distance du détecteur pour déclencher le radar. La méthode la plus simple est de traverser un rideau sélectionné, puis de se déplacer

vers le détecteur pour activer une double alarme. Voir les figures 4 et 5 pour le motif du rideau au sol.

Ensuite, l'installateur doit attendre 40 secondes avant de répéter le test de marche sur le rideau consécutif.

Remarque : Un environnement avec un niveau de micro-ondes élevé peut nécessiter un temps de repos plus long pour que les circuits radar se stabilisent.

Mode VERT (détecteurs AM uniquement)

Le détecteur peut être paramétré pour minimiser l'exposition des humains et animaux aux micro-ondes, bien que la puissance des micro-ondes soit très faible.

Après une alarme le détecteur désactive pendant 3 minutes la composante micro-onde. Le détecteur n'utilise que l'infrarouge pendant cette temporisation.

Option 1 J1 : Off
Option 2 J1 : Retiré Système Armé

La section micro-onde est désactivée et basculée en AM pour le DD66XAM. Le détecteur n'utilise que l'infrarouge.

Setting J1 : Retiré Système Désarmé
Test de marche désactivé

Indication du voyant

DD66X Double	Rouge [1]	Jaune [1]	Relais d'alarme	Réinitialisation
Démarrage			Fermé	Automatique après 45 secondes
Tension basse			Ouvert (alarme)	Utiliser une tension correcte
Alarme intrusion par mouvement (double)			Ouvert (alarme)	Automatique après 3 secondes
IRP verrouillée (mémoire)				Passer en mode nuit

DD66XAM Double / AM	Rouge [1]	Voyant jaune	Relais d'alarme	Relais AM	Réinitialisation
Démarrage			Fermé	Fermé	Automatique après 60 secondes
Tension basse			Ouvert (alarme)	Ouvert (alarme)	Utiliser une tension correcte
Alarme intrusion par mouvement (double)			Ouvert (alarme)		Automatique après 3 secondes
IRP verrouillée (mémoire)					Passer en mode nuit
Alarme AM			Ouvert (alarme) [2]	Ouvert (alarme)	Voir commutateur DIP 7
Problème technique				Ouvert (alarme)	Test de marche réussi

Allumage continu Clignotement normal (1 Hz)

- [1] Voyant tricolore.
[2] Dépend du réglage du commutateur DIP SW8.

Spécifications techniques

	DD669	DD666-D	DD669AM	DD666AM-D
Détecteur	Double		Double + AM	
Diamètre de la portée (sélectionnable)	20 ±0,5 m ou 12 ±0,5 m			
Angle de visualisation (sélectionnable)	360 degrés ou 180 degrés			
Optique	Rideau 2 x 9			
Fréquence de l'hyperfréquence	5725–5875 MHz			
Sortie de puissance maximum	3,89 W			
Puissance hyperfréquence max. à 1 m	0,003 µW/cm ²			
Mémoire	Oui			
Alimentation	9 V cc à 15 V cc (12 V nominal)			
Ondulation crête à crête	2 V (à 12 V cc)			
Temps de démarrage du détecteur	45 s		60 s	
Consommation normale	12 mA		19 mA	
Consommation en alarme	10 mA		20 mA	
Consommation maximale	15 mA		25 mA	
Hauteur de montage	min. 2,5 m – max. 5 m			
Vitesse cible	min 0,3, max 3,0 m/s	min 0,2, max 3,0 m/s	min 0,2, max 3,0 m/s	min 0,2, max 3,0 m/s
Caractéristique du relais d'alarme (NF) / du relais d'auto-protection	80 mA 30 V cc Forme A	80 mA 30 V cc Forme C	80 mA 30 V cc Forme A	80 mA 30 V cc Forme C
Protection contre l'arrachement	Facultatif		Intégré (oui)	
Caractéristique du relais AM	—		80 mA à 30 V cc max.	
Durée d'alarme	3 s			
Température de fonctionnement	-10 à +55°C			
Dimensions (Ø x H)	Ø 138 x 92 mm			
Humidité relative	95 % max.			
Poids	255 g			
Indice IP/IK	IP30 IK04 (usage en intérieur uniquement)			


Information réglementaire

Fabriquant
MISE SUR LE MARCHÉ PAR :
Carrier Fire & Security Americas Corporation Inc.
13995 Pasteur Blvd
Palm Beach Gardens, FL 33418, USA
REPRÉSENTANT DE L'UNION EUROPÉENNE
AUTORISÉ :
Carrier Fire & Security B.V.
Kelvinstraat 7, 6003 DH Weert, Pays-Bas

Avertissements et avis de non-responsabilité
CES PRODUITS SONT DESTINÉS À DES PROFESSIONNELS EXPÉRIMENTÉS, QUI DOIVENT ÉGALEMENT SE CHARGER DE LEUR INSTALLATION. CARRIER FIRE & SECURITY NE PEUT GARANTIR QU'UNE PERSONNE OU ENTITÉ FAISANT L'ACQUISITION DE CEUX-CI, Y COMPRIS UN REVENDEUR AGRÉÉ, DISPOSE DE LA FORMATION OU DE L'EXPÉRIENCE REQUISE POUR PROCÉDER À CETTE MÊME INSTALLATION DE FAÇON APPROPRIÉE.



Pour obtenir des informations supplémentaires sur les garanties et la sécurité, rendez-vous à l'adresse
<https://firesecurityproducts.com/policy/product-warning/> ou scannez le code QR.

Certification


Directives européennes
Carrier Fire & Security déclare par la présente que cet appareil est conforme aux exigences applicables et aux dispositions de toutes les règles et règlements applicables, y compris, mais sans s'y limiter, de la Directive 2014/53/EU. Pour plus d'informations, voir www.firesecurityproducts.com.

REACH
Ce produit peut contenir des substances figurant également sur la Liste de substances candidates à une concentration supérieure à 0,1 % p/p, selon la Liste de substances candidates la plus récente publiée sur le site web de l'Agence européenne des produits chimiques (ECHA).

Vous trouverez des renseignements sur l'utilisation sécuritaire du produit à l'adresse <https://firesecurityproducts.com/en/content/intrusi-on-intro>



2012/19/EU (WEEE): Les produits marqués de ce symbole peuvent pas être éliminés comme déchets municipaux non triés dans l'Union européenne. Pour le recyclage, retourner ce produit à votre fournisseur au moment de l'achat d'un nouvel équipement équivalent, ou à des points de collecte désignés. Pour plus d'informations, voir: recyclethis.info

Pour nous contacter

www.firesecurityproducts.com ou www.aritech.com

IT: Istruzioni per l'installazione

Introduzione

La famiglia DD66X/AM comprende sensori Dual (doppia tecnologia) e Dual-AM (doppia tecnologia/antimascheramento), dotati della tecnologia brevettata Range Controlled Radar.

Linee guida per l'installazione

Il rivelatore può essere installato a soffitto. Per determinare la migliore posizione di installazione del rivelatore, attenersi alle seguenti linee guida:

- Installare il rivelatore in modo tale che il movimento previsto di un eventuale intruso attraversi il campo di rivelazione (Figura 4 e 5).
- Installare il rivelatore su una superficie stabile ad un'altezza compresa tra 2,5 e 5 m.
- Non installare il rivelatore a una distanza inferiore a 0,5 m da oggetti metallici o 1,5 m da luci fluorescenti.
- Non collocare davanti al rivelatore oggetti che possano ostacolare una chiara linea di visuale (Figura 1).
- Installare i rivelatori a una distanza minima di 6 m e utilizzare l'impostazione a corto raggio per evitare interferenze.

L'elaborazione a doppia tecnologia di questo rivelatore è molto resistente ai rischi di falsi allarmi. È tuttavia opportuno evitare possibili cause di falsi allarmi, quali:

Rischi PIR (Figura 1)

- Esposizione del rivelatore alla luce solare diretta
- Fonti di calore all'interno del campo visivo
- Forti correnti d'aria sul rivelatore
- Animali all'interno del campo di copertura (cani, gatti)
- Oscuramento del campo visivo del rivelatore con oggetti di grandi dimensioni (es. mobilio)

Rischi microonde

- Superficie di montaggio soggetta a vibrazioni
- Superfici metalliche che riflettono le microonde
- Movimento di acqua attraverso tubature in plastica
- Oggetti in movimento o soggetti a vibrazioni, come ventilatori e condutture del riscaldamento o dell'aria condizionata



AVVERTIMENTO! L'apparecchiatura non è collegata a terra. Qualsiasi circuito esterno collegato all'apparecchiatura deve essere situato nello stesso edificio e collegato a un conduttore di terra di protezione.

L'isolamento del cavo dei cavi collegati all'apparecchiatura deve essere conforme a IEC 60332-1-2 e IEC 60332-1-3 o IEC 60332-2-2, a seconda della sezione del cavo, o IEC TS 60695-11-21, indipendentemente di area della sezione trasversale. In alternativa, tali cavi devono essere conformi alla norma UL 2556 VW-1.

La fonte di alimentazione del rivelatore deve essere limitata a 15 W.

Carrier Fire & Security raccomanda di eseguire regolarmente il test di copertura del rivelatore e i relativi controlli sulla centrale.

Installazione del rivelatore

1. Sollevare la piastra di montaggio distaccandola (vedere Figura 2, oggetto 1).
2. Utilizzando gli appositi fori, fissare la piastra di montaggio al soffitto nella posizione richiesta (vedere Figura 2, oggetto 2). Altezza di montaggio specificata: min 2,5 m — max 5,0 m. Viti indicate: DIN 7996, 4 mm.

3. È possibile regolare il campo di rivelazione di un massimo di $\pm 15^\circ$ (max 30°) mediante la rotazione della piastra di montaggio prima di stringere le viti.

4. Collegare il rivelatore (vedere Figura 2, 3, 6).

L'aumento dell'altezza di montaggio oltre l'intervallo specificato (da 2,5 a 5 m) comporterà una riduzione della sensibilità. Il raggio d'azione varia da 12 a 14 metri per il corto raggio e da 20 a 22 metri per il lungo raggio, in base all'altezza di montaggio.

Nota: La freccia (Figura 2, oggetto 4) indica la direzione della tenda centrale e la direzione attiva quando il commutatore 4 è su "OFF".

5. Selezionare le impostazioni desiderate per i ponticelli e i commutatori DIP switch (vedere Figura 7). Fare riferimento alla sezione "Impostazione del rivelatore" per ulteriori informazioni.

6. Per fissare il modulo del sensore sulla base di montaggio, utilizzare le viti allocate nella base (vedere Figura 2, oggetto 5).

Le direzioni delle tende 1—9 in senso orario sono riportate sulla piastra di montaggio (vedere Figura 2, oggetto 6) (la tenda n. 5 è quella centrale).

Selezione dei campi di copertura

Per l'accesso allo specchio, rimuovere le viti (Figura 2, oggetto 7) e aprire il modulo del sensore (Figura 2, oggetto 8). Mascherare le barriere protettive a specchio appropriate utilizzando le apposite etichette adesive fornite e riassemble il modulo del sensore. Esempio: la Figura 7 mostra i campi di copertura per mascherare le tende 4 e 8.

Dispositivo antirimozione

DD669

Su questo modello il dispositivo antirimozione è opzionale. Inserire il dispositivo ST400 quando viene richiesta la protezione antirimozione (per la conformità alle norme CEI 79.2 – 2° Livello è obbligatorio l'utilizzo del kit antirimozione ST400). Vedi la figura 2, oggetto 9, per individuare il punto di fissaggio del dispositivo ST400.

DD669AM

Su questo modello il dispositivo antirimozione è integrato nel circuito stampato del rivelatore. Per utilizzare il sistema antirimozione si deve fissare il rivelatore al soffitto tramite entrambi i fori di montaggio indicati in figura 2, oggetto 2.

Nota: Per la conformità alle norme CEI 79.2 – 2° Livello è obbligatorio l'utilizzo della protezione antirimozione.

Impostazione del rivelatore

La Figura 7 mostra la posizione dei ponticelli nel rivelatore.

J1: Impostazione LED

On: Abilita entrambi i LED del rivelatore (impostazione di fabbrica)

Off: Disabilita entrambi i LED del rivelatore

Rimosso: Mette entrambi i LED sotto il controllo degli ingressi di Walk Test e Day/Night. In questo modo si attiva la memoria del rivelatore. Quando il sistema è Disinserito e l'ingresso di Walk Test è disabilitato, sul DD66X la microonda è disabilitata mentre sul DD66XAM la microonda è in modalità di rilevazione

Antimascheramento. In questa configurazione il rivelatore lavora con il solo infrarosso.

J2: Impostazione doppio bilanciamento

È l'impostazione dei relè di allarme e manomissione. Permette di collegare il rivelatore a qualsiasi centrale di allarme (vedi figura 5 e 6).

SW 1: Impostazione di polarità della tensione di controllo (CV)

On: Attiva Alta. Imposta la logica standard Carrier Fire & Security con un riferimento positivo per abilitare gli ingressi Walk Test (WT), Day/Night (D/N), e Remote Test (impostazione di fabbrica).

Off: Attiva Bassa. Imposta la logica con un riferimento negativo per abilitare gli ingressi Walk Test (WT), Day/Night (D/N), e Remote Test.

SW 2: Non utilizzato

SW 3: Portata del rivelatore

È possibile selezionare la portata microonde tra $20 \pm 0,5$ m e $12 \pm 0,5$ m.

Nota: La riduzione della portata si applica solo alle microonde, non alla sezione PIR.

SW 4: Copertura di rivelazione

È possibile selezionare la copertura di rivelazione tra 360 gradi per applicazioni normali e 180 gradi per applicazioni speciali.

Nota: Verrà regolata solo la copertura del PIR.

SW 5 (solo rivelatori AM): Quando segnalare l'uscita AM (antimascheramento) o TF (guasto tecnico)

Nota: il DIP-Switch 5 ha effetto solo quando il J1 (Impostazione LED) è rimosso.

On: Solo modo giorno: segnala l'uscita AM o TF solo quando il sistema è nel modo giorno. Conforme allo standard EN 50131-2-4 (impostazione di fabbrica).

Off: Modo giorno/notte: segnala l'uscita AM o TF quando il sistema è nel modo giorno e notte.

SW 6 (solo rivelatori AM): Sensibilità AM

On: Alta. Seleziona il livello alto di sensibilità dell'antimascheramento (EN 50131).

Off: Standard: Seleziona il livello standard di sensibilità dell'antimascheramento (impostazione di fabbrica).

L'altezza di montaggio minima consigliata per poter impostare la sensibilità AM Alta è di 3 m (9 ft. 10 in.).

SW 7 (solo rivelatori AM): Reset dell'uscita AM/TF

Nota: il DIP-Switch 7 ha effetto solo quando il J1 (Impostazione LED) è rimosso.

Il sistema consente il reset di un allarme antimascheramento solo dopo aver accertato che la causa dell'allarme è stata rimossa. Se i circuiti antimascheramento non possono tornare ai livelli di riferimento iniziali, significa che il rivelatore è ancora mascherato o è possibile che sia stato danneggiato. L'utente deve accertarsi tramite ispezione visiva della corretta funzionalità del rivelatore.

On: Dopo il test di copertura: Dopo un periodo di inibizione di 40 secondi, il reset dello stato di AM o TF avviene quando viene generato un allarme a doppia tecnologia.

Off: Reset autorizzato: resetta lo stato AM o TF dopo un allarme movimento (doppia tecnologia), quando il sistema è impostato nel modo giorno e test di copertura. Il LED giallo si spegne e il sistema è resettato (impostazione di fabbrica).

SW 8 (solo rivelatori AM): Segnalazione dell'uscita AM o TF

On: Relè AM + allarme: segnala AM (mascheramento) su entrambi i relè AM e allarme e TF (guasto) solo sul relè AM (EN 50131).

Off: Solo relè AM: segnala AM e TF solo sul relè AM (impostazione di fabbrica).

Test remoto / Autotest (solo rivelatori AM)

Test remoto: questo test consente di testare il DD66XAM dalla centrale. Utilizzare il morsetto 12 per attivare il test remoto. Il DD66XAM attiva il relè allarme se il risultato del test è positivo e il relè antimascheramento se il risultato del test è negativo.

Autotest: il DD66XAM effettua il monitoraggio dei circuiti PIR e microonde ogni 6 ore. Gli eventuali difetti vengono segnalati come guasti tecnici. Dopo un allarme movimento (doppia tecnologia), l'intervallo di tempo tra ciascun autotest verrà esteso di 6 ore.

Auto calibrazione Rilevatore

La serie dei rilevatori DD66x richiede l'auto calibrazione dopo che è stata applicata la tensione di alimentazione.

Si raccomanda di attendere 5 minuti prima dell'avvio del walk test affinché il rilevatore completi la sua procedura di calibrazione.

Si raccomanda inoltre di assicurarsi che durante questo tempo di calibrazione non ci siano oggetti in movimento nel campo del rilevatore.

Esecuzione del test di copertura del rivelatore

La serie DD66X dispone di una modalità test di copertura per verificare il funzionamento dei rivelatori e il campo di copertura se il rivelatore è impostato su LED disabilitati. Per eseguire il test di copertura del rivelatore, scollegare e ricollegare la tensione di alimentazione. La modalità test di copertura può essere avviata solo al termine dell'intera sequenza di avvio (il LED lampeggia per 45 o 60 secondi). L'apparecchio rimane nella modalità test di copertura per 30 minuti. Il rivelatore ritorna alla sua normale modalità di funzionamento al termine della modalità di Walk Test.

Durante il walk test l'installatore dovrebbe attraversare una tenda per attivare il PIR, e modificare la distanza dal rilevatore per attivare il radar. Il metodo più semplice è quello di attraversare una tenda selezionata, e quindi muoversi verso il rilevatore per attivare il doppio allarme. Vedere le Figure 4 e 5 per il disegno della tenda.

Successivamente, l'installatore dovrebbe attendere 40 secondi prima di ripetere il walk test sulla consecutiva tenda del rilevatore. **Nota:** un ambiente con un alto rumore microonde può richiedere un tempo di riposo più lungo per poter far stabilizzare i circuiti radar.

Modalità ECOLOGICA (solo rivelatori AM)

Il rivelatore può essere impostato in diversi modi per minimizzare l'esposizione alle radiazioni della microonda di persone ed animali, questo nonostante il rivelatore emetta già un segnale a microonde di bassissima potenza.

Il rivelatore disabilita la sezione a microonde per 3 minuti dopo un allarme a doppia tecnologia. Durante questo periodo il rivelatore lavorerà con la sola sezione ad infrarossi.

Impostazioni Opzione 1 J1: Off
 Impostazioni Opzione 2 J1: Rimosso Sistema nella condizione di Inserito

La sezione a microonda è disabilitata e per il DD66XAM è commutata nella modalità antimascheramento. Il rivelatore opera in modalità solo PIR.

Impostazione J1: Rimosso Sistema nella condizione di Disinserito
 Walk Test del Sistema Disabilitato

Indicatori LED

DD66X	Rosso [1]	Giallo [1]	Relè di allarme	Reset
Avvio			Chiuso	Automatico dopo 45 s
Bassa tensione			Aperto (allarme)	Applicare la tensione corretta
Allarme anti-intrusione movimento (doppia tecnologia)			Aperto (allarme)	Automatico dopo 3 s
PIR memorizzato (memoria)				Commutare su modalità notte

DD66XAM	Rosso [1]	LED giallo	Relè di allarme	Relè AM	Reset
Avvio			Chiuso	Chiuso	Automatico dopo 60 s
Bassa tensione			Aperto (allarme)	Aperto (allarme)	Applicare la tensione corretta
Allarme anti-intrusione movimento (doppia tecnologia)			Aperto (allarme)		Automatico dopo 3 s
PIR memorizzato (memoria)					Commutare su modalità notte
Allarme AM			Aperto (allarme) [2]	Aperto (allarme)	Vedere DIP switch 7
Guasto tecnico				Aperto (allarme)	Superare test di copertura

Acceso fisso Lampeggiamento normale (1 Hz)

[1] LED a tre colori.

[2] Dipende dall'impostazione del commutatore DIP switch SW8.

Specifiche

	DD669	DD666-D	DD669AM	DD666AM-D
Rivelatore	Doppia tecnologia		Doppia tecnologia + AM	
Campo di rivelazione (selezionabile)	20 ±0,5 m o 12 ±0,5 m			
Angolo di visuale (selezionabile)	360 gradi o 180 gradi			
Caratteristiche ottiche	Tenda 2 x 9			
Frequenza microonda	5725–5875 MHz			
Massima potenza in uscita	3,89 W			
Max potenza uscita microonda a 1 m	0,003 µW/cm ²			
Memoria	Sì			
Alimentazione	Da 9 a 15 V _{DC} (12 V nominale)			
Ondulazione residua picco-picco	2 V (a 12 V _{DC})			
Tempo di avvio rivelatore	45 s		60 s	
Consumo di corrente (stato normale)	12 mA		19 mA	
Consumo di corrente (stato di allarme)	10 mA		20 mA	
Consumo di corrente (max)	15 mA		25 mA	
Altezza di montaggio	min 2,5 m, max 5,0 m			
Velocità di rilevamento	min 0,3 — max 3,0 m/s	min 0,2 — max 3,0 m/s	min 0,2 — max 3,0 m/s	min 0,2 — max 3,0 m/s
Allarme (NC) / Caratteristiche relè di manomissione	80 mA 30 V _{DC} Form A	80 mA 30 V _{DC} Form C	80 mA 30 V _{DC} Form A	80 mA 30 V _{DC} Form C
Protezione antirimozione e antimanomissione	Opzionale (ST400)		Integrata (sì)	
Caratteristiche relè AM	—		80 mA a 30 V _{DC} max	
Tempo di allarme	3 s			
Temperatura di funzionamento	Da -10 a +55°C Certificata da +5°C a +40°C			
Dimensioni (Ø x H)	Ø 138 x 92 mm			
Umidità relativa	Max 95%			
Peso	255 g			
Gradi di protezione IP/IK	IP30 IK04 (Solo uso interno)			

Nota: Per la conformità alle norme CEI 79.2 – 2° Livello è obbligatorio l'utilizzo della protezione antirimozione.

Certificazione e conformità

Costruttore	MESSO SUL MERCATO DA: Carrier Fire & Security Americas Corporation Inc. 13995 Pasteur Blvd Palm Beach Gardens, FL 33418, USA AUTORIZZATO RAPPRESENTANTE UE: Carrier Fire & Security B.V. Kelvinstraat 7, 6003 DH Weert, Netherlands
-------------	---

Avvertenze sul prodotto e dichiarazioni di non responsabilità



QUESTI PRODOTTI SONO DESTINATI ALLA VENDITA A, E DEVONO ESSERE MONTATI DA, UN ESPERTO QUALIFICATO. CARRIER FIRE & SECURITY NON PUÒ GARANTIRE CHE LE PERSONE O GLI ENTI CHE ACQUISTANO I SUOI PRODOTTI, COMPRESI I "RIVENDITORI AUTORIZZATI", DISPONGANO DELLA FORMAZIONE O ESPERIENZA ADEGUATE PER ESEGUIRE LA CORRETTA INSTALLAZIONE DI PRODOTTI PER LA SICUREZZA E PER LA PROTEZIONE ANTINCENDIO.

Per ulteriori informazioni sulle esclusioni di garanzia e sulla sicurezza dei prodotti, consultare il sito <https://firesecurityproducts.com/policy/product-warning/> oppure eseguire la scansione del codice QR.

Certificazione	
Direttive Unione Europea	Carrier Fire & Security dichiara che questo dispositivo è conforme ai requisiti applicabili e alle disposizioni di tutte le norme e regolamenti applicabili, inclusi ma non limitati alla direttiva 2014/53/EU. Per ulteriori informazioni, vedere www.firesecurityproducts.com

IMQ	Certificazione IMQ Sistemi di Sicurezza I° e II° Livello: DD669, DD669AM: Sì DD669-D, DD669AM-D: No
-----	---

REACH	Il prodotto può contenere sostanze che sono anche sostanze appartenenti all'elenco di candidati per una concentrazione superiore allo 0,1% p / p, l'elenco dei candidati pubblicato più di recente è disponibile sul sito Web dell'ECHA. Informazioni sull'uso sicuro sono disponibili all'indirizzo https://firesecurityproducts.com/en/content/intrusi-on-intro
-------	--



2012/19/EU (WEEE): I prodotti contrassegnati con questo simbolo, non possono essere smaltiti nei comuni contenitori per lo smaltimento rifiuti, nell'Unione Europea. Per il loro corretto smaltimento, potete restituirli al vostro fornitore locale a seguito dell'acquisto di un prodotto nuovo equivalente, oppure rivolgervi e consegnarli presso i centri di raccolta preposti. Per maggiori informazioni vedere: recyclethis.info

Informazioni di contatto

www.firesecurityproducts.com o www.aritech.com

Inleiding

De DD66X/AM-reeks bestaat uit Dual/Dual-AM bewegingsdetectoren. Ze bevatten de gepatenteerde Range Controlled Radar-technologie.

Richtlijnen voor de installatie

De detector kan op een plafond worden gemonteerd. Volg de volgende richtlijnen voor het bepalen van de beste locatie voor installatie van de detector:

- Installeer de detector zodanig dat de verwachte bewegingsrichting van een indringer dwars over het detectiepatroon verloopt (figuur 4 en 5).
- Bevestig de detector op een stabiel oppervlak op een hoogte tussen 2,5 m en 5,0 m.
- Plaats de detector niet binnen 0,5 m van metalen voorwerpen of binnen 1,5 m van TL-verlichting.
- Plaats geen voorwerpen voor de detector die het zicht kunnen verhinderen (figuur 1).
- Plaats detectoren op ten minste 6 m van elkaar en gebruik de korte-bereikinstelling (schakelaar 3 uit) om storing te voorkomen.

De dual-technologie van deze detector voorkomt het risico van loze alarmen. Vermijd niettemin alle mogelijke oorzaken van valse alarmen, zoals:

PIR-gevaren (figuur 1)

- Rechtstreeks zonlicht op de detector
- Hittebronnen in het detectieveld
- Veel tocht bij de detector
- Dieren in het detectieveld
- Het kijkveld van de detector afschermen met grote objecten, zoals meubels

Microgolf-gevaren

- Montageplaats is gevoelig voor trillingen
- Metalen oppervlakken die de radargolven reflecteren
- Beweging van water door plastic buizen in het detectieveld of direct achter de detector
- Bewegende of trillende voorwerpen, zoals ventilatoren, verwarmingen of airconditioners



WAARSCHUWING! De apparatuur is niet geaard. Elk extern circuit dat op de apparatuur wordt aangesloten, moet zich in hetzelfde gebouw bevinden en zijn aangesloten op een beschermde aarde aansluiting.

Draadisolatie van kabels aangesloten op de apparatuur moet voldoen aan IEC 60332-1-2 en IEC 60332-1-3 of IEC 60332-2-2, afhankelijk van de doorsnede van de ader, of IEC TS 60695-11-21, ongeacht van dwarsdoorsnede. Als alternatief moeten dergelijke kabels voldoen aan UL 2556 VW-1.

De voedingsbron van de detector moet met een vermogen van 15 W worden begrensd.

Carrier Fire & Security adviseert om regelmatig een looptest van de detector uit te voeren en het resultaat op het controlepaneel te verifiëren.

De detector installeren

1. Verwijder de bevestigingsplaat (zie figuur 2, item 1).
2. Maak gebruik van de montagegaten om de bevestigingsplaat in de juiste positie op het plafond te monteren. Gespecificeerde montagehoogte: min. 2,5 m — max. 5,0 m. Zie figuur 2, item 2. Gespecificeerde schroef: DIN 7996, 4 mm.
3. U kunt het detectiepatroon maximaal $\pm 15^\circ$ (max. 30°) aanpassen door de bevestigingsplaat rond te draaien voordat u de schroeven vastdraait.
4. Bedraad de detector (zie figuur 2, 3, 6).

De gevoeligheid neemt af wanneer de detector buiten de opgegeven montagehoogte (2,5 tot 5,0 m) geplaatst wordt. Het korte bereik kan liggen tussen 12 en 14 meter en het groot bereik kan liggen tussen 20 en 22 meter afhankelijk van de montagehoogte.

Opmerking: De pijl (figuur 2, item 4) geeft de richting van het middelste gordijn en de actieve richting aan wanneer schakelaar 4 is "UITGESCHAKELD".

5. Selecteer de gewenste instellingen voor de jumper en de DIP-schakelaars (zie figuur 7). Zie het gedeelte "De detector instellen" voor meer informatie.
6. Gebruik voor het installeren van de detectormodule op de bevestigingsplaat de schroeven die voor het transport in de bevestigingsplaat zijn geplaatst (zie figuur 2, item 5).

De gordijnvelden 1—9 worden op de bevestigingsplaat aangeduid (zie figuur 2, item 6) (Gordijn 5 is het middelste gordijn).

De detectiepatronen selecteren

Als u toegang tot de spiegel wilt, draai dan de schroeven los (figuur 2, item 7) en open de detectorbehuizing (figuur 2, item 8). Maskeer de juiste spiegelsegmenten met de meegeleverde plaklabels en monteer de detectorbehuizing opnieuw. Bijvoorbeeld: zie figuur 8 voor het spiegelsegment dat overeenkomt met gordijn 4 en 8 gemaskeerd.

De detector instellen

Zie figuur 7 voor informatie over de jumperposities in de detector.

J1: Instellen LEDs

AAN: Beide LED's op de detector blijven altijd ingeschakeld.

UIT: Beide LED's op de detector altijd uit.

Verwijderd: Beide LED's worden aangestuurd door de ingang Looptest en In/uitschakelen en activeert de geheugen functie in de detector. In de volgende situatie is de radar uitgeschakeld voor de DD66X detectors en in antimaskering modus voor de DD66XAM detectors: als het systeem uitgeschakeld is en de Looptest ingang niet actief is. In deze situatie werkt de detector als een PIR alleen.

J2 Dubbele lus

Hiermee stelt u het alarm en sabotage in als twee weerstand applicatie. Hierdoor kunt u de detector aansluiten op alle inbraak panelen (zie figuur 3 en 6).

SW 1: Polariteit van controlespanning (CV) instellen

AAN: "Actieve hoge" biedt de standaard Carrier Fire & Security-logica met "Actieve hoge"-logica om de ingangen Looptest (W/T) en Dag/nacht (D/N) en remote test in te schakelen (fabrieks instelling).

UIT: "Actieve lage" biedt "Actieve lage"-logica om de ingangen Looptest en Dag/nacht en remote test in te schakelen.

SW 2: Ongebruikt

SW 3: Detectorbereik

U kunt het radarbereik selecteren tussen $20 \pm 0,5$ m en $12 \pm 0,5$ m.

Opmerking: Alleen het radarbereik wordt verminderd, niet het PIR-gedeelte.

SW 4: Detectiedekking

U kunt een detectiebereik selecteren tussen 360 graden voor normaal gebruik en 180 graden voor speciaal gebruik.

Opmerking: Alleen het PIR-bereik wordt aangepast.

SW 5 (alleen AM-detectors): Wanneer AM (antimaskering) of TF (technische fout) melden

Opmerking: Dipswitch 5 functioneert alleen wanneer J1 (Instellen LEDs) is verwijderd.

AAN: Alleen dagmode. AM of TF alleen melden wanneer het systeem in de dagmode staat. Voldoet aan EN 50131-2-4 (fabrieksprogrammering).

UIT: Dag/Nacht-mode. Altijd antimaskering of technische storing tijdens Dag mode en Nacht mode..

SW 6 (alleen AM-detectors): AM-gevoeligheid

AAN: Een hogere AM-gevoeligheid selecteren (NEN 50131).

UIT: De standaard AM-gevoeligheid selecteren (fabrieksprogrammering).

Bij een hoge AM gevoeligheid wordt een minimale montagehoogte van 3 meter geadviseerd.

SW 7 (alleen AM-detectors): De AM/TF-uitgang resetten

Opmerking: Dipswitch 7 functioneert alleen wanneer J1 (Instellen LEDs) is verwijderd.

Het systeem zal alleen een AM-alarms resetten als is geconstateerd wat de oorzaak van het AM-alarms is. Als de AM-schakeling niet kan terugkeren naar het oorspronkelijke referentieniveau, dan is de detector nog steeds gemaskeerd of mogelijk beschadigd. De eigenaar moet vervolgens visueel controleren of de detector nog steeds volledig functioneel is.

AAN: Na looptest. Als een (dubbel) bewegings-alarms is gegenereerd, wordt de AM- of TF-status na een onderbrekingsperiode van 40 seconden gereset.

UIT: Geautoriseerd reset. De AM- of TF-status wordt opnieuw hersteld na een (dubbel) bewegingsalarms, mits ingesteld op een dag- en loopteststatus. De gele LED wordt uitgeschakeld en het systeem wordt gereset (fabrieksprogrammering).

SW 8 (alleen AM-detectors): AM- of TF-sturing

AAN: AM + alarmrelais. Antimaskeringssignaal melden op zowel het AM-relais als het alarmrelais. Technische storing alleen melden op het AM-relais (EN 50131).

UIT: Alleen AM-relais. Meldt AM en TF alleen op het AM relais (fabrieksprogrammering).

Zelftest op afstand (alleen AM-detectors)

Test op afstand: Met deze test kunt u de DD66XAM vanaf het controlepaneel testen. Gebruik aansluiting 12 om de test op afstand te activeren. De DD66XAM activeert het alarmrelais als het testresultaat positief is en activeert het AM-relais als het testresultaat negatief is.

Zelftest: De DD66XAM test de PIR- en radarschakelingen om de 6 uur. Een fout wordt gemeld als een technische storing. Na een geslaagd (dubbel) bewegingsalarms, wordt de tijdsinterval tussen elke zelftest met 6 uur verlengd.

Detector zelf kalibratie

De DD66X serie detector vereist een zelf kalibratie nadat de melder van spanning is voorzien.

Het is daarom aanbevolen om 5 minuten te wachten, alvorens een looptest te starten, zodat het kalibratie proces van de detector voltooid kan worden.

Het is ten eerste aangeraden dat er zich geen bewegende objecten in het bereik van de detector bevinden tijdens deze kalibratie tijd.

Looptest voor de detector uitvoeren

Voor de setting: LED's uitgeschakeld, beschikt de DD66X-reeks over een extra looptestmode voor het testen van de werking en het detectieveld van de detector. Om een looptest voor de detector uit te voeren, schakelt u de voeding uit en weer in. De looptestmode kan worden gestart zodra de detector is opgestart (LED knippert 45 of 60 seconden). De detector blijft gedurende 30 minuten in de looptestmode. Nadat de looptest timer is afgelopen schakelt de detector terug naar normale werking.

Tijdens de looptest zal de installateur een detectie gordijn moeten doorkruisen om de PIR te activeren, en een afstand verandering detecteren om de radar te activeren. De makkelijkste manier is om een detectie gordijn te doorkruisen, en naar de detector te lopen om een dual alarm te activeren. Zie figuur 4 en 5 voor het detectie gordijn patroon.

Vervolgens dient de installateur 40 seconden te wachten voordat de looptest op het volgende detectiegordijn kan worden herhaald. **Opmerking:** een ruimte met een hogere radar vervuiling kan een langere reset tijd vereisen om het radar gedeelte in rust te krijgen.

Groene mode (alleen AM-detectors)

Hoewel de detector in normale werking al op een erg laag niveau radar golven uitzendt, kan het op verschillende manieren geprogrammeerd worden om het uitgezonden vermogen verder te minimaliseren.

De detector schakelt de radar deel uit voor max 3 minuten na een alarm (dubbel). De detector werkt als een PIR alleen gedurende deze timer.

instelling optie 1 J1: UIT

instelling optie 2 J1: Verwijderd Systeem in ingeschakelde toestand

Voor de DD66X is het radar gedeelte uitgeschakeld en voor de DD66XAM in AM modes. De detector werkt nu als een PIR alleen.

instelling J1: Verwijderd Systeem in uitgeschakelde toestand
Systeem loop test uitgeschakeld

LED-indicatie

DD66X Dubbel	Rood [1]	Geel [1]	Alarmrelais	Resetten
Opstarten			Gesloten	Automatisch na 45 sec.
Laagspanning			Geopend (Alarm)	Correcte spanning toepassen
(Dubbel) bewegingsalarm			Geopend (Alarm)	Automatisch na 3 sec.
Vergrendeld PIR (Geheugen)				Schakelen naar nachtmodus

DD66XAM Dubbel/AM	Rood [1]	Gele LED	Alarmrelais	AM-relais	Resetten
Opstarten			Gesloten	Gesloten	Automatisch na 60 sec.
Laagspanning			Geopend (Alarm)	Geopend (Alarm)	Correcte spanning toepassen
(Dubbel) bewegingsalarm			Geopend (Alarm)		Automatisch na 3 sec.
Vergrendeld PIR (Geheugen)					Schakelen naar nachtmodus
AM-alarm			Geopend (Alarm) [2]	Geopend (Alarm)	Zie DIP-schakelaar 8
Technische storing				Geopend (Alarm)	Looptest uitvoeren

Continu aan Normaal knipperend (1 Hz)

[1] Driekleuren-LED.

[2] Is afhankelijk van de instelling van DIP-schakelaar SW8.

Specificaties

	DD669	DD666-D	DD669AM	DD666AM-D
Detector	Dubbel		Dubbel + AM	
Diameter bereik (instelbaar)	20 ±0,5 m of 12 ±0,5 m			
detectiebereik (instelbaar)	360 graden of 180 graden			
Optisch/spiegel	2 x 9 gordijn			
Microgolffrequentie	5725–5875 MHz			
Maximale vermogen	3,89 W			
Max. vermogen microgolven bij 1 m	0,003 µW/cm ²			
Geheugen	Ja			
Aansluitspanning	9 V gelijkstroom tot 15 V gelijkstroom (12 V nominaal)			
Max. rimpelspanning piek-tot-piek	2 V (bij 12 V gelijkstroom)			
Opstarttijd detector	45 sec.		60 sec.	

	DD669	DD666-D	DD669AM	DD666AM-D
Normaal stroomverbruik	12 mA		19 mA	
Stroomverbruik in alarm	10 mA		20 mA	
Maximaal stroomverbruik	15 mA		25 mA	
Montagehoogte	min. 2,5 m, max. 5,0 m			
Bewegingsnelheid	min 0,3, max 3,0 m/s	min 0,2, max 3,0 m/s	min 0,2, max 3,0 m/s	min 0,2, max 3,0 m/s
Alarm (normaal gesloten)/Eigenschap sabotagerelais	80 mA 30 V gelijkstroom Vorm A	80 mA 30 V gelijkstroom Vorm C	80 mA 30 V gelijkstroom Vorm A	80 mA 30 V gelijkstroom Vorm C
Sabotagebehuizing	Optioneel		Geïntegreerd (Ja)	
Eigenschap AM-relais	—		80 mA bij max. 30 V gelijkstroom	
Alarmtijd	3 sec.			
Bedrijfstemperatuur	-10 tot +55 °C			
Afmetingen (∅ x H)	∅ 138 x 92 mm			
Relatieve luchtvochtigheid	Max. 95%			
Gewicht	255 g			
IP/IK-klasse	IP30 IK04 (Alleen voor gebruik binnenshuis)			

Algemene Informatie

Fabrikant OP DE MARKT GEBRACHT DOOR:
Carrier Fire & Security Americas Corporation Inc.
13995 Pasteur Blvd
Palm Beach Gardens, FL 33418, USA
GEAUTORISEERDE EU
VERTEGENWOORDIGER:
Carrier Fire & Security B.V.
Kelvinstraat 7, 6003 DH Weert, Nederland

Waarschuwingen en disclaimers met betrekking tot de producten

DEZE PRODUCTEN ZIJN BEDOELD VOOR VERKOOP AAN EN INSTALLATIE DOOR GEKWALIFICEERDE BEROEPSKRACHTEN. CARRIER FIRE & SECURITY GEVEN GEEN GARANTIE DAT EEN PERSOON OF ENTITEIT DIE DIENS PRODUCTEN AANSCHAFT, WAARONDER "GEAUTORISEERDE DEALERS" OF "GEAUTORISEERDE WEDERVERKOPERS", OP DE JUISTE WIJZE ZIJN OPGELEID OF VOLDOENDE ERVARING HEBBEN OM PRODUCTEN MET BETREKKING TOT BRAND EN BEVEILIGING OP DE JUISTE WIJZE TE INSTALLEREN.



Zie voor meer informatie over garantiebepalingen en productveiligheid
<https://firesecurityproducts.com/policy/product-warning/> of scan de QR-code.

Certificatie



Richtlijnen
Europese Unie

Carrier Fire & Security verklaart hierbij dat dit apparaat voldoet aan de geldende eisen en bepalingen van alle toepasselijke regels en voorschriften, met inbegrip van maar niet beperkt tot de richtlijn 2014/53/EU. Voor meer informatie zie www.firesecurityproducts.com

REACH

Product kan stoffen bevatten die ook stoffen van de kandidatenlijst zijn in een concentratie van meer dan 0,1% w/w, volgens de meest recent gepubliceerde kandidatenlijst op ECHA-website. Informatie over veilig gebruik is te vinden op <https://firesecurityproducts.com/en/content/intrusion-intro>



2012/19/EU (WEEE richtlijn): Producten met deze label mogen niet verwijderd worden via de gemeentelijke huisvuilscheiding in de Europese Gemeenschap. Voor correcte vorm van kringloop, geef je de producten terug aan jou lokale leverancier tijdens het aankopen van een gelijkaardige nieuw toestel, of geef het af aan een gespecialiseerde verzamelpunt. Meer informatie vind u op de volgende website: recyclethis.info

Contact informatie

www.firesecurityproducts.com of www.aritech.com

NO: Monteringsveiledning

Innledning

DD66X/AM-serien består av Dobbel- eller Dobbel-AM-bevegelsessensorer. De har patentert Range Controlled Radar-teknologi.

Monteringsveiledning

Sensoren kan monteres i taket. Følg disse retningslinjene for å avgjøre hvor det er best å montere sensoren.

- Monter sensoren slik at en inntrengers forventede bevegelsesmønster krysser sensormønsteret (figur 4 og 5).
- Monter sensoren på en stabil overflate mellom 2,5 og 5 meter opp fra gulvet.
- Ikke monter sensoren mindre enn 0,5 meter fra objekter av metall eller 1,5 meter fra fluoriserende lamper.
- Ikke plasser objekter foran sensoren som kan hindre klar sikt (figur 1).
- Monter flere sensorer minst 6 meter fra hverandre, og bruk innstillingen for kort avstand for å unngå forstyrrelser.

Den doble teknologibehandlingen i denne sensoren gir svært god trygghet mot falsk alarm. Likevel bør man unngå mulige årsaker til falske alarmer som for eksempel:

Ting som kan føre til falske PIR-alarmer (figur 1)

- direkte sollys på sensoren
- varmekilder innenfor synsfeltet
- sterk trekk på sensoren
- dyr i synsfeltet
- tildekke detektorens synsfelt med store objekter som f.eks møbler

Ting som kan føre til falske mikrobølgealarmer

- monteringsflate som kan vibrere
- metallflater som speiler mikrobølgeenergi
- vannbevegelse i plastrør
- bevegelige eller vibrerende objekter som vifter eller luftkanaler



ADVARSEL! Dette utstyret er ikke jordet. Alle eksterne tilkoblinger mot dette utstyret må være lokalisert i same bygg og tilkoblet byggets jordtilkobling.

Isolasjon av kabler tilkoblet dette utstyret må samsvare med IEC 60332-1-2 og IEC 60332-1-3 eller IEC 60332-2-2, avhengig av kabelens tverrsnitt, eller IEC TS 60695-11-21, uavhengig av kabelens tverrsnitt. Alternativt må kablene være i samsvar med UL 2556 VW-1.

Detektorens strømforsyning må være strømbegrenset til maks 15 W.

Carrier Fire & Security anbefaler at sensoren jevnlig gåtestes og testes fra kontrollpanelet.

Montere sensoren

1. Ta av monteringsplaten (se figur 2, enhet 1).
2. Fest monteringsplaten til taket i ønsket posisjon ved hjelp av monteringshullene (se figur 2, enhet 2). Angitt monteringshøyde: min. 2,5 m — maks. 5,0 m. Spesifiserte skruer: DIN 7996, 4 mm.
3. Sensormønsteret kan justeres med opptil $\pm 15^\circ$ (maks. 30°) ved å rotere monteringsplaten før skruene blir skrudd til.
4. Koble til sensoren (se figur 2, 3, 6).

Hvis sensoren blir montert høyere opp enn de angitte 2,5 til 5 m, blir følsomheten redusert. Rekkevidden varierer fra 12 til 14 meter med kort avstand og 20 til 22 meter med lang avstand, avhengig av monteringshøyden.

Merk: Pilen (figur 2, enhet 4) viser retning på midtgardinene og den aktive retningen når bryter 4 er "AV".

5. Velg de ønskede innstillingene for jumper- og DIP-brytere (se figur 7). Du finner mer informasjon under "Stille inn sensoren".
6. Når du skal montere sensormodulen på monteringsplaten, bruker du de skruene som under transporten er plassering i monteringsplaten (se figur 2, enhet 5).

Gardinretningene 1-9 med klokken vises på monteringsplaten (se figur 2, enhet 6) (Gardin nr. 5 er midtgardinene).

Velge dekningsmønstre

Hvis du vil ha tilgang til speilet, skrur du ut skruene (figur 2, enhet 7) og åpner sensormodulen (figur 2, enhet 8). Masker de aktuelle speilgardinene med de selvklebende etikettene som følger med, og sett deretter sammen sensormodulen igjen. For eksempel: I fig. 8 ser du et speildekningsmønster der gardin 4 og 8 er maskert.

Stille inn sensoren

I figur 7 kan du se hvor jumperbryterne er plassert i detektoren.

J1: LED innstillinger

På: Begge LED på detektoren er alltid aktivert (fabrikkinnstilling).

Av: Begge LED på detektoren er alltid deaktivert.

Fjernet: Begge LED blir kontrollert av gåtest og dag/natt inngangen. Dette aktiverer minnefunksjonen til detektoren. Når detektoren er frakoblet og gåtest inngangen er deaktivert vil

mikrobølgegedelen deaktiveres i DD66X eller settes i antimask modus i DD66XAM. I denne konfigurasjonen er detektoren kun i PIR modus.

J2: Dobbelbalansert innstilling

Dette setter valgene for alarm og sabotasjereleene, og tillater deg å tilkoble detektoren til forskjellige typer sentralapparater (se figur 3 og 6).

SW 1: Polaritetsinnstilling av kontrollspenningen (CV)

På: Aktiv høy. Standard Carrier Fire & Security logikk med "aktiv høy" for å bruke Gangtest (WT), Dag/Natt (D/N), og Fjernstyrt testinngang (fabrikkverdi)

Av: Aktiv lav. "Aktiv lav" logikk for å bruke Gangtest (wt), Dag/Natt (D/N), og Fjernstyrt testinngang.

SW 2: Ikke brukt

SW 3: Sensorrekkevidde

Mikrobølgen kan stilles inn til 20 ±0,5 m eller 12 ±0,5 m.

Merk: Bare mikrobølgerrekkevidden vil bli redusert, ikke PIR-delen.

SW 4: Deteksjonsdekning

For deteksjonsdekningen kan man velge mellom 360 grader for normal bruk og 180 grader for spesielle bruksområder.

Merk: Bare PIR-dekningen vil bli justert.

SW 5 (bare AM-detektorer): Når det skal signaleres AM (anti-masking) eller TF (teknisk feil)

Merk: Bryter 5 er kun aktiv når J1 (LED innstillinger) er fjernet.

På: Bare dagmodus. Signalerer AM eller TF bare når systemet er i dagmodus. EN 50131-2-4-kompatibelt (fabrikkinnstilling).

Av: Dag- og nattmodus. Signalerer AM eller TF i både dag- og nattmodus.

SW 6 (bare AM-detektorer): AM-sensitivitet

På: Høy følsomhet. Setter AM følsomheten til høy (EN 50131).

Av: Normal. Setter AM følsomheten til normal (fabrikkverdi).

Anbefalt monteringshøyde for høy AM følsomhet er 3 m.

SW 7 (bare AM-detektorer): Tilbakestille AM/TF-alarm

Merk: Bryter 7 er kun aktiv når J1 (LED innstillinger) er fjernet.

Systemet til bare tilbakestille en AM-alarm hvis når det har oppdaget at årsaken til alarmen er eliminert. Hvis AM-kretsene ikke kan gå tilbake til sine opprinnelige referansenivåer, kant sensoren fremdeles være maskert, eller den kan være skadet. Eieren bør kontrollere visuelt at sensoren fremdeles fungerer.

På: Etter gåtest. Etter en forsinkelse på 40 sekunder tilbakestilles AM eller TF statusen når en bevegelse er detektert av begge teknologiene.

Av: Godkjent tilbakestilling. Tilbakestiller AM- eller TF-status etter en (dobbel) bevegelsesalarm når systemet er i dag- eller gåtestmodus. Den gule lampen vil bli slått av, og systemet tilbakestilles (fabrikkinnstilling).

SW 8 (bare AM-detektorer): Signalere AM- eller TF-alarm

På: AM- og alarmrelé. Signalerer AM på både AM- og alarmreleet. Signalerer TF bare på AM-releet (EN 50131).

Av: Bare AM-relé. Signalerer både AM og TF bare på AM-releet (fabrikkinnstilling).

Ekstern test / egentest (bare AM-detektorer)

Ekstern test: Med denne testen kan du teste DD66XAM fra kontrollpanelet. Bruk terminal 12 til å aktivere den eksterne testen. DD66XAM vil aktivere alarmreleet hvis testresultatet er positivt, og AM-releet hvis testresultatet er negativt.

Egentest: DD66XAM undersøker PIR- og mikrobølgekretsene hver sjettede time. Eventuelle feil rapporteres som tekniske feil. Etter en vellykket (dobbel) bevegelsesalarm vil tidsintervallet mellom hver egentest bli utvidet med seks timer.

Selvkalibrering av detektor

DD66X-serien detektoren krever selvkalibrering etter at tilførselsspenningen kobles til.

Det anbefales å vente 5 minutter før du starter gangtestesten for at detektoren skal ha fullført sin kalibreringsprosedyre.

Det anbefales også å sørge for at det ikke er noen bevegelige objekter i deteksjonsområdet i løpet av denne kalibreringstiden.

Gåteste sensoren

DD66X-serien har en gåtestmodus for sensordrift og dekningsmønster hvis LED-lampene er deaktivert. Når du skal gåteste sensoren, kobler du fra strømmen og kobler den til igjen. Gåtestmodusen kan startes med en gang oppstartssekvensen er helt ferdig (LED-lampen blinker i 45–60 sekunder). Enheten vil forbli i gåtestmodus i 30 minutter. Detektoren går tilbake til normal driftsstatus etter at gåtest perioden er avsluttet.

Under gangtesten skal installatøren krysse et gardin for å utløse PIR, og endre avstanden fra detektoren for å utløse radaren. Den enkleste metoden er å krysse en valgt gardin, og deretter bevege seg mot detektoren for å aktivere en dobbel alarm. Se figur 4 og 5 for gardinmønsteret.

Deretter skal installatøren vente 40 sekunder før gangtesten gjentas for påfølgende gardin i detektormønsteret. **Merk:** Et miljø med høyere mikrobølgestøy kan kreve en lengre hviletid før radarkretsen stabiliserer seg.

GRØNN modus (bare AM-detektorer)

Selv om mikrobølgeeffekten fra detektoren allerede er på ett veldig lavt nivå, kan den programmeres på flere måter for ytterligere å minimere mikrobølgeutstrålingen mennesker og dyr utsettes for.

Detektoren vil deaktivere mikrobølgegedelen i 3 minutter etter en kombinert alarm. Detektoren er kun i PIR modus i denne tidsperioden.

Innstilling valg 1	J1: Av	
Innstilling valg 2	J1: Fjernet	System tilkoblet

Mikrobølgegedelen er deaktivert og for DD66XAM vekslet til AM modus. Detektoren er kun i PIR modus.

Innstilling	J1: Fjernet	System frakoblet
		System gåtest deaktivert

LED-indikasjon

DD66X Dobbel	Rød [1]	Gul [1]	Alarmrelé	Tilbakestille
Oppstart			Lukket	Automatisk etter 45 sek.
Lavspenning			Åpen (alarm)	Bruk riktig spenning
Inntrengeralarm, (dobbel) bevegelse			Åpen (alarm)	Automatisk etter 3 sek.
Låst PIR (minne)				Bytt til nattmodus

DD66XAM Dobbel / AM	Rød [1]	Gul LED	Alarmrelé	AM-relé	Tilbakestille
Oppstart			Lukket	Lukket	Automatisk etter 60 sek.
Lavspenning			Åpen (alarm)	Åpen (alarm)	Bruk riktig spenning
Inntrengeralarm, (dobbel) bevegelse			Åpen (alarm)		Automatisk etter 3 sek.
Låst PIR (minne)					Bytt til nattmodus
AM-alarm			Åpen (alarm) [2]	Åpen (alarm)	Se DIP-bryter 7
Teknisk feil				Åpen (alarm)	Hopp over gåtest

Kontinuerlig på Normal blinking (1 Hz)

[1] Trefarget LED.

[2] Avhenger av innstillingen for DIP-bryter SW8.

Spesifikasjoner

	DD669	DD666-D	DD669AM	DD666AM-D
Detektor	Dobbel		Dobbel + AM	
Rekkevidde-diameter (kan velges)	20 ±0,5 m eller 12 ±0,5 m			
Vinkel på synsfelt (kan velges)	360 grader eller 180 grader			
Optisk	2 x 9 gardiner			
Mikrobølgefrekvens	5725–5875 MHz			
Maksimal signal effekt	3,89 W			
Maks. mikrobølge ut på 1 m avstand	0,003 µW/cm ²			
Minne	Ja			
Strøm inn	9 VDC til 15 VDC (12 V nominell)			
Topp-til-topp-rippel	2 V (ved 12 VDC)			
Oppstartstid for sensor	45 sek.		60 sek.	
Normalt strømforbruk	12 mA		19 mA	
Strømforbruk i alarm	10 mA		20 mA	

	DD669	DD666-D	DD669AM	DD666AM-D
Maksimalt strømforbruk	15 mA		25 mA	
Monterings høyde	min. 2,5, maks. 5,0 m			
Målets hastighet	min. 0,3, maks. 3,0 m/s	min. 0,2, maks. 3,0 m/s	min. 0,2, maks. 3,0 m/s	min. 0,2, maks. 3,0 m/s
Alarm (NC) / egenskap for sabotasjerelé	80 mA 30 VDC Skjema A	80 mA 30 VDC Skjema C	80 mA 30 VDC Skjema A	80 mA 30 VDC Skjema C
Lokk-sabotasje	Valgfritt		På kort (ja)	
Egenskap for AM-relé	—		80 mA ved 30 VDC maks.	
Alarmtid	3 sek.			
Driftstemperatur	-10 til +55°C			
Dimensjoner (Ø x H)	Ø 138 x 92 mm			
Relativ luftfuktighet	Maks. 95 %			
Vekt	255 g			
IP-/IK-spesifikasjon	IP30 IK04 (Kun for innendørs bruk)			

Regulativ informasjon

Produsent MARKEDSFØRT AV:
Carrier Fire & Security Americas Corporation Inc.
13995 Pasteur Blvd
Palm Beach Gardens, FL 33418, USA
AUTORISERT EU REPRESENTANT:
Carrier Fire & Security B.V.
Kelvinstraat 7, 6003 DH Weert, Netherlands

Produktadvarsel og forbehold



DISSE PRODUKTENE ER MENT FOR SALG TIL, OG INSTALLASJON AV, KVALIFISERTE FAGFOLK INNEN BRANN OG SIKKERHET. CARRIER FIRE & SECURITY KAN IKKE GI NOEN FORSIKRING OM AT NOEN PERSON ELLER ENHET SOM KJØPER DERES PRODUKTER, INKLUDERT EVENTUELL «AUTORISERT FORHANDLER» ELLER «AUTORISERT VIDEREFORHANDLER», HAR RIKTIG OPPLÆRING ELLER ERFARING TIL Å INSTALLERE BRANN- OG SIKKERHETSRELATERTE PRODUKTER PÅ RIKTIG MÅTE.

For mer informasjon om garantifraskrivelser og produktsikkerhet, se <https://firesecurityproducts.com/policy/product-warning/> eller skann QR-koden.

Sertifisering



EU-direktiver

Carrier Fire & Security deklarerer at denne enheten tilfredsstiller alle krav, regler og føringer inkludert i, men ikke begrenset til direktiv 2014/53/EU. For mer informasjon se www.firesecurityproducts.com

REACH

Produktet kan inneholde stoffer som også er kandidatlistestoffer i en konsentrasjon over 0,1% w/w, per den sist publiserte kandidatlisten som finnes på ECHAs nettsted.

Informasjon om sikker bruk finner du på <https://firesecurityproducts.com/en/content/intrusion-intro>



2012/19/EU (WEEE): Produkter merket med dette symbolet kan ikke kastes med usortert kommunalt søppel i den Europeiske Unionen. For riktig gjenvinning, returner dette produktet til din lokale leverandør når du kjøper et nytt produkt av tilsvarende type, eller lever det ved ett dedikert oppsamlingspunkt. For mer informasjon se: recyclethis.info

Kontaktinformasjon

www.firesecurityproducts.com eller www.aritech.com

PL: Instrukcja montażu

Wstęp

Seria DD66X/AM składa się z czujek ruchu Dual/Dual-AM. Zastosowano w nich opatentowaną technologię radarową o kontrolowanym zakresie Range Controlled Radar.

Montaż - wskazówki

Czujka może być zamontowana na suficie. Należy zastosować poniższe wskazówki w celu określenia najlepszego sposobu montażu:

- Czujkę należy tak zamontować, aby przewidywana droga intruza przebiegała w poprzek kurtyn w obserwowanym przez czujkę obszarze (rys. 4 i 5).
- Czujkę należy zamontować na stabilnej powierzchni na wysokości leżącej pomiędzy 2,5 m a 5,0 m.
- Nie należy montować czujki w odległości mniejszej niż 0,5 m od przedmiotów lub obiektów metalowych ani mniejszej, niż 1,5 m od lamp fluorescencyjnych (jarzeńówek).
- Nie należy umieszczać w polu widzenia czujki żadnych przedmiotów, gdyż mogą one zakłócić wykrywanie (rys. 1).
- Czujki należy montować w odległości przynajmniej 6 m (20 ft) od siebie, oraz ustawić krótki zakres wykrywania, aby uniknąć interferencji.

Dualna technologia przetwarzania zastosowana w tej czujce jest bardzo odporna na fałszywe alarmy. Tym niemniej należy unikać potencjalnych przyczyn niestabilności, takich jak:

Zagrożenia dla czujnika PIR (rys. 1)

- Światło słoneczne padające bezpośrednio na czujkę
- Źródła ciepła w polu widzenia czujki
- Silne przeciągi i podmuchy powietrza uderzające w czujkę
- Zwierzęta w polu widzenia
- Przesłonięcie pola widzenia czujki przez duże przedmioty, takie jak meble

Zagrożenia dla czujnika mikrofalowego

- Montaż na powierzchniach podatnych na drgania
- Metalowe powierzchnie odbijające mikrofałe
- Ruch wody w rurach plastikowych
- Poruszające się lub wibrujące obiekty takie jak wentylatory, kanały grzewcze i/lub klimatyzacyjne



OSTRZEŻENIE! Urządzenie nie jest uziemione. Każdy obwód zewnętrzny podłączony do czujki musi w całości znajdować się wewnątrz tego samego budynku i być uziemione za pomocą dedykowanego zacisku uziemienia.

Izolacja kabli podłączonych do urządzenia powinno odpowiadać wymogom norm IEC 60332-1-2 oraz IEC 60332-1-3 lub IEC 60332-2-2, w zależności od przekroju kabla, albo IEC TS 60695-11-21 niezależnie od przekroju. Ewentualnie te kable muszą spełniać wymogi normy UL 2556 VW-1.

Moc źródła zasilania czujki musi być ograniczona do 15 W.

Zaleca się regularne przeprowadzanie walktestów oraz kontroli z poziomu centrali.

Montaż czujki

1. Zdejmij płytę montażową (patrz rys. 2, pozycja 1).
2. Zdejmij płytę montażową na suficie w pożądanym położeniu przy użyciu otworów montażowych (patrz rysunek 2, pozycja 2). Dopuszczalna wysokość montażu: min. 2,5 m — maks. 5,0 m. Wymagane śruby: DIN 7996, 4 mm.
3. Kurtyny można obrócić pod kątem do $\pm 15^\circ$ (maks. 30°) poprzez odpowiednie obrócenie płyty montażowej, a następnie dokręcenie śrub.
4. Podłącz właściwe przewody (patrz rys. 2, 3, 6).

Zwiększenie wysokości montażu poza dopuszczalny zakres od 2,5 do 5,0 m zmniejszy czułość czujki. Zakres ten waha się od 12 do 14 metrów dla krótkiego zakresu wykrywania oraz od 20 do 22 metrów dla długiego zakresu w zależności od wysokości montażu.

Uwaga: Strzałka (rys. 2, pozycja 4) wskazuje kierunek środkowej kurtyny oraz kierunek aktywny, gdy przełącznik 4 jest w położeniu "OFF" (wyłączony).

5. Ustaw odpowiednio zworki i przełączniki DIP (patrz rys. 7). Zobacz rozdział "Konfiguracja czujki", aby uzyskać więcej informacji.
6. Aby zamontować czujkę na płycie montażowej, użyj śrub, które na czas transportu zostały umieszczone w płycie montażowej (patrz rysunek 2, pozycja 5).

Kierunki kurtyn detekcji 1—9, licząc w prawo, jest są pokazane na płycie montażowej (patrz rysunek 2, pozycja 6) (Kurtyna nr 5 jest kurtyną środkową).

Wybór kurtyn

W celu uzyskania dostępu do lustra należy odkręcić śruby (rysunek 2, pozycja 7) i otworzyć moduł czujki (rysunek 2, pozycja 8). Zamaskuj odpowiednie kurtyny na lustrze za pomocą dołączonych nalepek, a następnie ponownie zamontuj czujkę. Przykład na rysunku 8 pokazuje układ kurtyn, w którym kurtyny 4 i 8 są zamaskowane.

Konfiguracja czujki

Patrz rysunek 7 pokazujący położenie zworek w czujce.

J1: Ustawienie diod LED

On: Obydwie diody LED czujki działają (ustawienie fabryczne).

Off: Diody LED są odłączone.

Zworka usunięta: Diody LED są sterowane przez wejścia "Walk Test" i "Day/Night". To załącza funkcję pamięci. W czasie gdy czujka jest rozbrojona oraz wejście "Walk Test" jest wyłączone, w czujce DD66X jest wyłączona część mikrofalowa, a w czujce DD66XAM jest wyłączone wykrywanie antymaskingu. W tej konfiguracji czujka pracuje wyłącznie jako PIR.

J2: Ustawienie linii dualnej

Ta zworka ustawia przekaźniki alarmu i sabotażu. To pozwala podłączyć czujkę do dowolnej centrali (patrz rys. 3 i 6).

SW 1: Ustawianie biegunowości napięcia sterującego (CV)

On: Aktywny wysoki. Tryb ten zapewnia standardową logikę Carrier Fire & Security wraz z logiką stanu "Aktywny wysoki", aby umożliwić walktest czujek (WT), wejść sterujących Dzień/Noc (D/N), oraz test zdalny (RT).

Off: Aktywny niski. Tryb ten zapewnia logikę stanu "Aktywny niski" do włączenia wejść walktestu czujek (WT), wejść sterujących Dzień/Noc (D/N), oraz test zdalny (RT).

SW 2: Nie używany

SW 3: Zasięg czujki

Dla wykrywania mikrofalowego można wybrać zasięg 20 ±0,5 m lub 12 ±0,5 m.

Uwaga: Można zmniejszyć tylko zasięg wykrywania mikrofalowego μ W, zasięg wykrywania PIR jest stały.

SW 4: Kąt widzenia

Można wybrać kąt widzenia pomiędzy 360 stopni dla normalnych zastosowań a 180 stopni dla zastosowań specjalnych.

Uwaga: Można zmienić tylko kąt widzenia PIR, dla wykrywania mikrofalowego μ W kąt widzenia jest stały.

SW 5 (tylko czujki AM): Sygnalizacja AM (antymaskingu) lub TF (usterka techniczna)

Uwaga: Przełącznik 5 pełni swoją funkcję tylko wtedy, gdy zworka J1 diody LED jest usunięta.

On: Tylko tryb dzienny. Sygnalizacja AM lub TF tylko w trybie dziennym. Zgodny z normą EN 50131-2-4 (ustawienie fabryczne).

Off: Tryb Dzień/Noc. Sygnalizacja AM lub TF zawsze zarówno w trybie dziennym, jak i nocnym.

SW 6 (tylko czujki AM): Czulość AM

On: Wysoki poziom czułości algorytmu AM (EN 50131).

Off: Standardowy poziom czułości algorytmu AM (ustawienie fabryczne).

Minimalna zalecana wysokość montażu czujki w trybie wysokiej czułości AM wynosi 3 m.

SW 7 (tylko czujki AM): Resetowanie wyjścia AM/TF

Uwaga: Przełącznik 7 pełni swoją funkcję tylko wtedy, gdy zworka J1 diody LED jest usunięta.

System zresetuje alarm AM tylko wtedy, gdy upewni się, że przyczyna alarmu AM została usunięta. Jeżeli układ AM nie może powrócić do swojego początkowego stanu, to oznacza że czujka jest nadal maskowana lub istnieje prawdopodobieństwo, że jest ona uszkodzona. Użytkownik powinien zatem sprawdzić wizualnie, czy czujka jest nadal w pełni funkcjonalna.

On: Po walkteście. Po 40-sekundowym blokowaniu następuje resetowanie statusu AM lub TF po alarmie dualnym.

Off: Autoryzowany reset. Resetowanie statusu AM lub TF następuje po alarmie (dualnym), gdy system jest w trybie dziennym oraz w stanie walktestu. Żółta dioda LED zgaśnie, a system zostanie zresetowany (ustawienie fabryczne).

SW 8 (tylko czujki AM): Sygnalizacja wyjścia AM lub TF

On: AM + przekaźnik alarmu. Sygnalizuje stan AM na obydwu przekaźnikach, tj.: przekaźniku AM i przekaźniku alarmu. Sygnalizuje stan TF tylko na przekaźniku AM (EN 50131).

Off: Tylko przekaźnik AM. Sygnalizuje stan AM i TF na przekaźniku AM (ustawienie fabryczne).

Test zdalny/ autotest (tylko czujki AM)

Test zdalny: Ten test pozwala przetestować czujki DD66XAM z centrali. Użyj zacisku 12, aby zaktywować test zdalny. Czujki DD66XAM będą aktywowały przekaźnik alarmu, jeżeli wynik testu jest pozytywny oraz przekaźnik AM, jeżeli wynik testu jest negatywny.

Autotest: Czujka DD66XAM monitoruje obwody czujnika podczerwieni PIR i części mikrofalowe μ W, co 6 godzin. Jakikolwiek błąd jest raportowany jako usterka techniczna. Po wykryciu alarmu ruchu (w trybie dualnym) interwał czasu pomiędzy każdym testem automatycznym zostanie rozszerzony o następne 6 godzin.

Automatyczna kalibracja czujki

Czujka serii DD66X wymaga automatycznej kalibracji po podłączeniu zasilania.

Zalecane jest zaczekać 5 minut przed rozpoczęciem walktestu, aby czujka skończyła automatyczną kalibrację.

Bardzo ważne, aby w czasie kalibracji w polu widzenia czujki nie było obiektów ruchomych.

Walktest czujki

Seria czujek DD66X zapewnia możliwość wykonania walktestu, który jest używany do testowania pracy czujek i obszaru wykrywania, jeżeli czujka jest ustawiona w tryb "Dioda LED wyłączona". Aby przeprowadzić walktest czujki, odetnij napięcie zasilające i włącz je ponownie. Tryb walktestu WT może być uruchomiony natychmiast po pełnym zakończeniu inicjowania (dioda LED miga przez 45 lub 60 sekund). Urządzenie będzie pozostawało w trybie walktestu przez 30 minut. Gdy walktest zakończy się, czujka wraca do normalnego trybu.

Podczas walktestu instalator powinien przekroczyć kurtynę aby zainicjować alarm PIR, następnie zmienić dystans do czujki aby aktywować radar. Najprościej jest przekroczyć wybraną kurtynę, po czym przejść w kierunku czujki, żeby uruchomić alarm. Rozkład kurtyn jest podany na rys. 4 i 5.

Następnie, instalator powinien zaczekać 40 sekund przed powtórzeniem walktestu na następnej kurtynie.

Uwaga: w środowisku o podwyższonym szumie mikrofalowym ten czas może być większy, gdyż układ radaru będzie potrzebował więcej czasu na stabilizację.

Tryb ekologiczny (tylko czujki AM)

Chociaż energia sygnału mikrofalowego czujki jest bardzo mała, istnieje kilka sposobów na zaprogramowanie czujki tak,

aby zminimalizować działanie promieniowania mikrofalowego na ludzi i zwierzęta.

Część mikrofalowa czujki zostanie wyłączona na 3 minuty po alarmie dualnym. W tym czasie czujka będzie działać wyłącznie jako PIR.

Ustawienie 1 J1: Off
Ustawienie 2 J1: Usunięta System zazbrojony

Część mikrofalowa jest wyłączona, a czujka DD66XAM jest przełączona na tryb antymaskingu. W tym czasie czujka działa wyłącznie jako PIR.

Ustawienie J1: Usunięta System jest rozbrojony
Walktest jest wyłączony

Wskazania diod LED

DD66X Dualna	Czerwona [1]	Żółta [1]	Przełącznik alarmu	Resetowanie
Inicjacja			Zamk.	Automatycznie po 45 s
Niskie napięcie			Otwarty	Zastosuj poprawne napięcie
Alarm dualny			Otwarty (Alarm)	Automatycznie po 3 s
Pamięć alarmu PIR				Przełącz w tryb nocny

DD66XAM Dualna / AM	Czerwona [1]	Żółta dioda LED	Przełącznik alarmu	Przełącznik AM	Resetowanie
Inicjacja			Zamk.	Zamk.	Automatycznie po 60 s
Niskie napięcie			Otwarty (Alarm)	Otwarty (Alarm)	Zastosuj poprawne napięcie
Alarm dualny			Otwarty (Alarm)		Automatycznie po 3 s
Pamięć alarmu PIR					Przełącz w tryb nocny (Noc)
Alarm antymasking (AM)			Otwarty (Alarm) [2]	Otwarty (Alarm)	Patrz przełącznik DIP 7
Usterka techniczna				Otwarty (Alarm)	Przechodzi test WT

Świeci w sposób ciągły Miga normalnie (1 Hz)

[1] Dioda LED trójkolorowa.

[2] Zależnie od ustawień przełącznika DIP SW8.

Dane techniczne

	DD669	DD666-D	DD669AM	DD666AM-D
Czujka	Dualna		Dualna + AM	
Zasięg o średnicy (do wyboru)	20 ±0.5 m lub 12 ±0.5 m			
Kąt widzenia (do wyboru)	360 stopni lub 180 stopni			
Układ optyczny	2 x 9 kurtyn			

	DD669	DD666-D	DD669AM	DD666AM-D
Częstotliwość mikrofal	5725–5875 MHz			
Maksymalna moc wyjściowa	3,89 W			
Maks. moc wyjściowa mikrofal w odległości 1 m	0.003 μW/cm ²			
Pamięć zdarzeń	Tak			
Napięcie wejściowe	od 9 VDC do 15 VDC (12 V nominalnie)			
Uskok napięcia (p-p)	2 V (przy 12 VDC)			
Czas inicjacji czujki	45 S		60 S	
Nominalny pobór prądu	12 mA		19 mA	
Pobór prądu w stanie alarmu	10 mA		20 mA	
Maksymalny pobór prądu	15 mA		25 mA	
Wysokość montażu	min 2.5 m, max 5.0 m			
Zakres prędkości celu	min 0.3, maks 3.0 m/s	min 0.2, maks 3.0 m/s	min 0.2, maks 3.0 m/s	min 0.2, maks 3.0 m/s
Charakterystyki przełącznika alarmu (NC) / sabotażu	80 mA 30VDC Form A / NO	80 mA 30VDC Form C / CO	80 mA 30VDC Form A / NO	80 mA 30VDC Form C / CO
Czujnik oderwania od ściany	Opcjonalny		Dostępny na płycie (Tak)	
Charakterystyka przełącznika AM	—		80 mA przy 30 VDC max.	
Czas alarmu	3 s			
Temperatura robocza	-10 do +55°C			
Wymiary (Ø x W)	Ø 138 x 92 mm			
Wilgotność względna	Maks. 95%			
Waga	255 g			
Klasa IP/IK	IP30 IK04 (tylko do użytku wewnątrz budynków)			

Informacje prawne

Producent	WPROWADZONE NA RYNEK PRZEZ: Carrier Fire & Security Americas Corporation Inc. 13995 Pasteur Blvd Palm Beach Gardens, FL 33418, USA AUTORYZOWANY PRZEDSTAWICIEL NA TERENIE UE: Carrier Fire & Security B.V. Kelvinstraat 7, 6003 DH Weert, Holandia
-----------	--

Ostrzeżenia i zastrzeżenia dotyczące produktu



TEN PRODUKT JEST PRZEZNACZONY DO SPRZEDAŻY I MONTAŻU PRZEZ WYKWAŁIFIKOWANYCH SPECJALISTÓW. CARRIER FIRE & SECURITY NIE UDZIELA ŻADNEJ GWARANCJI, ŻE JAKAKOLWIEK OSOBA LUB JAKIKOLWIEK PODMIOT NABYWAJĄCY JEJ PRODUKTY, W TYM „AUTORYZOWANI SPRZEDAWCY” ORAZ „AUTORYZOWANI DEALERZY”, SĄ PRAWIDŁOWO PRZESZKOŁENI LUB DOŚWIADCZENI TAK, BY MOGLI PRAWIDŁOWO ZAMONTOWAĆ PRODUKTY ZABEZPIECZAJĄCE.

Więcej informacji o zastrzeżeniach dotyczących gwarancji oraz bezpieczeństwa produktów można przeczytać na stronie <https://firesecurityproducts.com/policy/product-warning/> lub po zeskanowaniu kodu QR.

Certyfikaty



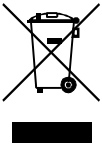
Dyrektywy Unii Europejskiej

Carrier Fire & Security niniejszym deklaruje zgodność urządzenia ze wszystkimi wymaganiami wszystkich stosownych dyrektyw, łącznie z, lecz nie ograniczając się do, Dyrektywą 2014/53/EU. Więcej informacji na stronie www.firesecurityproducts.com.

REACH

Produkt może zawierać substancje, które znajdują się na liście kandydackiej, w stężeniu powyżej 0,1% wag., zgodnie z ostatnio opublikowaną listą kandydacką na stronie internetowej ECHA.

Informacje na temat bezpiecznego użytkowania można znaleźć na stronie <https://firesecurityproducts.com/en/content/intrusi-on-intro>



2012/19/EU (WEEE): W Unii Europejskiej produkty oznaczone tym symbolem mogą być usuwane tylko jako posegregowane odpady komunalne. Dla zapewnienia właściwej utylizacji, należy zwrócić ten produkt do dostawcy przy zakupie ekwiwalentnego, nowego urządzenia albo dostarczyć go do wyznaczonego punktu zbiórki. Więcej informacji można znaleźć na stronie internetowej recyclethis.info

Informacje kontaktowe

www.firesecurityproducts.com lub www.aritech.com

PT: Instruções de instalação

Introdução

A família DD66X/AM é formada por sensores de movimento Duplo/Duplo AM. Estes dispõem da tecnologia patenteada Range Controlled Radar.

Passos de instalação

O detector pode ser montado no tecto. Utilize as instruções seguintes para determinar a melhor localização para instalar o detector:

- Instale o detector de modo a que o movimento esperado de um intruso esteja dentro do padrão de detecção (figura 4 e 5).

- Instale o detector numa superfície estável a uma altura entre 2,5 m e 5,0 m.
- Não instale o detector até 0,5 m de objectos metálicos ou a menos de 1,5 m de luzes fluorescentes.
- Não coloque objectos em frente do detector que possam evitar uma linha de visão sem obstáculos (figura 1).
- Instale os detectores a, pelo menos, 6 m de distância e utilize a definição de baixo alcance para evitar interferências.

O processamento de tecnologia dupla deste detector é muito resistente a riscos de falsos alarmes. No entanto, evite potenciais causas de falsos alarmes, como por exemplo:

Riscos PIR (figura 1)

- Luz solar directa no detector
- Fontes de calor dentro do campo de visão
- Correntes de ar fortes no detector
- Animais no campo de visão
- Que obscurecem o campo de visão do detector com objectos grandes, tais como mobília

Riscos de microondas

- Montar numa superfície susceptível a vibrações
- Superfícies de metal, que reflectem a energia de microondas
- Movimento da água através de tubos de plástico
- Objectos que mexam ou vibrem, como ventoinhas, tubos de aquecimento ou de ar condicionado



AVISO! O equipamento não se encontra ligado à terra. Qualquer circuito externo ligado ao equipamento deve estar localizado no interior do mesmo edifício e ligado a um condutor de terra.

O isolamento dos condutores ligados ao equipamento devem estar em conformidade com a IEC 60332-1-2 e IEC 60332-1-3 ou IEC 60332-2-2, dependendo da área da secção transversal do condutor, ou com a IEC TS 60695-11-21, independentemente da área transversal. Em alternativa, os condutores devem estar em conformidade com a norma UL 2556 VW-1.

A fonte de alimentação do detector deve ser limitada a 15 W de potência.

A Carrier Fire & Security recomenda que seja regularmente feito um walk test ao detector e verificado no painel de controlo.

Instalar o detector

1. Retire a placa de montagem (ver figura 2, item 1).
2. Aperte a placa de montagem ao tecto na posição requerida com furos de montagem (ver figura 2, item 2). Altura de montagem especificada: min. 2,5 m — máx. 5,0 m. Parafusos especificados: DIN 7996, 4 mm.
3. O padrão de detecção pode ser ajustado até $\pm 15^\circ$ (máx. 30°) na rotação da placa de montagem antes de apertar os parafusos.
4. Ligue os fios eléctricos do detector (ver figura 2, 3, 6).
Aumentar a altura de montagem além dos 2,5 a 5,0 metros especificados, reduz a sensibilidade. A gama varia de 12 a 14 metros para curto alcance e 20 a

22 metros para longo alcance, dependendo da altura da montagem.

Nota: A seta (fig. 2-4) indica a direcção da cortina central e a direcção activa quando o interruptor 4 está “OFF” (desligado).

5. Selecciona o jumper desejado e as configurações do DIP switch (ver figura 7). Consulte a secção “Configuração do detector” para mais informações.
6. Para colocar o módulo do sensor na placa de montagem, utilize os parafusos que estão colocados para o transporte na placa de montagem (ver figura 2, item 5).

As direcções da cortina 1—9 no sentido dos ponteiros do relógio, estão indicadas na placa de montagem (ver figura 2, item 6) (a cortina nº 5 é a cortina central).

Seleccionar os padrões de cobertura

Para aceder ao espelho, desaperte os parafusos (figura 2, item 7) e abra o módulo do sensor (figura 2, item 8). Coloque máscaras nas cortinas de espelhos adequadas com as etiquetas adesivas fornecidas e volte a montar o módulo do sensor. Por exemplo: ver figura 8 para o padrão de cobertura da cortina de espelho, que corresponde à cortina 4 e 8 com máscara.

Configuração do detector

Ver a figura 7 para os locais do jumper no detector.

J1: Configuração de LEDs

On: Activa ambos os LEDs do detector (de fábrica).

Off: Desactiva ambos os LEDs do detector.

Removido: Coloca ambos os LEDs sob controlo da input de “Walk Test” e “Day/Night”. Esta configuração active a função de memória do detector. Quando o detector é Desarmado e a input “Walk test” é desactivada, a componente de microondas é desligada, válido para os detectores DD66X ou na detecção “Anti-Mascara” para o detector DD66XAM. Nesta configuração o detector opera somente como PIR.

J2: Configuração Loop Dupla

Este configure os relés de alarme e tamper. Permite ligar o detector a qualquer painel de controlo (ver figura 5 e 6).

SW 1: Configuração da polaridade da tensão de controlo (TC)

On: Activa em High. Estabelece a lógica standard da Carrier Fire & Security com “Active High” para permitir Walk Test (WT), Dia/Noite (D/N), e inputs de teste remoto (por defeito de fábrica).

Off: Activa em Low. Estabelece a lógica “Active Low” para permitir Walk Test (WT), Dia/Noite (D/N) e inputs de teste remoto.

SW 2: Não utilizado

SW 3: Alcance do detector

O microondas pode ser seleccionado entre 20 ±0.5 m e 12 ±0.5 m.

Nota: Apenas o alcance microondas será reduzido e não a secção PIR.

SW 4: Cobertura de detecção

A cobertura de detecção pode ser seleccionada entre 360 graus para a aplicação normal e 180 graus para aplicações especiais.

Nota: Apenas a cobertura do PIR será ajustada.

SW 5 (só detectores AM): Quando sinalizar saída AM (anti-máscara) ou FT (falha técnica)

Nota: O switch 5 só tem efeito quando o J1 (Configuração de LED) é removido.

On: Modo de dia apenas. Sinaliza AM ou FT apenas se o sistema estiver no modo Dia. Compatível com EN 50131-2-4 (de fábrica).

Off: Modo Dia/noite. Sinaliza sempre AM ou FT durante o modo Dia e Noite.

SW 6 (só detectores AM): Sensibilidade AM

On: High. Selecciona o nível alto da sensibilidade AM (EN 50131).

Off: Standard. Selecciona o nível normal da sensibilidade AM (por defeito de fábrica).

Alerta-se que a altura mínima de instalação para o nível de sensibilidade alta AM é de 3m (9ft, 10 in.)

SW 7 (só detectores AM): Reiniciar a saída AM/FT

Nota: O switch 7 só tem efeito quando o J1 (Configuração de LED) é removido.

O sistema irá apenas reiniciar um alarme AM se garantir que a causa do alarme AM foi removida. Se os circuitos AM não puderem voltar aos níveis de referência originais, então o detector pode ainda estar mascarado ou, possivelmente, danificado. O proprietário deverá então verificar visualmente se o detector ainda está totalmente funcional.

On: Após o Walk Test. Após um período de inibição de 40 segundos, é efectuado reset ao estado AM ou TF quando é gerado um alarme (duplo) de movimento.

Off: Reinicialização autorizada. Reinicializa o estado AM ou FT depois de um alarme de movimento (duplo), se o sistema estiver no estado Dia e Walk Test. O LED amarelo irá desligar-se e o sistema é reinicializado (de fábrica).

SW 8 (só detectores AM): Sinalizar saída AM ou FT

On: AM + relé de alarme. Sinais AM em ambos os relés AM e alarme. Apenas sinais FT no relé AM (EN 50131).

Off: Relé AM apenas. Sinais AM e FT no relé AM (fora de fábrica).

Teste remoto/ auto-teste (só detectores AM)

Teste remoto: Este teste permite testar o DD66XAM a partir do painel de controlo. Utilize o terminal 12 para activar o teste remoto. O DD66XAM irá activar o relé de alarme se o resultado do teste for positivo e o relé AM, se o resultado do teste for negativo.

Auto-teste: O DD66XAM monitoriza os circuitos PIR e microondas de 6 em 6 horas. Um defeito é comunicado como falha técnica. Após um alarme de movimento (duplo) bem sucedido, o intervalo de tempo entre cada auto-teste será alargado em 6 horas.

Auto calibração de detetor

Os detetores da série DD66x requerem auto calibração, após a aplicação de alimentação.

Recomenda-se que aguarde 5 minutos antes de iniciar o walk test, por forma a que o detetor complete o seu processo de calibração.

É vivamente recomendado que se assegure de que não existem objetos em movimento no campo de visão do detetor, durante o tempo de calibração.

Walk test do detetor

A série DD66X fornece um modo walk test para testar o funcionamento dos detetores e o padrão de cobertura se o detetor estiver definido para LEDs desactivados. Para efectuar o walk test no detetor, retire a tensão de alimentação e aplique-a novamente. O modo walk test pode ser iniciado, assim que a sequência de arranque tiver terminado completamente (o LED pisca durante 45 ou 60 segundos). A unidade ficará no modo walk test durante 30 minutos. O detetor retorna ao modo de operação normal após fim de tempo de modo walk test.

Durante o walk test o instalador deve cruzar uma Cortina para ativar o PIR, e alterar a distância ao detetor para ativar o radar. O método mais simples é cruzar a cortina seleccionada, e mover-se em direcção ao detetor para ativar o duplo alarme. Ver as Figuras 4 e 5 para o padrão de cobertura.

De seguida, o instalador deve aguardar 40 segundos antes de repetir o walk test na cortina seguinte do padrão de cobertura.

Nota: Um ambiente com ruído elevado de microondas pode requerer um tempo mais longo para que os circuitos de radar estabilizem.

Modo VERDE (só detetores AM)

O detetor pode ser programado de várias formas de modo a minimizar a exposição de humanos e animais à radiação de microondas, embora o detetor envie sinais de microondas com uma potência muito baixa.

O detetor irá desligar a componente de microondas durante 3 minutos, após duplo alarme. Durante este tempo o detetor opera somente em modo PIR.

Opção configuração 1 J1: Off

Opção configuração 2 J1: Removido Sistema em estado Armado

A componente de microondas é desligada e para o DD66XAM comuta para AM. O detetor opera em modo PIR.

Configuração J1: Removido Sistema em modo Desarmado
Walk test desactivado

Indicação dos LEDs

DD66X Duplo	Vermelho [1]	Amarelo [1]	Relé de alarme	Reinicializar
Arranque			Fechado	Automaticamente após 45 s
Baixa tensão			Abrir (alarme)	Aplicar a tensão correcta
Alarme de movimento (duplo) contra intrusos			Abrir (alarme)	Automaticamente após 3 s
PIR em latch (memória)				Comuta para modo Noite

DD66XAM Duplo / AM	Vermelho [1]	LED amarelo	Relé de alarme	Relé de alarme	Reinicializar
Arranque			Fechado	Fechado	Automaticamente após 60 s
Baixa tensão			Abrir (alarme)	Abrir (alarme)	Aplicar a tensão correcta
Alarme de movimento (duplo) contra intrusos			Abrir (alarme)		Automaticamente após 3 s
PIR em latch (memória)					Comuta para modo Noite
Alarme AM			Abrir (alarme) [2]	Abrir (alarme)	Ver DIP switch 7
Falha técnica				Abrir (alarme)	Passar walk test

Continuamente aceso A piscar normalmente (1 Hz)

[1] LED tricolor.

[2] Depende da configuração do DIP switch SW8.

Especificações

	DD669	DD666-D	DD669AM	DD666AM-D
Detetor	Duplo		Duplo + AM	
Diâmetro de alcance (seleccionável)	20 ±0,5 m ou 12 ±0,5 m			
Ângulo de visão (seleccionável)	360 graus ou 180 graus			
Óptico	Cortinas 2 x 9			
Frequência microondas	5725–5875 MHz			
Potência máxima de saída	3,89 W			
Saída Max. microondas a 1 m	0,003 µW/cm ²			
Memória	Sim			
Alimentação de entrada	9 VDC a 15 VDC (12 V nominal)			
Ripple pico a pico	2 V (a 12 VDC)			
Tempo de início do detetor	45 S		60 S	

	DD669	DD666-D	DD669AM	DD666AM-D
Consumo normal de corrente	12 mA		19 mA	
Consumo normal no alarme	10 mA		20 mA	
Consumo máximo de corrente	15 mA		25 mA	
Altura da instalação	min 2,5 m, máx 5,0 m			
Velocidade ao "alvo"	min 0,3, max 3,0 m/s	min 0,2, max 3,0 m/s	min 0,2, max 3,0 m/s	min 0,2, max 3,0 m/s
característico do relé alarme (NC) / Tamper	80 mA 30VDC Forma A	80 mA 30VDC Forma C	80 mA 30VDC Forma A	80 mA 30VDC Forma C
Tamper de remoção	Opcional		Incorporado (sim)	
Característica do relé AM	—		80 mA a 30 VCC máx.	
Tempo de alarme	3 s			
Temperatura de funcionamento	-10 a +55°C			
Dimensões (Ø x A)	Ø 138 x 92 mm			
Humidade relativa	Máx. 95%			
Peso	255 g			
Protecção IP/IK	IP30 IK04 (somente utilização no interior)			

Informação reguladora

Fabricante	COLOCADO NO MERCADO POR: Carrier Fire & Security Americas Corporation Inc. 13995 Pasteur Blvd Palm Beach Gardens, FL 33418, USA REPRESENTANTE EU AUTORIZADO: Carrier Fire & Security B.V. Kelvinstraat 7, 6003 DH Weert, Netherlands
------------	--

Avisos e isenções de responsabilidade dos produtos	ESTES PRODUTOS ESTÃO PREVISTOS PARA SEREM VENDIDOS E INSTALADOS POR PROFISSIONAIS QUALIFICADOS. A CARRIER FIRE & SECURITY NÃO PODE APRESENTAR QUALQUER GARANTIA DE QUE QUALQUER PESSOA OU ENTIDADE QUE COMPRE OS SEUS PRODUTOS, INCLUINDO QUALQUER "DISTRIBUIDOR AUTORIZADO" OU "REVENDEDOR AUTORIZADO", TEM FORMAÇÃO OU EXPERIÊNCIA ADEQUADA PARA INSTALAR CORRETAMENTE PRODUTOS RELACIONADOS COM A SEGURANÇA E A PROTEÇÃO CONTRA INCÊNDIOS.
--	---

Para mais informações sobre isenções de garantia e sobre a segurança dos produtos, consulte <https://firesecurityproducts.com/policy/product-warning/> ou faça a leitura do código QR.

Certificação



Directivas da União Europeia	A Carrier Fire & Security declara que este dispositivo se encontra em conformidade com os requisitos e disposições aplicáveis, e com todas as regras e regulamentos aplicáveis, incluindo, entre outros, a Diretiva 2014/53/EU. Para mais informações consulte www.firesecurityproducts.com
------------------------------	---

REACH	O produto pode conter substâncias da Lista de Candidatos de concentração acima de 0.1% w/w, de acordo com a lista de Candidatos publicada recentemente no site ECHA. Informações de utilização segura podem ser encontradas em https://firesecurityproducts.com/en/content/intrusion-intro
-------	---



2012/19/EU (WEEE): Produtos marcados com este símbolo não podem ser eliminados como resíduos urbanos indiferenciados na União Europeia. Para proceder à reciclagem adequada, devolva este produto ao seu fornecedor local na compra de novo equipamento equivalente, ou entregue-o nos pontos de recolha designados para o efeito. Para mais informações, ver recyclethis.info

Informação de contacto

www.firesecurityproducts.com ou www.aritech.com

SV: Installationsanvisning

Inledning

DD66X/AM-serien är kombi-/kombi-AM-rörelsedetektorer. De har den patenterade avståndskontrollerade radartekniken.

Installationsanvisning

Detektorn kan monteras på ett innertak. Använd följande riktlinjer för att avgöra vilken plats som är bäst för installation av detektorn.

- Montera detektorn så att en inkräktares rörelse korsar detektionsfälten (figure 4 och 5).
- Montera detektorn på en stabil yta och en höjd på mellan 2,5 m och 5,0 m.
- Montera inte detektorn inom 0,5 m från metallobjekt eller inom 1,5 m från fluorescerande ljus.
- Placera inte objekt framför detektorn som kan skymma sikten (figur 1).
- Montera detektorerna på ett avstånd av minst 6 m från varandra och använd inställningen för kort räckvidd för att undvika störningar.

Kombi-tekniken i den här detektorn förhindrar onödiga larm. Trots det bör potentiella onödiga risker undvikas, till exempel:

PIR-risker (figur 1)

- Direkt solljus på detektorn
- Värmekällor inom bevakningsområdet
- Kraftigt drag på detektorn
- Stora husdjur i bevakningsområdet
- Avskärmning av detektorns täckningsområde med stora föremål, såsom möbler, skyltar

Mikrovågsrisker

- Monteringsyta som är känslig för vibrationer
- Metalltytor som reflekterar mikrovågsenergi
- Vattenrörelse genom plaströr
- Objekt som rör sig eller vibrerar, t ex fläktar, rör till värmeaggregat eller luftkonditionering



WARNING! Utrustningen är inte jordad. Alla externa kretsar som är anslutna till utrustningen måste vara belägna i samma byggnad och anslutna till en skyddande jordledare.

Isoleringen på ledarna som är anslutna till utrustningen måste överensstämma med IEC 60332-1-2 och IEC 60332-1-3 eller IEC 60332-2-2, beroende på ledarens tvärsnittsarea, eller IEC TS 60695-11-21, oavsett av tvärsnittsarea. Alternativt måste sådana ledare överensstämma med UL 2556 VW-1.

Spänningskällan för detektorn måste vara begränsad till 15 W.

Carrier Fire & Security rekommenderar att du regelbundet gångtestar detektorn och kontrollerar den mot centralapparaten.

Installera detektorn

1. Lyft av sockeln (se figur 2, artikel 1).
2. Fäst sockeln i innertaket i en passande position med monteringshålen (se figur 2, artikel 2). Monteringshöjd: min. 2,5 m — max. 5,0 m. Specifikation skruvar: DIN 7996, 4 mm.
3. Detektionsmönstret kan ändras upp till $\pm 15^\circ$ (max. 30°) genom att rotera sockeln innan skruvarna dras åt.
4. Koppla in detektorn (se figure 2, 3, 6).

Om monteringshöjden är över de angivna måtten 2,5 till 5,0 m minskar känsligheten. Räckvidden varierar mellan 12 till 14 meter i kort räckvidd och 20 till 22 meter i lång räckvidd beroende på monteringshöjden.

Notera: Pilen (figur 2, artikel 4) visar centrumridåns riktning och den aktiva riktningen när switch 4 är "OFF".

5. Välj önskade byglar- och DIP-switchar (se figur 7). Se avsnittet "Inställning av detektorn" för mer information.
6. För att fästa sensormodulen på sockeln ska skruvarna som är placerade i sockeln vid leverans användas (se figur 2, artikel 5).

Ridåerna 1—9 riktning medsols, anges i monteringsplattan (se figur 2, artikel 6) (Ridå nr. 5 är centrumridån).

Välja täckning mönster

För att komma åt spegeln demontera skruvarna (figur 2, artikel 7) och öppna sensormodul (figur 2, artikel 8). Maskera spegelridåerna med de medföljande självhäftande etiketterna och sätt ihop sensorn. Till exempel: se figur 8 för spegelridåernas täckningområde som motsvarar ridåerna 4 och 8 maskerade.

Inställningar av detektorn

Se figur 7 för byglarnas placering i detektorn.

Notera: För att uppfylla kraven i EN 50131-2-2 och SSF 1014 v5 måste J1 ställas i frånläge. SW 6 ställas till hög (de andra SWx dipswitcharna i fabriksinställning).

J1: Inställning av LED (lysdioder)

På: Aktiverar både lysdioderna på detektorn vid alla tillfällen. (Fabriksinställning).

Av: Båda lysdioderna är alltid avstängda. Det är 30 minuters fördröjning innan lysdioderna avaktiveras vid spänningssättning.

Urkopplad: Lysdioder kontrolleras och styrs av Gångtest och Dag-/nattstyrning. Detta aktiverar minnesfunktionen i detektorn. Mikrovågssändaren stängs av i kombidetektorn då den är fränkopplad (dagstyrning) och ingen styrspanning in på Gångtest samt för DD669AM då den har larmat för Antimasking. I det här läget fungerar detektorn enbart som en passiv IR-detektor.

J2: Inställning av dubbelbalanserad slinga

Inställning av larm- och sabotagerelä, potentialfri eller med inbyggda motstånd. Vilket gör att detektorn kan anslutas till vilken centralapparat som helst.

SW 1: Polaritetsinställning för styrspanning (CV)

On: Aktiv Hög. Ger standardlogik med "aktiv hög" logik. För att aktivera Gångtest- (WT) och Dag/Natt - (D/N) och Fjärrtestingångarna ska +12 V anslutas på ingångarna (fabriksinställning).

Off: Aktiv Låg. Ger standardlogik med "aktiv låg" logik. För att aktivera Gångtest- (WT) och Dag/Natt - (D/N) och Fjärrtestingångarna ska 0 V anslutas på ingångarna.

SW 2: Används ej

SW 3: Detektorns räckvidd

Mikrovågen kan väljas i intervallet $20 \pm 0,5$ m och $12 \pm 0,5$ m.

Notera: Endast mikrovågsintervallet kan minskas, inte PIR-sektionen.

SW 4: Detektorns täckning

Detektortäckningen kan väljas i omfånget 360 grader för normal applikation eller 180 grader för specialapplikationer.

Notera: Endast PIR-täckningen kan väljas.

SW 5 (endast AM-detektorer): Aktivering av AM (anti-masking) eller TF (tekniskt fel) -utgång

Notera: Switch 5 har endast påverkan när lysdiodsbygeln J1 är urkopplad.

On: Endast dagläge. Signalerar AM eller TF endast när systemet är i dagläge. EN 50131-2-4-kompatibel (fabriksinställning).

Off: Dag-/natläge. Signalera alltid AM eller TF under dag- och natläge.

SW 6 (endast AM-detektorer): AM-känslighet

On: Högre AM känslighet (EN50131).

Off: Normal AM-känslighet (Fabriksinställning).

SW 7 (endast AM-detektorer): Återställning av AM/TF-utgång

Notera: Switch 7 har endast påverkan när lysdiodsbygeln J1 är urkopplad.

Systemet återställer endast ett AM-larm om det har bekräftats att orsaken till AM-larmet har avlägsnats. Om AM-kretsen inte kan gå tillbaka till sina originalreferensnivåer är antingen detektorn fortfarande maskerad eller så kan vara skadad. Anläggningsskötaren ska göra en visuell kontroll för att se att detektorn fortfarande är helt funktionsduglig.

On: Efter gångtest. Återställning av AM eller TF-larm sker efter 40 sekunder och att detektorn detekterar en aktivering av både IR och mikrovåg.

Off: Auktoriserad återställning. Återställer AM- eller TF-status efter ett (kombi) rörelselarm när systemet är i dag- eller

gångstestsstatus. Den gula lysdioden släcks och systemet återställs (fabriksinställning).

SW 8 (endast AM-detektorer): Signalera AM- eller TF-utgångsaktivering

On: AM + larmrelä. Aktiverar AM både på AM- och larmreläerna. Aktiverar TF endast på AM-reläet (EN 50131).

Off: Endast AM-relä. Aktiverar AM och TF på AM-reläet (fabriksinställning).

Fjärr-/självtest (endast AM-detektorer)

Fjärrtest: Det här testet innebär att DD66XAM kan testas från centralapparaten. Använd anslutning 12 för att aktivera fjärrtestet. DD66XAM aktiverar larmreläet om testresultatet är positivt och AM-reläet om testresultatet är negativt.

Självtest: DD66XAM övervakar PIR och mikrovågskretsar var 6:e timme. Ett fel rapporteras som ett tekniskt fel. Efter ett lyckat (kombi) rörelselarm ökas tidsintervallet mellan självtesterna med 6 timmar.

Detektorns självkalibrering

DD66X serien kräver en självkalibrering efter uppstart.

Det rekommenderas att vänta 5 minuter innan gångtest utförs för att självkalibreringen ska hinna slutföras.

Ytterligare en viktig rekommendation är att undvika att det är rörliga objekt i detektorns synfält under självkalibreringen.

Gångtesta detektorn (endast AM-detektorer)

DD66X-serien har ett gångtestläge för att testa detektorns funktion och täckningsområde när detektorns lysdioder är inställd på avaktiverad. För att gångtesta detektorn ska du koppla ur strömmen och koppla in den igen. Gångtestläget kan startas när uppstartssekvensen är klar (lysdioden blinkar i 45 till 60 sekunder). Enheten är i gångtestläge i 30 minuter. Detektorn återgår till normal driftläge efter time out i gångtestläge.

Under gångtest ska installatören korsa en ridå för att trigga detektorn, och ändra distansen från detektorn för att trigga radarn. Den enklaste metoden är att korsa en utvald ridå, och sedan röra sig mot detektorn för att aktivera ett kombinationslarm.. Se Figurer 4 och 5 för detektorns täckningsområde. Sedan, bör installatören vänta 40 sekunder innan nästa test utförs. **Obs:** En miljö med högre mikrovågsstörning kan kräva en längre vilotid för att radarkretsen (mikrovågen) ska stabilisera sig.

GRÖNT läge

Detektorn kan ställas in i flera olika lägen för att minimera exponeringen av mikrovågsstrålning för människor och djur, dock skickar detektorn mikrovågssignal på en väldigt låg strömnivå.

Detektorn stänger av mikrovågssändaren i tre minuter vid ett kombilarm (MW+IR). Detektorn fungerar som en passiv IR-detektor under denna tid.

Inställning option 1 J1: Off

Inställning option 2 J1: Urkopplad System i Tillkopplat läge

Mikrovågssändaren är avstängd och för DD66XAM är AM-övervakningen aktiv. Detektorn fungerar endast som en passiv IR-detektor.

Inställning

J1: Urkopplad

System i Frånkopplat läge

System Gångtest avstängd

LED-indikering

DD66X Kombi	Röd [1]	Gul [1]	Larmrelä	Återställning
Uppstart			Sluten	Automatiskt efter 45 sek
Låg spänning			Öppen (larm)	Använd rätt spänning
(Kombi) rörelselarm			Öppen (larm)	Automatiskt efter 3 sek
Spärrad PIR (minne)				Växla till nattläge

DD66XAM Kombi / AM	Röd [1]	Gul LED	Larmrelä	AM-relä	Återställning
Uppstart			Sluten	Sluten	Automatiskt efter 60 sek
Låg spänning			Öppen (larm)	Öppen (larm)	Använd rätt spänning
(Kombi) rörelselarm			Öppen (larm)		Automatiskt efter 3 sek
Spärrad PIR (minne)					Växla till nattläge
AM-larm			Öppen (larm) [2]	Öppen (larm)	Se DIP omkopplare 7
Tekniskt fel				Öppen (larm)	Klara gångtest

Fast sken normal blinkande (1 Hz)

[1] Trefärgad LED.

[2] Beroende på inställningen för DIP switch SW8.

Tekniska specifikationer

	DD669	DD666-D	DD669AM	DD666AM-D
Detektor	Kombi		Kombi + AM	
Räckvidd diameter	20 ±0,5 m eller 12 ±0,5 m (valbar)			
Visningsvinkel	360 grader eller 180 grader (valbar)			
Optik	2 x 9 ridåer			
Mikrovågssfrekvens	5725–5875 MHz			
Maximal effekt	3,89 W			
Max. mikrovåg ut vid 1 m	0.003 µW/cm ²			
Minne	Ja			
Mätningsspänning	9 VDC till 15 VDC (12 V nominell)			
Vpp rippel	2 V (vid 12 VDC)			
Uppstartningstid	45 s		60 s	
Normal strömförbrukning	12 mA		19 mA	

	DD669	DD666-D	DD669AM	DD666AM-D
Strömförbrukning i larm	10 mA		20 mA	
Maximal strömförbrukning	15 mA		25 mA	
Monteringshöjd	min. 2,5 m, max. 5,0 m			
Objektets rörelsehastighet	min 0.3, max 3.0 m/s	min 0.2, max 3.0 m/s	min 0.2, max 3.0 m/s	min 0.2, max 3.0 m/s
Larm (NC) / Sabotagefördröjning	80 mA 30 VDC Form A	80 mA 30 VDC Form C	80 mA 30 VDC Form A	80 mA 30 VDC Form C
Sabotageskydd	Valfritt		På kortet (ja)	
AM-relä	—		80 mA vid 30 VDC max.	
Larmtid	3 sek			
Driftstemperatur	-10 till +55 °C			
Mått (Ø x H)	Ø138 x 92 mm			
Relativ fuktighet	Max. 95 %			
Vikt	255 g			
IP/IK-klassning	IP30 IK04 (Endast för inomhusbruk)			
Miljöklass	II			
Larmklass	3	—	3	—

Användarinstruktion

Informera användaren att inte skärma av detektorns bevakningsområde genom att placera föremål framför detektorn.

Information om regler och föreskrifter

Tillverkare	SLÄPPT PÅ MARKNADEN AV: Carrier Fire & Security Americas Corporation Inc. 13995 Pasteur Blvd Palm Beach Gardens, FL 33418, USA AUKTORISERAD EU-REPRESENTANT: Carrier Fire & Security B.V. Kelvinstraat 7, 6003 DH Weert, Netherlands/Holland
-------------	---

Produktvarningar och friskrivningar



DESSA PRODUKTER ÄR AVSEDDA FÖR FÖRSÄLJNING TILL OCH INSTALLATION AV BEHÖRIG PERSONAL. CARRIER FIRE & SECURITY KAN INTE GARANTERA ATT EN PERSON ELLER JURIDISK PERSON SOM KÖPER DESS PRODUKTER, INKLUSIVE "KVALIFICERAD FÖRSÄLJARE" ELLER "ÅTERFÖRSÄLJARE", ÄR ORDENTLIGT UTBILDAD ELLER HAR ERFARENHET AV ATT INSTALLERA BRAND- OCH SÄKERHETSRELATERADE PRODUKTER.

För mer information om garantifriskrivningar och produktsäkerhet, se <https://firesecurityproducts.com/policy/product-warning/> eller skanna QR-koden.

Certifiering



EU-direktiv

Carrier Fire & Security deklarerar härmed att denna enhet överensstämmer med gällande krav och bestämmelser i alla tillämpliga regler och föreskrifter, inklusive men inte begränsat till direktivet 2014/53/EU. För mer information: www.firesecurityproducts.com

REACH

Produkten kan innehålla ämnen som finns i Kandidatförteckningen i en koncentration av 0,1% w/w, per den senast listade kandidatförteckningen på ECHA:s webbplats.

Information om säker användning finns på <https://firesecurityproducts.com/en/content/intrusion-intro>



2012/19/EU (WEEE): Produkter märkta med denna symbol får inte kastas i allmänna sophanteringssystem inom den europeiska unionen. För korrekt återvinning av utrustningen skall den returneras din lokala återförsäljare vid köp av liknande ny utrustning eller lämnas till en därför avsedd deponering. För mer information, se: recyclethis.info

Kontaktuppgifter

www.firesecurityproducts.com eller www.aritech.com





Declaration of Conformity

The DD669/DD666-D are suitable for use in alarm systems designed to comply with PD6662 at security grade 2 and environmental class II. The DD669AM/DD666AM-D are suitable for use in alarm systems designed to comply with PD6662 at security grade 3 and environmental class II. They conform to the relevant parts of the following standards:

EN 50131-1 — Alarm systems-Intrusion systems Part 1: System requirements

EN 50131-2-4 — Alarm systems. Intrusion systems. Intrusion detectors. Combined PIR/Microwave

The DD669/DD666-D have been tested and certified to EN 50131-2-4, EN 50131-1 for security grade 2, environmental class 2, by the Dutch testing and certification body Telefication B.V. The DD669AM/DD666AM-D have been tested and certified to EN 50131-2-4, EN 50131-1 for security grade 3, environmental class 2, by the Dutch testing and certification body Telefication B.V

BE	DE	FR	
<p>DD669 N°: C0010450 DD669AM N°: C0010451</p> 	<p>DD666-D/DD669 VdS Nr: G110510 Klasse:B</p> <p>DD666AM-D VdS Nr: G110511 Klasse:B</p> <div style="border: 1px solid black; padding: 5px; width: fit-content; margin: 10px auto;">VdS</div> <p style="text-align: center;">CH</p> <p>DD666-D / DD669 / DD666AM-D</p> 	<p>DD669 : n°2821100007, Grade 2</p>  <p>Certifié suivant les référentiels : EN50131-2-4, RTC50131-2-4, NF324-H58</p> <p>Immunité au champ magnétique : 1.12T (DD669) Immunité au champ magnétique : 1.24T (DD669AM)</p> <p>Autoprotection à l'ouverture : DD669/DD669AM Autoprotection à l'arrachement : DD669AM</p> <p>Classe d'environnement II</p> <p>Zone de détection :</p> <ul style="list-style-type: none"> - Hauteur maxi = 5m - Largeur maxi = 10m de rayon -Angle maxi = 360° <p>CNPP Cert www.cnpp.com</p>	<p>DD669AM : n°2831100007, Grade 3</p>  <p>AFNOR Certification www.marque-nf.com</p>