

# NDA-7100-PA2H Wall arm & PSU for AD7100i 230VAC



- ▶ Aluminum enclosure rated to IP66 to prevent dust and water ingress
- ▶ IK10 impact rating ensures enclosure integrity
- ▶ 230 VAC transformer
- ▶ For applications without PoE or for redundant power applications with PoE

Bosch offers a series of power supply units with wall arms that provide 24 VAC power to AUTODOME 7100i and AUTODOME 7100i IR cameras for applications without PoE or for redundant power applications with PoE. Each unit has an IK10 rating, provides IP66 ingress protection, and meets power and electrical safety requirements in extreme environmental conditions. The unique design protects the power supply units from vandalism and tampering events.

EN55032: 2015 + A11: 2020 (Class A)  
 EN61000-3-2: 2014  
 EN61000-3-3: 2013  
 FCC47 Part 15 B (Class A)  
 CISPR32 (Class A)

RoHS Complies with ENIEC63000:2018

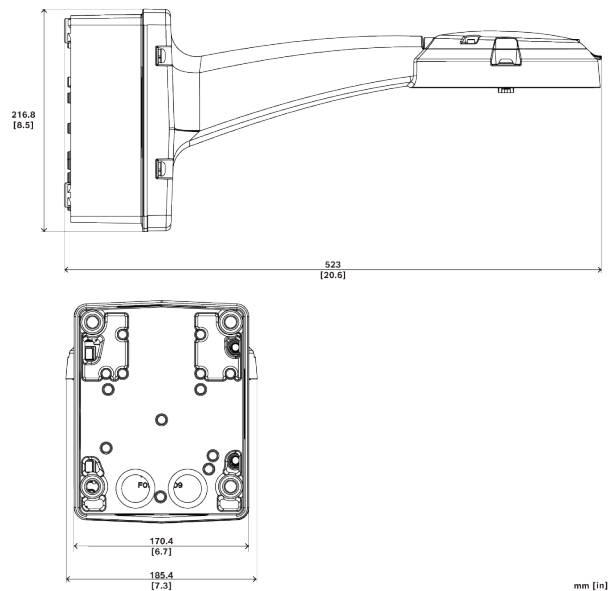
## Regulatory information

For a full list of all related certifications/standards, refer to the Product Test Reports, available on the online catalog, on the Documents tab of the product page for your device. If the document is unavailable on the product page, contact your sales representative.

Product Safety	Complies with EN, IEC, UL Standards including: UL62368-1 2nd Ed CAN/CSAC22.2 No. 62368-1-1 IEC62368-1:2014 EN62368-1:2014+A11:2017 UL62368-1 3rd Ed CSAC22.2 No. 62368-1:19 IEC62368-1:2018 ENIEC62368-1:2020+A11:2020
----------------	--

Electromagnetic Compatibility (EMC)	Complies with FCC Part 15, ICES-003 Issue 7 (for Canada only), and CE regulations, including latest versions of: EN50130-4: 2011
-------------------------------------	---

## Installation/configuration notes



These units can be mounted directly to a wall or other flat surface. Optional pole and corner mounting accessories are also available, allowing you

to tailor your AUTODOME installation to your specific requirements. Multiple cable gland/conduit entry points protect cables and simplify installation.

#### Parts included

Quantity	Component
1	Wall arm and power supply unit
1	Quick installation guide
1	Safety and security information manual

#### Technical specifications

##### Electrical

Input voltage (VAC)	230 VAC
Output voltage (VAC)	24 VAC

##### Environmental

Operating temperature (°C)	-60 °C– 60 °C
Operating temperature (°F)	-76 °F– 140 °F
Operating relative humidity, condensing (%)	0%– 100%
IP rating	IP66
Impact protection	IK10

##### Construction

Dimensions (H x W x D) (mm)	216.8 mm x 523 mm x 185.4 mm
Dimensions (H x W x D) (in)	8.5 in x 20.6 in x 7.3 in
Color (RAL)	RAL9003 Signal white
Material	Aluminum
Coating type	Powder coat
Material finish	Sand finish

#### Ordering information

NDA-7100-PA2H Wall arm & PSU for AD7100i 230VAC  
Wall arm + Power supply unit for AUTODOME7100i  
cameras, IK10 rating  
230 VAC  
Order number NDA-7100-PA2H

#### Accessories

NDA-U-CMT Corner mount adapter  
Universal corner mount, white  
Order number NDA-U-CMT

NDA-U-PMAL Pole mount adapter large  
Universal pole mount adapter, white; large  
Order number NDA-U-PMAL



<https://www.boschsecurity.com>