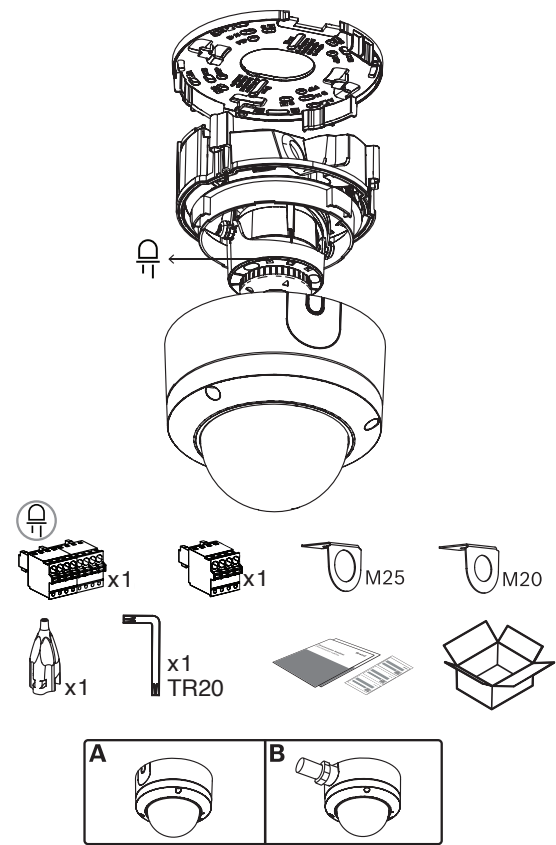


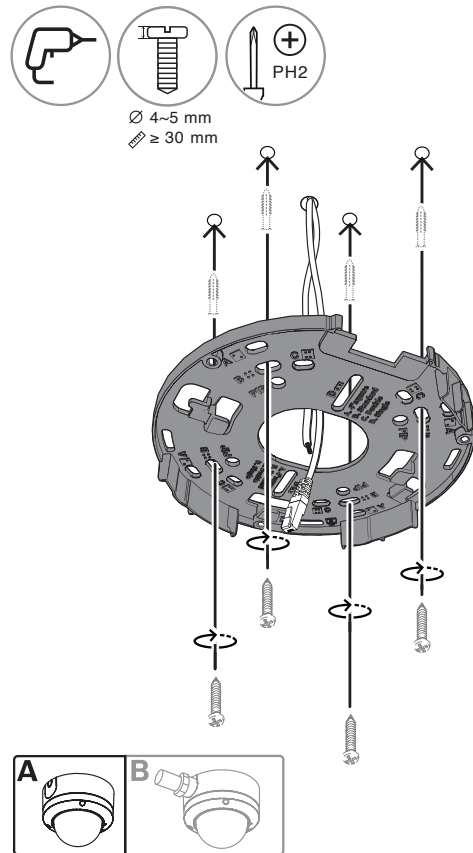
1 |

This manual is applicable to these products.  
 Dieses Handbuch gilt für diese Produkte.  
 Ce manuel s'applique à ces produits.  
 Este manual es aplicable a estos productos.  
 本手册适用于这些产品。  
 NDV-5702-A, NDV-5703-A, NDV-5704-A, NDV-5702-A-GOV,  
 NDV-5703-A-GOV, NDV-5704-A-GOV, NDV-5702-AL,  
 NDV-5703-AL, NDV-5704-AL, NDV-5702-AL-GOV,  
 NDV-5703-AL-GOV, NDV-5704-AL-GOV

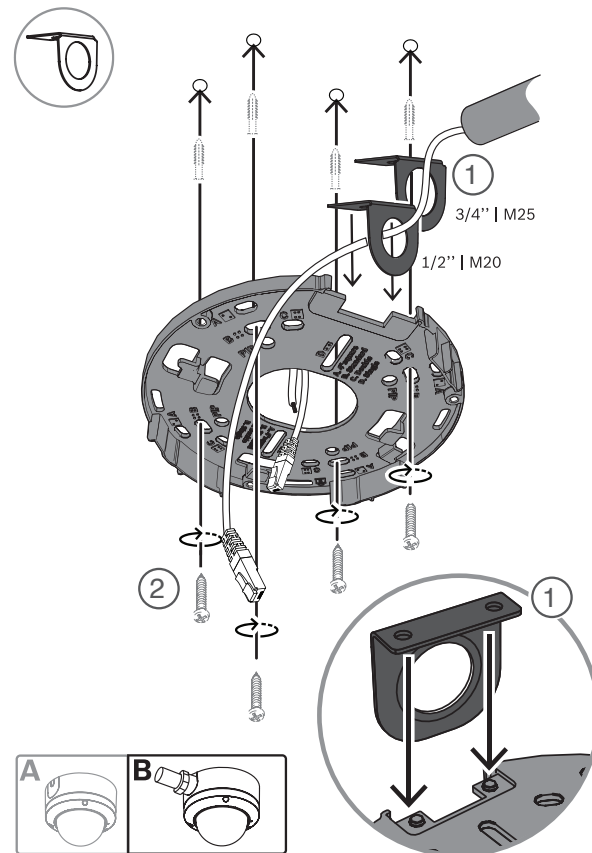
2 |



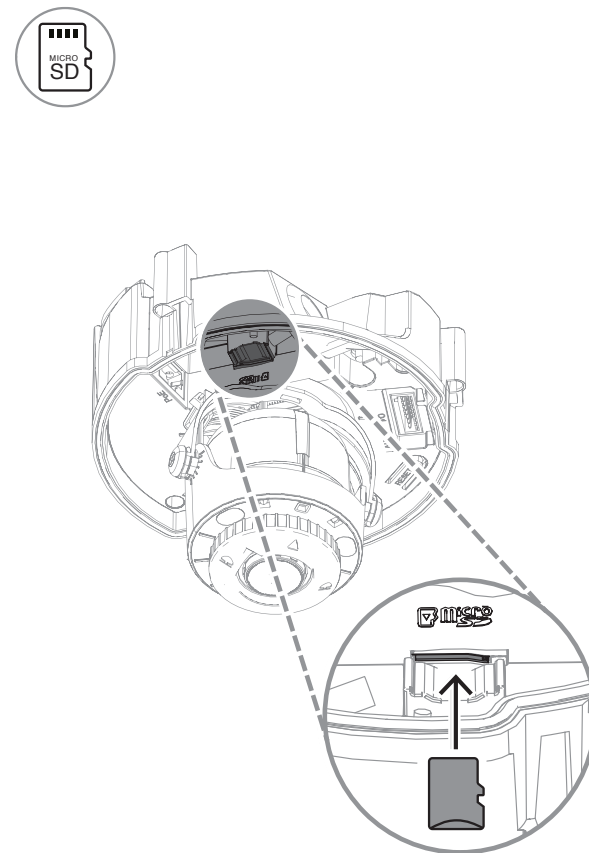
3 |



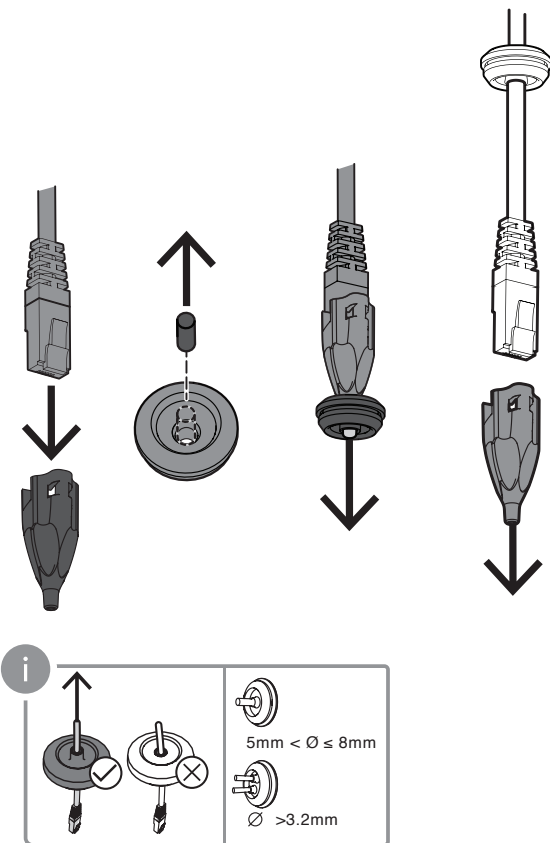
4 |



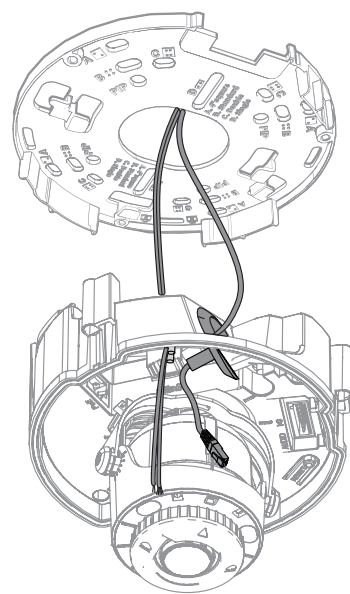
5 |



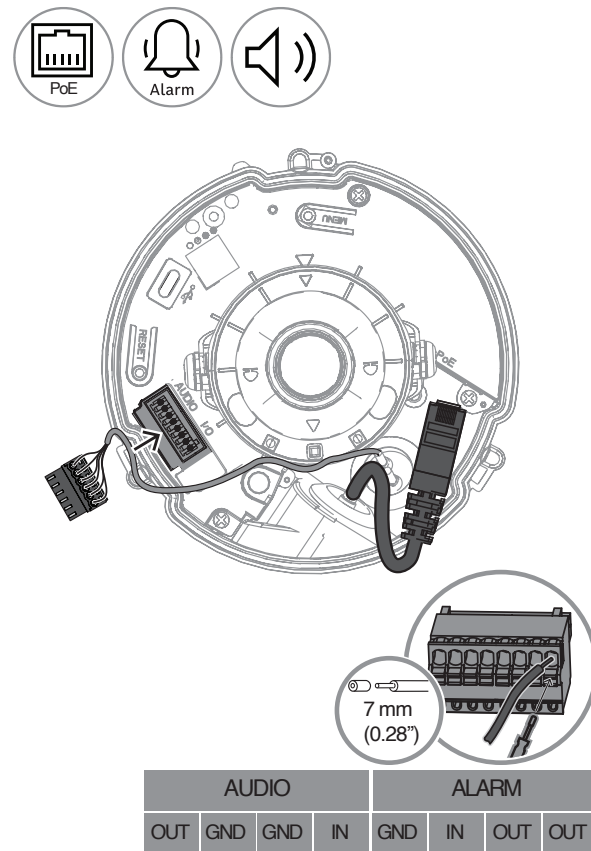
6 |



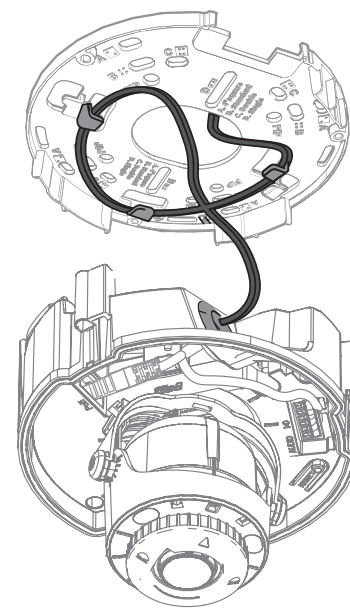
7 |



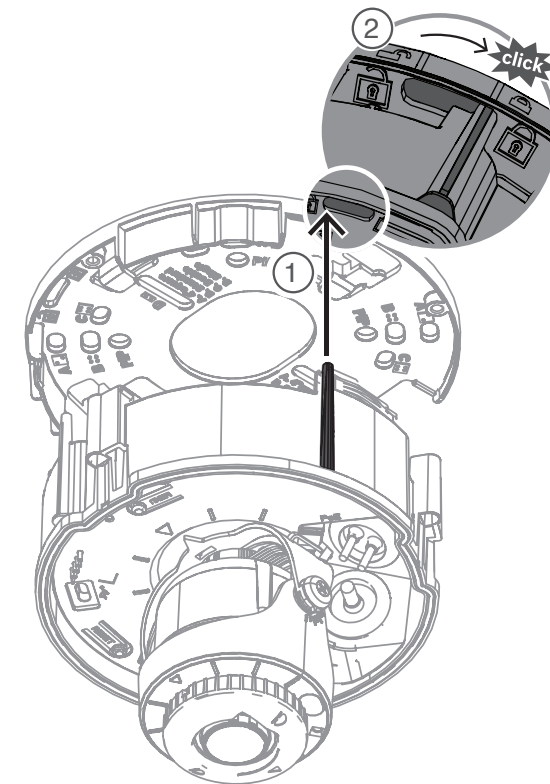
8 |

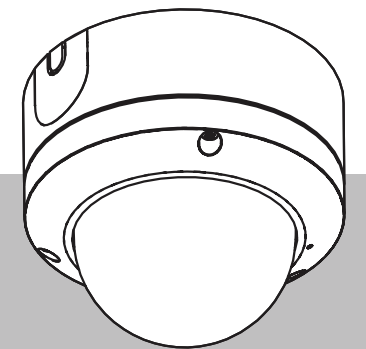


9 |



10 |





en Quick installation guide

Bosch Security Systems B.V.  
Torenallee 49  
5617 BA Eindhoven  
Netherlands  
[www.boschsecurity.com](http://www.boschsecurity.com)  
© Bosch Security Systems B.V., 2024

14 |

!

13 |

Project Assistant app  
Windows | iOS | Android

USB-C

NCA-WLAN-EU  
NCA-WLAN-NA

**BOSCH**

<https://downloadstore.boschsecurity.com/>

12 |

Tilt  
0~85°

1

2

x2

11 |

355° Pan

350° Twist

16 |

TR20

15 |