

DH-PFA151A

Anti-corrosion Corner Mount Bracket



- Built of SECC.
- Suitable for a variety of cameras and is elegant.



Series Overview

The Mounting Bracket works with front-end services, supporting installation methods such as wall mount, pole mount, corner mount and in-ceiling mount. Select brackets are designed to suit complex scenes, making them convenient to use in environments with high temperatures, humidity, frequent vibrations, and in locations that are highly corrosive. These highly reliable brackets are easy to install and use.

Scene

Ideal for mounting cameras, it works in temperatures ranging from -40°C to $+60^{\circ}\text{C}$ (-40°F to $+140^{\circ}\text{F}$) and in environments with relative humidity of less than 90%.

Technical Specification

Structure

Casing Material	SECC
Product Dimensions	243.1 mm × 170.0 mm × 138.0 mm (9.57" × 6.69" × 5.43") (L × W × H)
Appearance Color	White
Net Weight	1.70 kg (3.75 lb)
Gross Weight	2.21 kg (4.87 lb)
Load bearing	10.0 kg (22.05 lb)
Installation	Corner mount
Packaging Dimensions	261.0 mm × 186.0 mm × 162.0 mm (10.28" × 7.32" × 6.38") (L × W × H)
Applicable Model	Please see "Camera Accessories Selection"

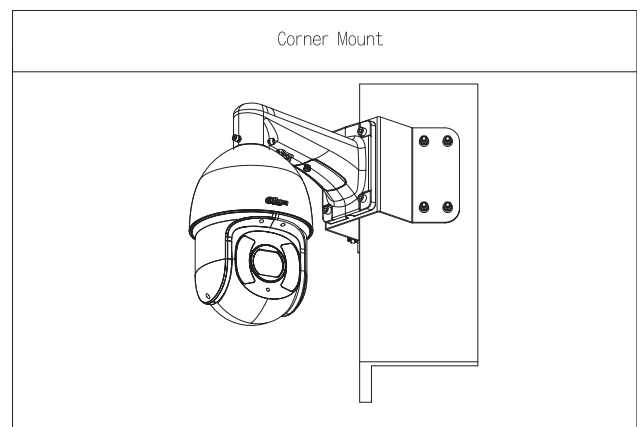
Environment

Operating Temperature	-40°C to $+60^{\circ}\text{C}$ (-40°F to $+140^{\circ}\text{F}$)
Operating Humidity	< 90% (RH)
Storage Temperature	-40°C to $+60^{\circ}\text{C}$ (-40°F to $+140^{\circ}\text{F}$)
Storage Humidity	10%–90% (RH)
Anti-corrosion Level	Moderate Protection

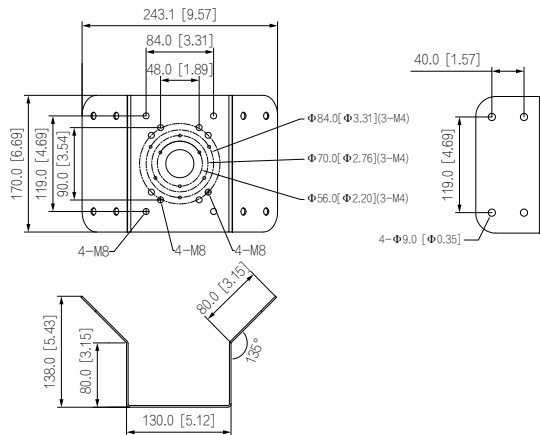
Ordering Information

Type	Model	Description
Camera Mount	DH-PFA151A	Anti-corrosion Corner Mount Bracket

Installation



Dimensions (mm[inch])



Package Information

- Anti-corrosion corner mount bracket × 1
- M8×25 screw × 4
- M8×80 metal expansion bolt × 4
- S6.0 wrench × 1