

DH-HAC-ME1200B-PIR

2MP HDCVI MotionEye Camera

HDCVI



- Max 30fps@1080P
- HD and SD output switchable (video only)
- 2.8mm fixed lens
- 10m/110° detecting range/angle
- Quaternionic digital sensor
- Max. IR length 20m, Smart IR
- IP67, DC12V



System Overview

The MotionEye product is an indoor / outdoor dual detection video camera, designed for applications where video verification of intrusion alarms is necessary or desired. By incorporating an infrared sensor into the 1080P camera, both motion detection and PIR detection are used to reduce false alarms and keep you acquire accurate and effective alarm informations in real time.

Functions

Wide Detection Range

Designed with Fresnel lens, the PIR of MotionEye is able to cover wide monitoring range with horizontal angle of view up to 110° within a distance from 2m to 10m.

Dual Detection

The detection accuracy is well guaranteed with both motion detection and PIR detection, which can eliminate the number of false alarms you receive. With the advantage of dual detection technology, your HDD will now last longer and not be recorded with false alarms. Gone are the days of alarms caused by heavy wind or rain. Instead, only true threats will instantly trigger an alarm and allow you to protect your loved ones.

Long Distance Transmission

HDCVI technology guarantees real-time transmission at long distance without any loss. It supports up to 800m transmission via coaxial cable, and up to 300m via UTP cable*.

*Actual results verified by real-scene testing in Dahua's test laboratory.

Multi-formats (Video Only)

The camera supports multiple video formats including HDCVI, CVBS and other two common HD analog formats in the market. The four formats can be switched over through by PFM820 (UTC controller). This feature makes the camera to be compatible with not only HCVRs but also most end users' existing HD/SD DVRs.

Smart IR

The camera is designed with array LED IR illumination for best lowlight performance. Smart IR is a technology to ensure brightness uniformity in B/W image under low illumination. Dahua's unique Smart IR adjusts to the intensity of camera's infrared LEDs to compensate for the distance of an object, and prevents IR LEDs from overexposing images as the object come closer to the camera.

Protection

The camera's outstanding reliability is unsurpassed due to its rugged design. The camera is protected against water and dust with IP67, making it suitable for indoor or outdoor environments.

With PIR working temperature range of -10 °C to +50 °C (+14 °F to +122 °F), the MotionEye is designed for extreme temperature environments.

Supporting ±30% input voltage tolerance, this camera suits even the most unstable power supply conditions. Its 4KV lightning rating provides protection against the camera and its structure from the effects of lightning.

Technical Specification

Camera

Image Sensor	1/2.7" CMOS
Effective Pixels	1920(H)×1080(V), 2MP
Scanning System	Progressive
Electronic Shutter Speed	PAL: 1/4~1/100000s NTSC: 1/3~1/100000s
Minimum Illumination	0.02Lux/F2.0(Color), 30IRE, 0Lux IR on
S/N Ratio	More than 65dB
IR Distance	Up to 20m (66feet)
IR On/Off Control	Auto / Manual
IR LEDs	1

Lens

Lens Type	Fixed lens / Fixed iris
Mount Type	Board-in
Focal Length	2.8mm
Max Aperture	F2.0
Angle of View	H: 112°
Focus Control	N/A
Close Focus Distance	500mm 19.7"

DORI Distance

Note: The DORI distance is a “general proximity” of distance which makes it easy to pinpoint the right camera for your needs. The DORI distance is calculated based on sensor specification and lab test result according to EN 62676-4 which defines the criteria for Detect, Observe, Recognize and Identify respectively.

	DORI Definition	Distance
Detect	25px/m (8px/ft)	2.8mm: 40m(131ft)
Observe	63px/m (19px/ft)	2.8mm: 16m(52ft)
Recognize	125px/m (38px/ft)	2.8mm: 8m(26ft)
Identify	250ppm (76px/ft)	2.8mm: 4m(13ft)

Pan / Tilt / Rotation

Pan/Tilt/Rotation	Pan: 0° ~ 360° Tilt: 0° ~ 90° Rotation: 0° ~ 360°
-------------------	---

Video

Resolution	1080P (1920×1080)
Frame Rate	25/30fps@1080P, 25/30/50/60fps@720P
Video Output	1-channel BNC high definition video output / CVBS video output (Can switch)
Day/Night	Auto (ICR) / Manual

OSD Menu	Multi-language
BLC Mode	BLC / HLC / DWDR
WDR	DWDR
Gain Control	AGC
Noise Reduction	2D
White Balance	Auto / Manual
Smart IR	Auto / Manual

PIR

Detection	Passive infrared
Detection Range	10m, 110°
Alarm prompt	Red led
Installation height	Default bracket, wall mount, 2.2-2.5m

Certifications

Certifications	CE (EN55032, EN55024, EN50130-4) FCC (CFR 47 FCC Part 15 subpartB, ANSI C63.4-2014) UL (UL60950-1+CAN/CSA C22.2 No.60950-1)
----------------	---

Interface

Audio Interface	N/A
-----------------	-----

Electrical

Power Supply	12V DC ±30%
Power Consumption	Max 4.1W (12V DC, IR on)

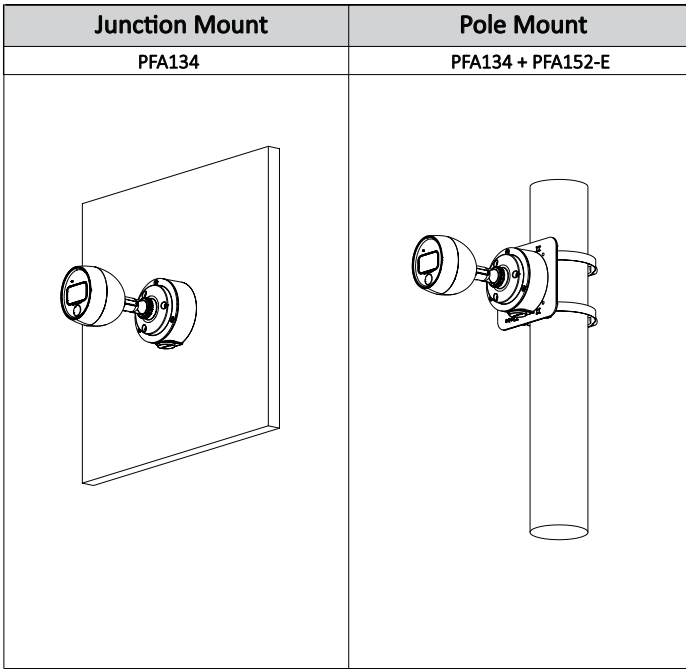
Environmental

Operating Conditions	-10°C ~ +50°C (+14°F ~ +122°F) / Less than 95% RH * Start up should be done at above -10°C (14°F)
Storage Conditions	-10°C ~ +50°C (+14°F ~ +122°F) / Less than 95% RH
Ingress Protection & Vandal Resistance	IP67

Construction

Casing	Aluminium (Front cover) + Plastic (Rear Barrel)
Dimensions	146.6mm×72.4mm×83mm (5.77"×2.85"×3.27")
Net Weight	0.23kg (0.51lb)
Gross Weight	0.30kg (0.66lb)

Ordering Information		
Type	Part Number	Description
2MP Camera	DH-HAC-ME1200BP-PIR 2.8mm	2MP HDCVI MotionEye Camera, PAL
	DH-HAC-ME1200BN-PIR 2.8mm	2MP HDCVI MotionEye Camera, NTSC
Accessories	PFA134	Junction box (For use alone or with PFA152-E pole mount)
	PFA152-E	Pole mount (For use with PFA134 junction box)
	PFM820	UTC Controller
	PFM800	Passive HDCVI Balun
	PFM801	Passive HDCVI Balun with Power
	PFM809-4CH	4 Channel Passive HDCVI Balun
	PFM809	16 Channel Passive HDCVI Balun
	PFM810	POC Transceiver



Accessories

Optional:



PFA134
Junction box



PFA152-E
Pole mount



PFM820
UTC Controller



PFM800
Passive HDCVI Balun



PFM801
Passive HDCVI Balun with Power



PFM809-4CH
4 Channel Passive HDCVI Balun



PFM809
16 Channel Passive HDCVI Balun



PFM810
POC Transceiver

Dimensions (mm/inch)

