

IFAMAMP

250W amplifier module for Previdia Ultravox control panels

250W audio amplifier module for Previdia Ultra control panels (supplied already assembled in Previdia Ultravox and Previdia Vox control panels).

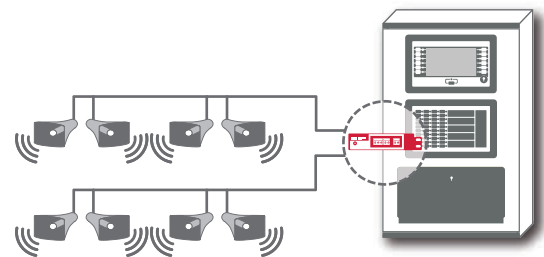
Provides two lines for connecting speakers configurable in A /B mode or in loop mode, each line is protected separately against short circuit.

The impedance of the speaker line is supervised by a high frequency tone.

Includes an analogue input for an audio source with adjustable priority for the amplifier line only.

Configurable as a backup amplifier capable of automatically replacing a faulty amplifier inside the same control panel.

Each control panel manages a maximum of 30 IFAMAMP modules (maximum 8 for each cabinet).



MAIN FEATURES

- Class D amplifier
- Connectable to the CAN DRIVE+ bar of Previdia Ultravox cabinets
- Maximum 30 IFAMAMP modules per control panel (8 per cabinet)
- Output voltage 100Vrms
- Maximum power 250W
- Overload protected
- 2 terminals for connecting the speakers on 2 separate lines (LINE A/LINE B)
- Each line individually short-circuit protected
- Configurable as a loop connection (IAS-ISOL1000 isolator modules are to be added to the loop)
- Can be configured as a backup amplifier
- "LOCAL AUDIO" input with configurable priority for audio sources intended for the power supply speaker line only
- Hot arming/disarming on the CAN DRIVE+ bar
- Volume and 3-band equalization separately adjustable for sources such as music, voice announcements, emergency

TECHNICAL SPECIFICATIONS

Operating power supply voltage	20 – 30 V \overline{ac} (powered by the CAN DRIVE+ bar)	
Standby current consumption	530 mA (14 W)	
Absorption in the event of mains power failure and no emergency	100 mA (2.5 W) Max.	
Maximum current draw	10 A (250 W + 14 W)	
Speaker lines LINE A / LINE B	Voltage of outputs	100 Vrms max.
	Maximum load	250 W total
	Minimum resistance	40 Ohm total
Audio input LOCAL AUDIO	Input voltage	Maximum 1 Vrms (non balanced between "+" and "GND" or between "-" and "GND")
	Input impedance	10 KOhm
Frequency response	50 – 20000 Hz	
MUSIC / VOICE / EMERGENCY ANNOUNCEMENTS SOURCES	Separate volume adjustment	+6 / -40 dB
	Separate 3-band equalization	+6 / -40 dB

IFAMAMP

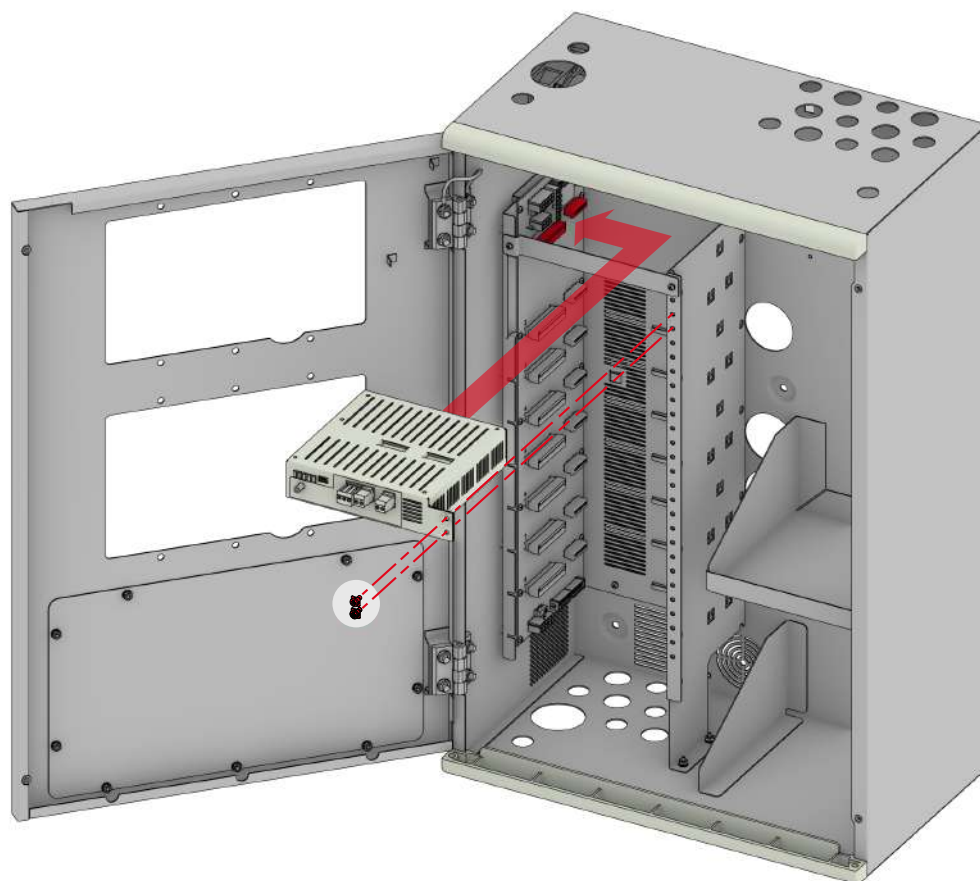
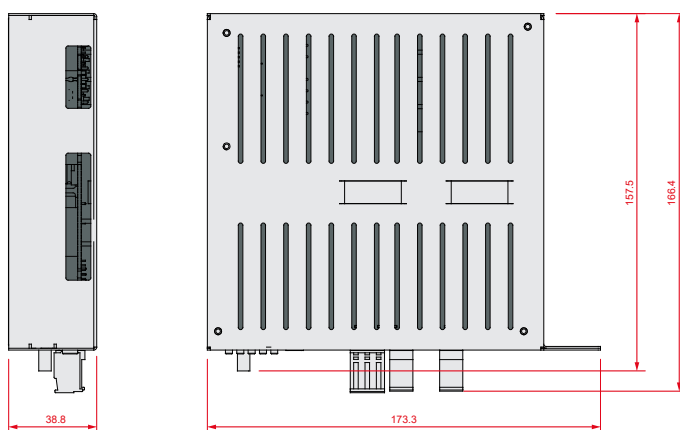
MECHANICAL SPECIFICATIONS

Dimensions	175.5 x 160 x 40 mm	
Weight	900 g	
Enclosure	Enclosure material	Plastic
	Colour	RAL7015
	Flame class	UL 94 V-2

HARDWARE SPECIFICATIONS

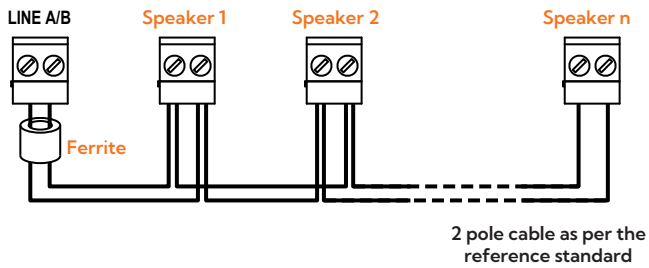
Amplifier type	D class
Cooling	With internal fan
FW upgrade	via mini-USB port
Activity and status LED	5

DIMENSIONS AND INSTALLATION

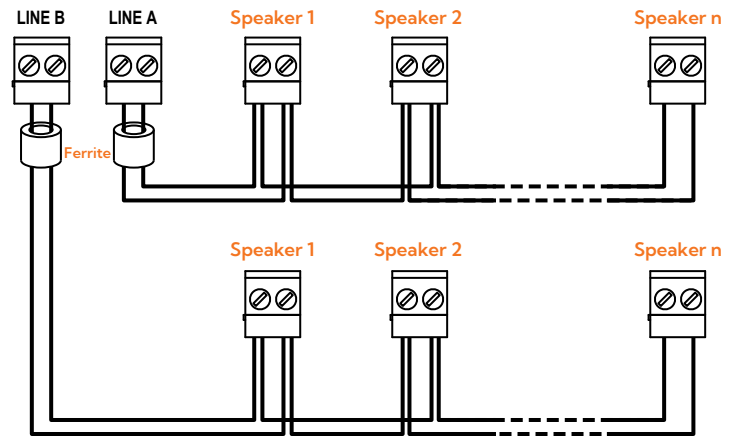


CONNECTIONS

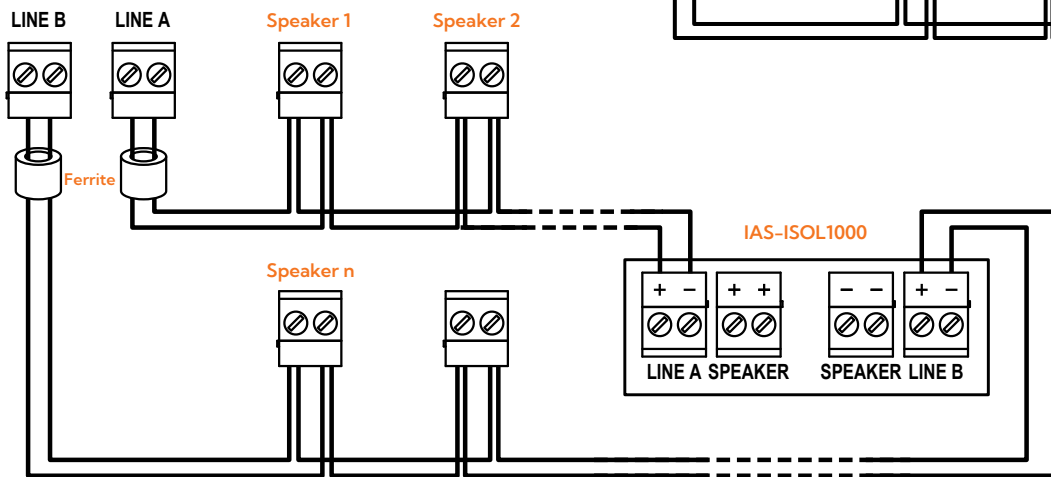
Speaker outputs, single line connection



Speaker outputs, dual line connection



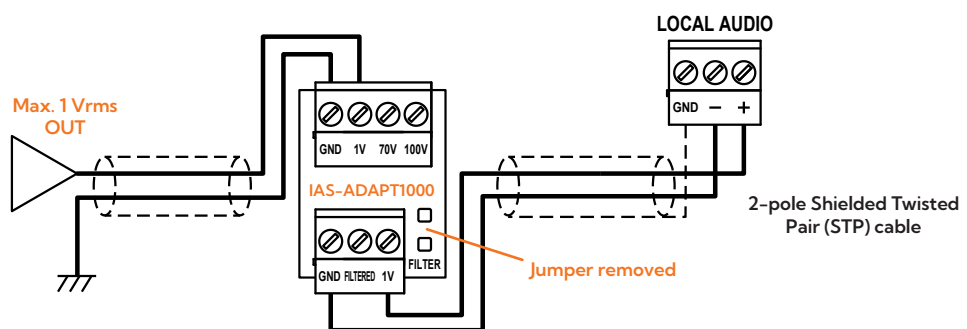
Speaker outputs, loop connection



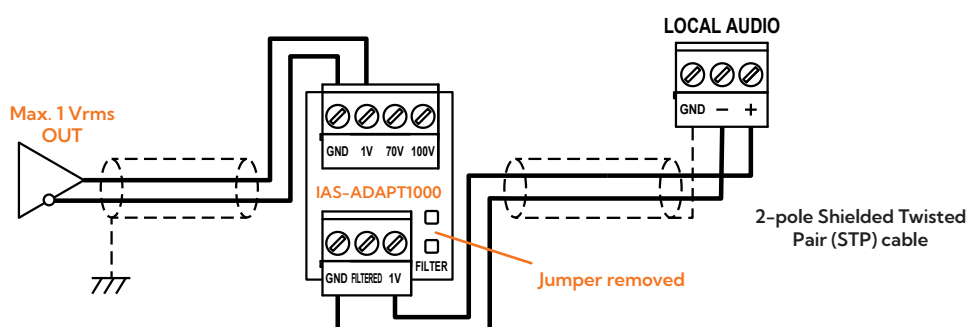
Note

The sum of the power of all the speakers connected to the module must be less than or equal to 250W.

Non balanced source



Balanced source



ORDER CODES

IFAMAMP	250W audio amplifier module for Previdia Ultra control panels (a module supplied already assembled in the Previdia Ultravox and Previdia Vox control panels)
IAS-ISOL1000	100V speaker line isolator module for ring connections
IAS-EOL1000	End of line for speaker line with total power less than 20W
IAS-ADAPT1000	Module for adapting and decoupling audio signals input into the control panel
IFAMAMP-FAN	Spare fan for IFAMAMP amplifier module



Evolving Protection

Via Dei Laboratori 10
63076 Montepandone (AP) – Italy
Tel. (+39) 0735 705007 – Fax (+39) 0735 704912

info@inim.it – www.inim.it