

DH-PFA124-B

Water-proof Junction Box



- Built of aluminum alloy.
- IP66 junction box.
- Contains cable outlets on its bottom and sides to make wiring more convenient.
- Matched with particular cameras, beautiful and elegant designed.



Series Overview

The Junction Box is beautifully designed and highly convenient. Cables can be organized in it and there are outlets at the bottom and side of the box, making it easy to install and use.

Scene

Ideal for mounting cameras, and works in temperatures ranging from -40°C to $+60^{\circ}\text{C}$ (-40°F to $+140^{\circ}\text{F}$) and in environments with a relative humidity of less than 90%.

Technical Specification

Structure

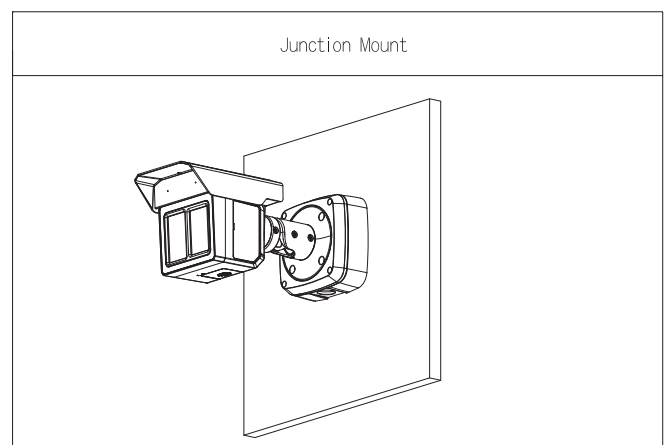
Casing Material	Aluminum alloy
Product Dimensions	134.0 mm × 133.4 mm × 52.0 mm (5.28" × 5.25" × 2.05") (L × W × H)
Appearance Color	Black
Net Weight	0.54 kg (1.19 lb)
Gross Weight	0.65 kg (1.43 lb)
Load Bearing	3.0 kg (6.61 lb)
Installation	Junction mount
Screw Thread Type	G3/4
Applicable Model	Please see "Camera Accessories Selection"

Packaging Dimensions	146.0 mm × 65.0 mm × 147.0 mm (5.75" × 2.56" × 5.79") (L × W × H)
Environment	
Protection	IP66
Operating Temperature	-40°C to $+60^{\circ}\text{C}$ (-40°F to $+140^{\circ}\text{F}$)
Operating Humidity	<90% (RH)
Storage Temperature	-40°C to $+60^{\circ}\text{C}$ (-40°F to $+140^{\circ}\text{F}$)
Storage Humidity	10%–90% (RH)
Anti-corrosion Level	Basic Protection

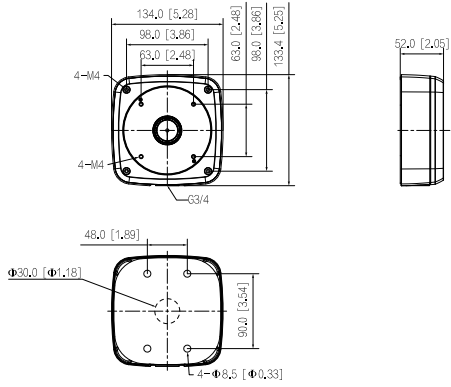
Ordering Information

Type	Model	Description
Camera Mount	DH-PFA124-B	Water-proof Junction Box

Installation



Dimensions (mm[inch])



Package Information

- Water-proof junction box × 1
- M4×10 screw × 4
- S3.0 wrench × 1
- ST6×45 screw × 4
- Plastic expansion bolt × 4
- Flat gasket × 4