

# DH-PFB602W

## Wall Mount Bracket



### Features

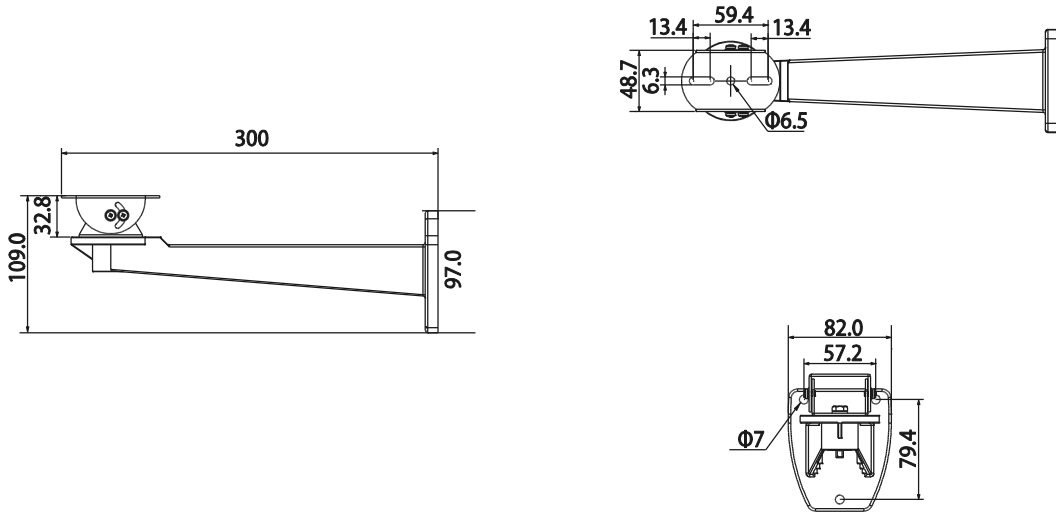
- Material: Aluminum
- Wall Mount Bracket
- Neat & Integrated design

### Specifications

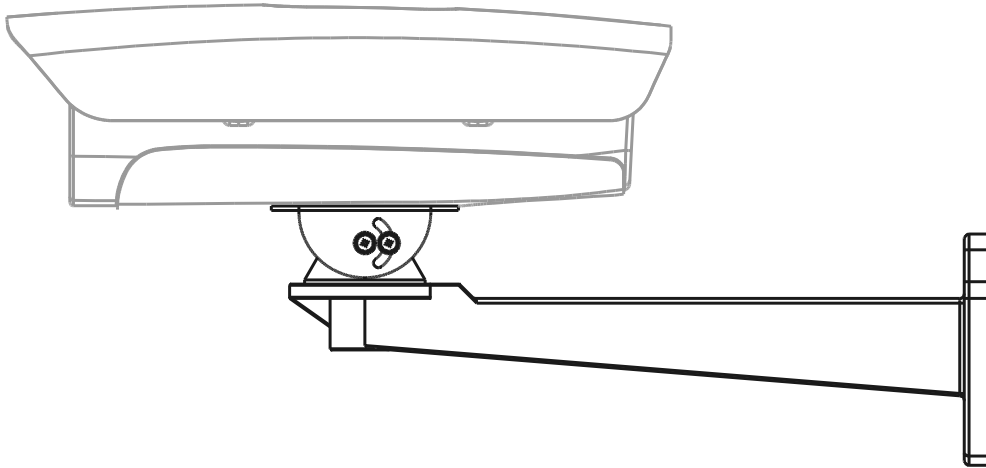
| Model                 | DH-PFB602W   |
|-----------------------|--|
| <b>General</b>        |  |
| Material              | Aluminum   |
| Dimension (W x H x D) | 109mm(W) x 300mm(H) x 82mm(D)  |
| Pipe Thread           | N/A  |
| Operating Temperature | -40°C ~60°C  |
| Humidity              | 0~90% RH   |
| Load Bearing          | 3.0Kg  |
| Weight                | 0.7kg  |
| Applicable Model      | PFH610N, PFH610N-IR, PFH610N-W, CA-FW480C, IPC-HFW3300, IPC-HFW5-IRA |

# DH-PFB602W

## Dimensions (mm)



## Application



### Dahua Technology Co., Ltd.

1187 BinAn Road, Binjiang District, Hangzhou, China

Tel: +86-571-87688883

Fax: +86-571-87688815

Email: [overseas@dahuatech.com](mailto:overseas@dahuatech.com)

[www.dahuasecurity.com](http://www.dahuasecurity.com)

\*Design and specifications are subject to change without notice.

© 2013 Dahua Technology Co., Ltd.