

DH-PFM522P-D1-IR

IR Illuminator



- Built with a die cast aluminum cover, it is highly durable and has a long lifespan.
- One-piece lens that provides balanced lighting and is elegantly designed.
- Explosion-proof.
- 12 VDC power supply.
- IP66 rated.
- Multiple installation methods including pole mount, plane mount and wall mount.



System Overview

The IR illuminator is a smart illuminator. You can control the on and off of the illuminator according to different scenarios. The illuminator uses an imported LED chip as the light source. With a precise optical design, the light intensity can be evenly and effectively distributed, and achieve the overall highlighting effect and provide professional supplementary light for video monitoring, vehicle and pedestrian detection and capture. The illuminator can be widely used in scenarios including parking lot, toll station, entrance and exit, and security checkpoint.

Functions

All-in-one Integrated Structure

With aluminum alloy built into its structure, the illuminator is both highly durable and has a long lifespan. It also supports multi-angle adjustment and has a die cast aluminum cover.

Remote Control through RS-485

The illuminator supports remote control through RS-485, making it great for use with remote control cameras.

Strong Environmental Adaptability

The illuminator works in temperatures between -30 °C to +70 °C (-22 °F to +158 °F), making it ideal for use in a wide variety of outdoor scenes.

Protection

Lightning protection supports 4 kV differential mode and 6 kV common mode.

Easy Installation

Supports multiple installation methods including pole mount, wall mount and plane mount.

Certification

CE approved.

Technical Specification

Protection

Vanda-proof	IK10
Protection	IP66
Surge Protection Grade	Common mode: ±6 kV; Different mode: ±4 kV

Basic

Light Source	LED
LED Quantity	20
View distance	15 m–50 m(49.21 ft–164.04 ft)
View angle	20°
Wavelength	850 nm
Brightness	10%–100% (continuously adjustable)
Enable Threshold	30 lux

Power

Rated Power	13 W
Power Supply	12 VDC

Port

RS-485	1
--------	---

Structure

Material	Aluminum alloy
Product Dimensions	186.4 mm × 160 mm × 31.5 mm (7.34" × 6.3" × 1.24") (L × W × H)
Color	White
Net Weight	0.76 kg (1.68 lb)

Illuminator Series | DH-PFM522P-D1-IR

Gross Weight	1.0 kg (2.20 lb)
Installation	Wall mount; pole mount; plane mount
Product Dimensions	242 mm × 210 mm × 84 mm (9.53" × 8.27" × 3.31") (L × W × H)
Packaging Dimensions	430 mm × 250 mm × 212.5 mm (16.93" × 9.84" × 8.37") (L × W × H)
Packaging Method	One package for each illuminator
Environment	
Operating Temperature	-30 °C to +70 °C (-22 °F to +158 °F)
Operating Humidity	0%–90% (RH), non-condensing
Storage Temperature	-30 °C to +70 °C (-22 °F to +158 °F)
Storage Humidity	10%–90% (RH), non-condensing
Certifications	
Certifications	CE LVD: EN 62368-1 CE EMC: EN55032 EN55024 EN55035 EN61000-3-2 EN61000-3-3 FCC: FCC part15B

Ordering Information		
Type	Model	Description
Illuminator	DH-PFM522P-D1-IR	IR Illuminator
Accessories (Optional)	PFB603W	Wall Mount Bracket
	PFA152-E	Pole Mount Bracket
	PFA162	Plane Mount Bracket

Accessories

Optional:



PFB603W
Wall Mount Bracket



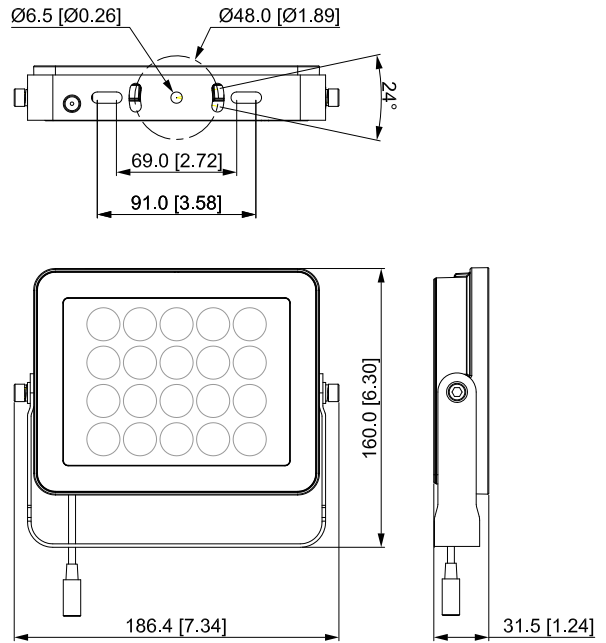
PFA152-E
Pole Mount Bracket



PFA162
Plane Mount Bracket

Wall Mount	Pole Mount	Plane Mount

Dimensions (mm[inch])



Package Information

- IR Illuminator *1
- Installation instruction *1