

# DH-SD29204DB-GNY

2MP 4x IR WizSense Network PTZ Camera



**Wiz Sense**

Launched by Dahua Technology, WizSense is a series of AI products and solutions that adopt independent AI chip and deep learning algorithm. It focuses on human and vehicle with high accuracy, enabling users to fast act on defined targets. Based on Dahua's advanced technologies, WizSense provides intelligent, simple and inclusive products and solutions.

## System Overview

Dahua WizSense PTZ camera adopts advanced deep learning algorithms to support perimeter protection with high accuracy. The camera is equipped with smooth control, high quality image, and good protection, meeting compact size demands of video surveillance applications.

## Functions

### SMD 3.0

Empowered by Deep-Learning Algorithms, Dahua SMD filters out motion detection alarms triggered by targets that are not a concern. It quickly recognizes humans and vehicles, triggering alarms when an intrusion occurs.

### Wide Dynamic Range

The camera produces vivid images, even in high-contrast lighting conditions, by using industry-leading wide dynamic range (WDR) technology. For scenes that quickly alternate between bright and low lighting, WDR adjusts to fully capture both the bright and dark areas of a scene, producing superior quality videos.

- 1/2.8" 2Megapixel CMOS.
- 4x optical zoom.
- Max. 25/30fps@1080P.
- IR distance up to 50 m.
- 4x optical zoom.
- WDR.
- SMD 3.0.
- Built-in Mic.
- PoE.



## Starlight Technology

For challenging low-light applications, Dahua's Starlight Ultra-low Light Technology offers best-in-class light sensitivity, capturing color details in low light down to 0.005 lux. The camera uses a set of optical features to balance light throughout the scene, resulting in clear images in dark environments.

## Smart H.265+

Smart H.265+ is the optimized implementation of the H.265 codec that uses a scene-adaptive encoding strategy, dynamic GOP, dynamic ROI, a flexible multi-frame reference structure and intelligent noise reduction to deliver high-quality videos without straining the network. Smart H.265+ technology outranks standard H.265 video compression, reducing bit rate and storage requirements by up to 70%.

**Technical Specification**

**Camera**

Image Sensor	1/2.8" CMOS
Pixel	2 MP
Max. Resolution	1920 (H) × 1080 (V)
ROM	128 MB
RAM	512 MB
Electronic Shutter Speed	1/1s–1/30,000s
Scanning System	Progressive
Min. Illumination	Color: 0.005 lux@F1.6 B/W: 0.0005 lux@F1.6 0 lux@F1.6 (IR light on)
Illumination Distance	50 m (164.04 ft) (IR)
Illuminator On/Off Control	Zoom Prio; Manual; Auto; Off
Illuminator Number	2 (IR)

**Lens**

Focal Length	2.8 mm–12 mm			
Max. Aperture	F1.6–F3.0			
Field of View	H: 101°–31.36°; V: 53.51°–17.72°; D: 120.51°–36.05°			
Optical Zoom	4×			
Focus Control	Auto; semi-auto; manual			
Close Focus Distance	1.5 m (4.92 ft)			
Iris Control	Fixed			
DORI Distance	Detect	Observe	Recognize	Identify
	171 m (561.02 ft)	67 m (219.82 ft)	34 m (111.55 ft)	17 m (55.77 ft)
	*DORI (Detect, Observe, Recognize, Identify) is a standard system (EN-62676-4) for defining the ability of a person viewing the video to distinguish persons or objects within a covered area. The numbers in this table do not reflect intelligent function distances. For intelligent function distances, refer to installation and commissioning manual/project design tool.			

**PTZ**

Pan/Tilt Range	Pan: 0° to 360° not endless Tilt: 0° to +90°
Manual Control Speed	Pan: 0.1°/s–100°/s Tilt: 0.1°/s–60°/s
Preset Speed	Pan: 100°/s; Tilt: 60°/s
Preset	300
Tour	8 (up to 32 presets per tour)
Pattern	5
Scan	5
Power-off Memory	Yes
Idle Motion	Pattern; Preset; Scan; Tour
PTZ Protocol	DH-SD4

**Intelligence**

IVS (Perimeter Protection)	Tripwire; intrusion; crossing fence detection; loitering detection; abandoned/missing object; fast moving; parking detection; people gathering; human alarm classification
Face Detection	Supports face detection, snapshot, and face enhancement; Supports face cutout: Face, one-inch photo; Capturing strategies include real-time capturing and quality first
SMD	Yes

**Video**

Video Compression	H.264H; H.264B; Smart H.265+; H.264; H.265; MJPEG (Sub Stream); Smart H.264+
Streaming Capability	3 streams
Resolution	1080p (1920 × 1080); 1.3M (1280 × 960); 720p (1280 × 720); D1 (704 × 576/704 × 480); VGA (640 × 480); CIF (352 × 288/352 × 240)
Video Frame Rate	Main stream: 1080p/1.3M/720p@(1-25/30 fps) Sub stream 1: D1/VGA/CIF@(1-25/30 fps) Sub stream 2: 1080p/1.3M/720p@(1-25/30 fps)
Bit Rate Control	CBR/VBR
Video Bit Rate	H264: 24 Kbps–8192 Kbps H265: 9 Kbps–5632 Kbps
Day/Night	ICR: Auto; color; B/W Electronic: Auto; color; B/W
BLC	Yes
WDR	120 dB
HLC	Yes
White Balance	Auto; indoor; outdoor; tracking; manual; sodium lamp; natural light; street lamp
Gain Control	Auto; manual; gain prio
Noise Reduction	2D NR; 3D NR
Motion Detection	Yes
Region of Interest (Rol)	Yes
Image Stabilization	Electronic (EIS)
Defog	Electronic
Digital Zoom	16 ×
Image Rotation	180°
S/N Ratio	≥ 55 dB

**Audio**

Audio Compression	G.711a; G.711Mu; G.726; MPEG2-Layer2; G.722.1; PCM
-------------------	--

**Network**

Network Port	RJ-45 (10/100 Base-T)
Network Protocol	FTP; RTMP; IPv6; Bonjour; IPv4; DNS; RTCP; PPPoE; NTP; RTP; 802.1x; HTTPS; SNMP; TCP/IP; DDNS; UPnP; NFS; ICMP; UDP; IGMP; SMB; HTTP; SSL; DHCP; SMTP; Qos; RTSP; ARP
Interoperability	CGI; SDK; ONVIF (Profile S&G&T); P2P
Streaming Method	Unicast/Multicast
User/Host	20 (total bandwidth: 64 M)

Storage	Micro SD card (512 GB); FTP/SFTP; NAS
Browser	IE 9 and later versions Chrome 41 and later versions Firefox 50 and later versions Safari 10 and later versions
Management Software	DMSS; DSS Pro
Mobile Client	iOS; Android
Certifications	
Certifications	CE: EN55032/EN 50130-4/EN 55035/EN61000-3-2/ EN61000-3-3
Port	
Audio Input	1 channel (LINE IN, bare wire,built-in mic (mutually exclusive))
Audio Output	1 channel (LINE OUT, bare wire)
Alarm Input	2 (on-off value input: 0–5 VDC)
Alarm Output	1
Alarm Linkage	Capture; recoding; send email; preset; tour; pattern; alarm digital output; audio
Alarm Event	Motion/Tampering detection; audio detection; network disconnection detection; IP conflict detection; memory card state detection; memory space detection; power exception detection
Power	
Power Supply	12 VDC, 2A ± 10% (optional) PoE (802.3af)
Power Consumption	Basic: 5 W Max: 10 W (illuminator+PTZ)
Environment	
Operating Temperature	–30 °C to +50 °C (–22 °F to +122 °F)
Operating Humidity	≤ 95%
Protection	6000V lightning proof; surge protection; voltage transient protection
Structure	
Product Dimensions	117.4 mm × Φ132.1 mm (4.62" × Φ5.20")
Net Weight	0.713 kg (1.57 lb)
Gross Weight	1.0 kg (2.20 lb)

### Ordering Information

Type	Model	Description
2MP WizSense PTZ Camera	DH-SD29204DB-GNY	2MP 4x IR WizSense Network PTZ Camera
	SD29204DB-GNY	2MP 4x IR WizSense Network PTZ Camera
Accessories (Optional)	DC 12 V/2A	Power Adapter
	TF-P100	MicroSD Memory Card
	PFA103 + PFB300S	Mount Adapter
	PFB302S + PFB300S	Wall Mount Bracket
	PFB300C	Ceiling Mount Bracket
	PFA150	Pole Mount Bracket
	PFA151	Corner Mount Bracket

### Accessories

#### Optional:



DC 12 V/2A  
Power Adapter



TF-P100  
MicroSD  
Memory Card



PFA103 + PFB300S  
Mount Adapter



PFB302S + PFB300S  
Wall Mount Bracket



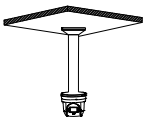
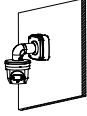
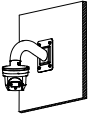
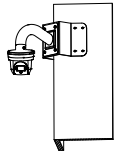
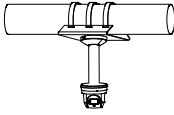
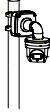

PFB300C  
Ceiling Mount Bracket



PFA150  
Pole Mount Bracket



PFA151  
Corner Mount  
Bracket

Ceiling Mount PFA103+PFB300C	Wall Mount PFA103+PFB302S	Wall Mount PFA103+PFB300S
		
Corner Mount PFA103+PFB300S+PFA151	Pole Mount (Horizontal) PFA103+PFB300C+PFA150	Pole Mount (Vertical) PFA103+PFB302S+PFA152-E
		
Ceiling Mount /		
		

**Dimensions (mm[inch])**

