

Datasheet

RX CUBE SIGNAL - 1-Relay Bluetooth Receiver

Product Description

The RX CUBE receiver is a Bluetooth-enabled superheterodyne radio receiver operating at 433.92 MHz in AM/ASK demodulation.

It is compatible with the full range of CDVI transmission solutions that utilise the KeeLoq® hopping code security protocol.

The receiver is programmed via Bluetooth. Parameters are set up and controlled using the RxCube smartphone app available on iOS and Android. Another app is also available for end users specifically (UserCube).

The receiver uses 12-24Vac/dc power supply with automatic power detection.



Key Features

- Bluetooth programmable receiver
- Memory capacity up to to 250 transmitters and 100 smartphones
- 1 relay
- KeeLoq® Hopping Code
- Easy to set up and program through the RxCube app
- No need to access the receiver once installed

 Certification

 DEEE

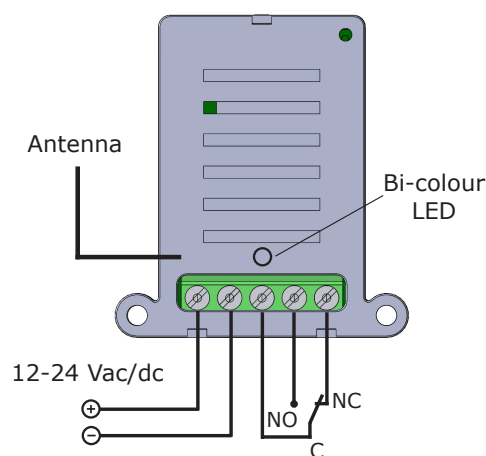
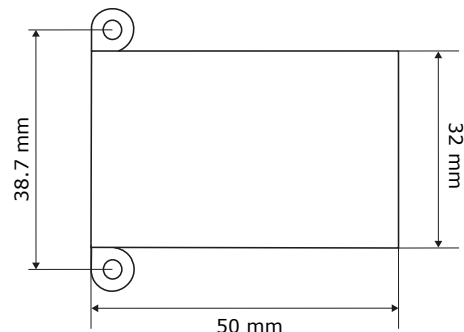
RoHS Certification

 IP2X

 -20°C to 70°C

Product Specifications

Material:	ABS
Technology:	Radio & Bluetooth
Type:	Superheterodyne
Operating mode:	Pulse, Latch, Timed
Frequency:	433.92MHz
Modulation:	AM/ASK
Encoding:	KeeLoq® Hopping code
Memory:	Up to 250 transmitters Up to 100 smartphone user codes
Release time:	1sec - 23h:59m:59s
Code combinations:	2^{64}
Relays:	1
Contacts:	C/NO/NC
Weight:	0.03 kg



Electrical Specifications

Power supply:	12-24Vac/dc (autodetect)
Max power on output:	1A @ 24V
Consumption:	78mA @ 12Vac (500mA @ power up)

RxCube App

The set up of the receiver can only be done through the RxCube app.

1. Download the app by scanning the QR Code.
2. Allow the app to use your smartphone's Bluetooth.
3. Authorise the GPS localisation to allow full operation of the Bluetooth

Download the app now!

