

Industrial 8-Port Gigabit PoE+ 2-Port 1G/2.5G SFP L2 Managed Ethernet Switch

Quick Installation Guide

Packing List

Please check the following items after unpacking, if any missing, please contact your local dealer.

Items	Quantity
Switch	1 pc
Mounting Accessory	1 set
Quick Installation Guide	1 pc

Product Overview

The product is Industrial 8-Port Gigabit PoE+ 2-Port 1G/2.5G SFP L2 Managed Ethernet Switch.

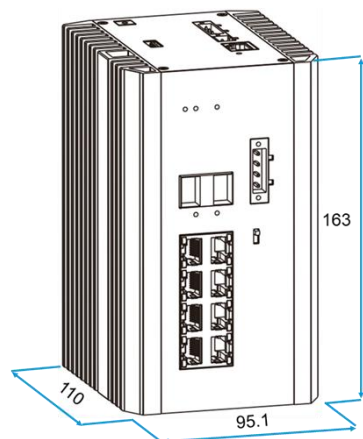
The switch provides 8*10/100/1000Mbps Ethernet RJ-45 ports, 2*1G/2.5Gbps SFP uplink ports. All downlink RJ-45 ports support Power-over-Ethernet (PoE), which can deliver up to 45W power per port. It can be set by software to deliver up to 90W power for port 1, disabled PoE function for port 2 at the same time, and deliver up to 45W power for ports 3 to 8 each. It meets IEEE 802.3af/at/bt standard.

The switch supports PoE watchdog features, which can detect and restart the camera automatically if it stops working. It supports the Q-PoE (Quick PoE) technology, which enables PoE power supply immediately upon switch startup without waiting for switch system software control. It supports the P-PoE (Perpetual PoE) technology, which enables PoE power supply without interruption when switch is restarting and restores the network quickly.

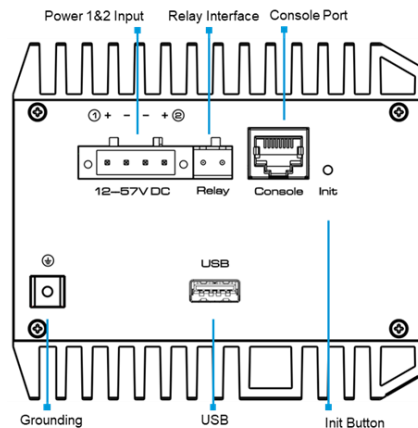
The switch has extensive L2 management functions, such as 802.1Q VLAN, 802.1p QoS, SNMP, Fast-Ring, and PoE control. It can be easily managed via a WEB GUI (<http/https>), CLI (<telnet/ssh/console>) or SNMP. The switch supports 12 to 57V DC wide voltage inputs and is designed for high availability applications. It can be widely used in video security monitoring systems, network projects, etc.

Appearance and Dimensions

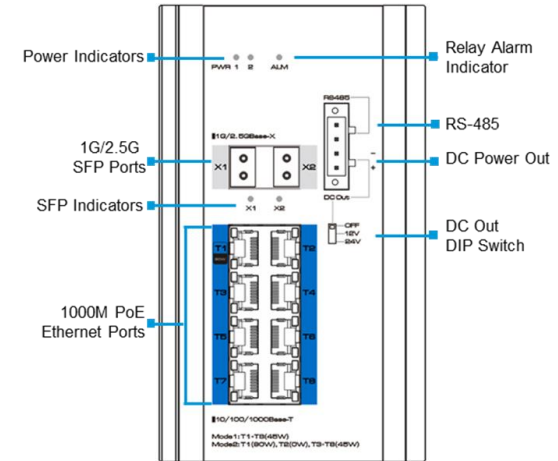
Dimensions (mm)



Side Panel



Front Panel



Indicator

Indicator		Color	Status	Description
PWR1,2	Power indicator	Red	Solid On	Power supply is on.
			Off	Power supply is off.
ALM	Alarm indicator	Red	Solid On	The device alarms.
			Off	The device is working normally.
X1,X2	SFP port indicator	Green	Solid On	SFP port is linking normally.
			Blink	SFP port is transmitting or receiving data.
			Off	SFP port is linking down.

DC Out DIP Switch

The DC Out supports 3 working modes through DIP switch: OFF/12V/24V.

Factory Settings

The switch starts with its factory settings:

Item	Specifications
Console Port	Baud rate: 115200 bit/s Flow control: None Parity: None Stop bits: 1 Data bits: 8
Web Manager	Default IP address/subnet mask: 192.168.1.200/255.255.255.0 User/Password: admin/admin

Init Button

The init button has two operating modes:

- By short pressing the button, the switch will be reset and the configuration is as previous setting saved.
- By pressing the button over 5s, the switch will be restored to the original factory default setting.

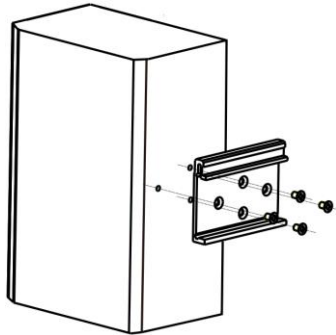
Caution

- Power on the system only after confirming that the wiring is correct, to avoid damage to the equipment. It is recommended to use the power adapter and power cable in the package to connect the power supply.
- For better transmission performance, it is recommended to use high-performance Ethernet cable to connect the switch and powered devices.
- For better protection performance, it is recommended to always make the ground connection first and disconnect it at the end when operating the device.
- Before operating or maintaining the switch, please read the user manual carefully to avoid equipment damage caused by misoperation.

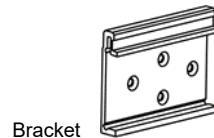
Product Installation

- Before installation, power off the equipment. Installation when device is powered on is prohibited.
- The switch supports rack/desktop/wall mounted installation. Following with the rack-mounted installation steps:

Step a: Fix the bracket to the backside of the device with screws.



Accessories

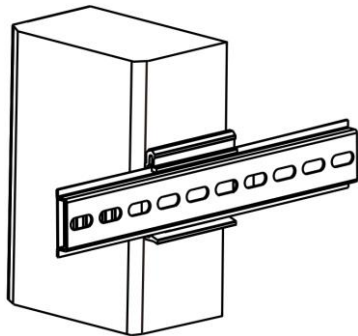


Bracket



Screw

Step b: Install the device to the DIN rail.



- After the above steps are completed, connect the switch and other equipment using a high-performance Ethernet cable.
- Check the installation and the wiring, after confirming that the connection is correct and reliable, power on the switch.

The installation is completed.

Specifications

Item	
Hardware Specifications	
Ethernet Ports	8*10/100/1000BASE-T PoE RJ-45(Auto-MDI/MDI-X) 2*1G/2.5GBASE-X SFP (The default value is 1G)
Management Ports	1*RJ-45 Console 1*Relay
Serial Port	1*RS-485 RS-485 signal: D+, D- Check bit: None, Even, Odd, Space, Mark Data bit: 5, 6, 7, 8bit Stop bit: 1, 1.5, 2bit Baud rate: 300~115200bps Load capacity: RS-485 port supports 32-point polling environment (128-point could be customized) Direction control: RS-485 adopts automatic data flow control technology
USB Port	USB3.0
Auxiliary DC Output	OFF/12V/24V@2A max
Init Button	Short press to restart the device, Long press >5s to initialize the system
LED Indicators	2*PWR, power indicators 1*ALM, alarm indicator 2*SFP port indicators
Dimensions (W*D*H)	163mm*110mm*95.1mm
Net Weight	1.72kg
Input Voltage	Support redundant power supply, Power 1 (Main): 12~57V DC, Power 2 (Backup): 12~57V DC
Power Consumption	≤250W (Full load including PoE & auxiliary DC)
Installation	DIN-rail/Desktop/Wall mounted
Material	Metal shell
Switch Property	
Forwarding Modes	Store and Forward
Switching Capacity	26Gbps / non-blocking
Packet Forwarding Rate	19.344Mpps
MAC Table	16k, support auto learning
Port Buffer	2MB
Jumbo Frame	9kB
Power Supply	
PoE Standard	IEEE 802.3af/at/bt
PoE Power Supply Type	End-span
PoE Pin Assignment	1/2(+),3/6(-) or 3/6/4/5(+), 1/2/7/8(-)
PoE Budget	Mode1: 45W max for each port Mode2: 90W max for port 1, disabled PoE function for port 2, 45W max for ports 3 to 8 each. 240W@48V, 120W@24V, 60W@12V max for whole switch (Including auxiliary DC output)
Reliability	
ESD	IEC61000-4-2, Level 3: Contact Discharge: ±6kV, Air Discharge: ±8kV
Surge Protection	IEC61000-4-5, Data Port: ±6kV
Operating	-40°C ~75°C, 5%~95% (Non-condensation)
Storage	-40°C ~85°C, 5%~95% (Non-condensation)
Certifications	
Certifications	CE, FCC

Version: V1.0, updated 2023-03-20.

The information in this document is subject to change without notice.

Every effort has been made in the preparation of this document to ensure accuracy of the contents, but all statements, information, and recommendations in this document do not constitute a warranty of any kind, express or implied.